

PELLET STOVES AND INSERTS BY



THE GREAT INDOORS



HARD WORKING HEAT

Because that's the only way to work.

The toughest jobs are often the most rewarding. And at the end of every day, that's what matters.

Hard work inspired the IronStrike brand. The IronStrike name signifies a product that is made to perform, built to last a lifetime and as efficient as you are. It's our way of making life simpler and a lot more enjoyable. Because coming home should be the easy part.

So go ahead—make yourself comfortable. You've earned it.



Painted Black Bella™ shown with Traditional brick panel kit and Beatrice Soapstone stone inset panels.









BIG WARMTH, SMALL FUEL COST

Like all IronStrike products, this collection was made to work harder. Our pellet stoves and pellet insert burn hotter using inexpensive fuel - and less of it. In fact, a single load of pellets can provide up to 40 hours of continuous warmth. Now that's economical.

EFFICIENCY, MEET WARMTH.



Bella™ shown with Painted Black finish, Traditional brick panel kit and Beatrice Soapstone stone inset panels.



BELLA

The Bella™ pellet stove transcends time with a stunning design that fuses contemporary lines with traditional curves. The Bella uses premium technological features—such as an innovative LCD screen that displays the stove's operating mode—allowing easy, uncomplicated operation.

HEATING CAPACITY: 900 - 2,000 square feet

BTU INPUT: 15,300 - 43,000 BTUs/hour

HEAT TRANSFER EFFICIENCY: 81%

Painted Black Bella™ shown with Traditional brick panel kit and Beatrice Soapstone stone inset panels.

LIKE WHAT YOU SEE?
Visit us online at IronStrike.us.com



Available as a stove or insert, the Winslow™ delivers inviting, efficient and reliable heat in an attractive unit that can be customized to complement your home décor. Ease of use and serviceability are designed right into the Winslow with convenient features and Smart Heat™ technology provides the ultimate in precision heating and comfort control.

WINSLOW PS40

The Winslow™ offers powerful, efficient, and fully automatic heating with a variety of design and convenience features to complement your home.

HEATING CAPACITY: 900 - 2,000 square feet

BTU INPUT: 39,500 - BTUs/hour

EFFICIENCY: 87.3%

Winslow™ shown with Gold trim and Gold grille.



WINSLOW PI40

The Winslow™ pellet insert delivers inviting and reliable heat in an attractive style that can be customized to complement any home.

HEATING CAPACITY: 900 - 2,000 square feet

BTU INPUT: 37,800 - BTUs/hour

EFFICIENCY: 87.3%

Winslow™ shown with Brush Nickel trim finish and Brushed Nickel grille.





MONTAGE

This stove is the ultimate in modern comfort—beauty, efficiency and, above all, performance. The Montage™ effectively burns standard-grade fuel, saving expense while delivering dependable, low-maintenance heat.

HEATING CAPACITY: 900 - 1,800 square feet

BTU INPUT: 32,000 BTUs/hour

EFFICIENCY: 82%

Montage™ shown with Contemporary trim kit.



LIKE WHAT YOU SEE?
Visit us online at IronStrike.us.com

CUSTOMIZE YOUR STOVE

OPTIONAL ACCESSORIES

BELLA

Choose a decorative stone inset panel.

Beatrice Soapstone insert panel



Gallo Veneziano insert panel



Tan Brown insert panel



Choose a Traditional brick panel kit or the decorative log set to custom your stove.

Traditional Brick Liner



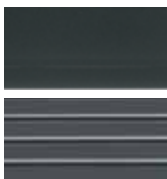
Decorative Log Set



WINSLOW PS40 (PELLET STOVE) AND WINSLOW PI40 (PELLET INSERT)

Mix and match door and grille finishes to create a unique look.

Black



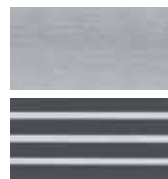
Nickel



Gold



Brushed nickel



Black nickel



Choose a brick panel or the decorative log set.

Brick Liner



Log Set



This option only applies to the Winslow PI40 Pellet Insert. Choose a Surround size based on your existing fireplace then a Trim finish.

Surround Sizes

41" W X 29"H

48" W X 29"H

41" W X 33"H

48" W X 33"H

Trim Finish



Black

Nickel

Gold

MONTAGE

Choose from four Trim kits to create the perfect stove.

Arch

Artisan

Contemporary

Cast-iron Gothic Arch



Choose an optional log set to create the look you desire.



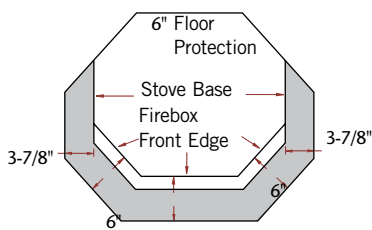
CLEARANCES FOR PELLET STOVES AND PELLET INSERT

DIMENSIONS

	Bella	Winslow PS40	Winslow PI40	Montage	Cascade
A = Width	24-7/8"	26-1/4"	26-1/4"	23"	22-1/2"
B = Height	34"	31"	23-3/8"	28-3/8"	28-11/16"
C = Depth	26"	23-1/4"	29-3/4"	21-3/4"	23-1/8"

HEARTH PROTECTION

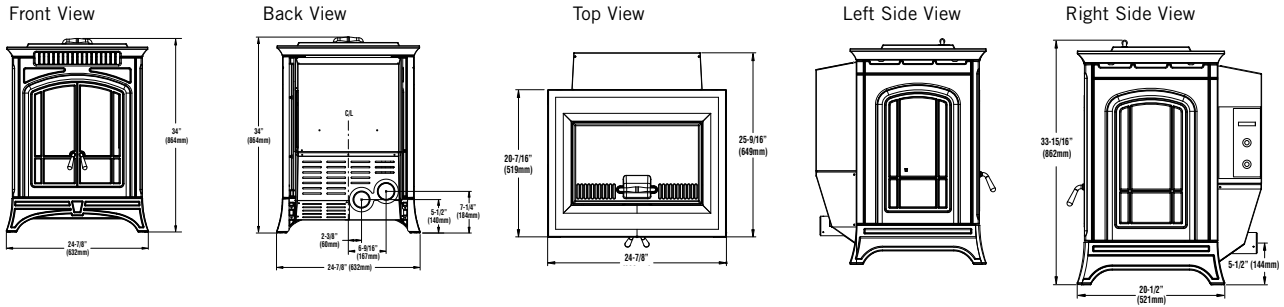
Minimum Floor Protection for Winslow PS40



SPECIFICATIONS

BELLA™

This appliance must be installed in accordance with local building codes. In corner installations, the minimum clearances to side walls vary depending on whether the vent goes through the left or right wall.

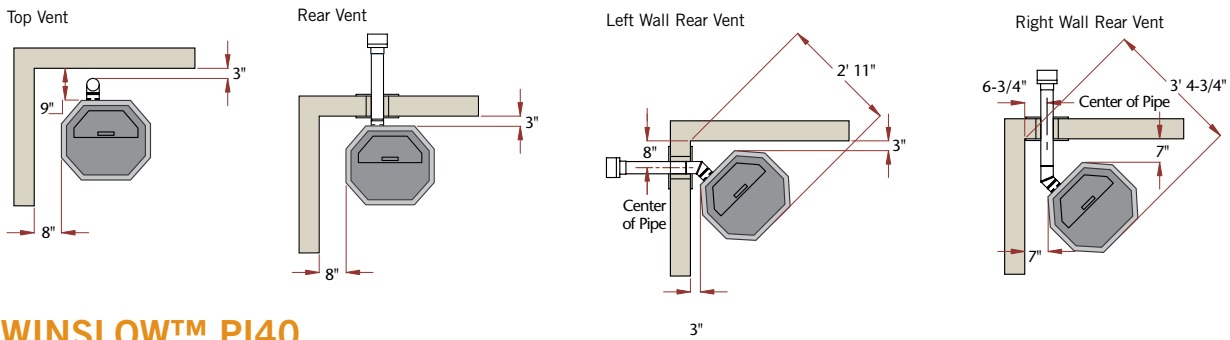


WINSLOW™ PS40

This appliance must be installed in accordance with local building codes. In corner installations, the minimum clearances to side walls vary depending on whether the vent goes through the left or right wall.

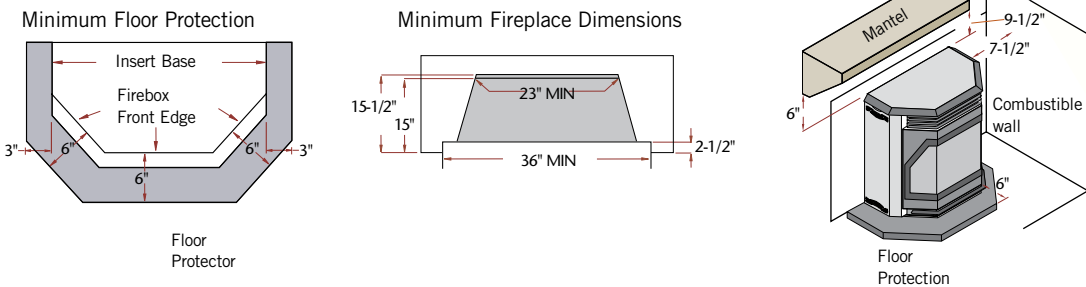
SIDE WALL/BACK WALL Fig. 1

CORNER Fig. 2



WINSLOW™ PI40

Allowing larger clearances will increase accessibility for ease of maintenance and cleaning.

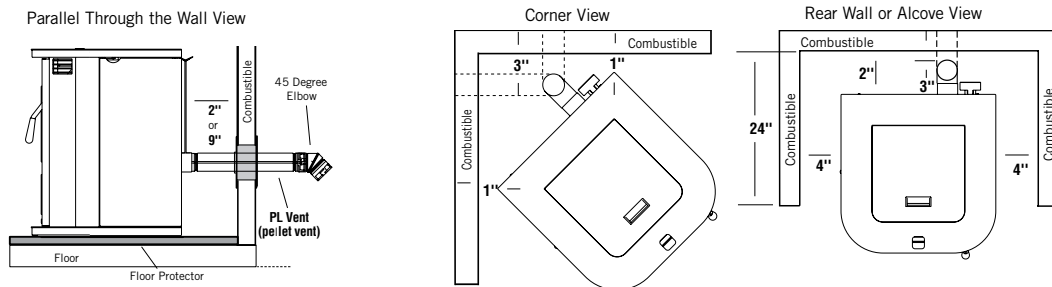


MONTAGE™

Minimum clearances specified may not allow for ease of operation and maintenance. Please keep this in mind when considering the installation.

SIDE WALL/BACK WALL Fig. 1

CORNER Fig. 2



**SEEKING THE
RIGHT STOVE
FOR THE
JOB? YOU'RE
GETTING
WARMER.**





© 2015 Innovative Hearth Products

785489M 02/15

Visit us online



IronStrike.us.com

