



# Regency Ultimate™ U1500E Gas Fireplace

Owners &  
Installation Manual

MODELS: U1500E-NG Natural Gas  
U1500E-LP Propane



[www.regency-fire.com](http://www.regency-fire.com)

## **⚠ WARNING**

### **FIRE OR EXPLOSION HAZARD**

Failure to follow safety warnings exactly could result in serious injury, death, or property damage.

- Do not store or use gasoline or other flammable vapors and liquids in the vicinity of this or any other appliance.
- **WHAT TO DO IF YOU SMELL GAS**
  - Do not try to light any appliance.
  - Do not touch any electrical switch: do not use any phone in your building. Leave the building immediately.
  - Immediately call your gas supplier from a neighbour's phone. Follow the gas supplier's instructions.
  - If you cannot reach your gas supplier, call the fire department.
- Installation and service must be performed by a qualified installer, service agency or the gas supplier.

Tested by:



**Installer:** Please complete the details on the back cover and leave this manual with the homeowner.

**Homeowner:** Please keep these instructions for future reference.

## MANUFACTURED MOBILE HOME REQUIREMENTS

### INFORMATION FOR MOBILE/MANUFACTURED HOMES AFTER FIRST SALE

This Regency® product has been tested and listed by Warnock Hersey/Intertek as a Direct Vent Wall Furnace to the following standards: VENTED GAS FIREPLACE HEATERS ANSI Z21.88-2016 / CSA 2.33-2016 and GAS-FIRED APPLIANCES FOR USE AT HIGH ALTITUDES CAN / CGA 2.17-M91.

This appliance may only be installed in an aftermarket permanently located, manufactured home (U.S.A only) or mobile home, where not prohibited by local codes.

This Direct Vent System Appliance must be installed in accordance with the manufacturer's installation instructions and the Manufactured Home Construction and Safety Standard, Title 24 CFR, Part 3280, or the current Standard of Fire Safety Criteria for Manufactured Home Installations, Sites, and Communities ANSI/NFPA 501A, and with CAN/CSA Z240-MH Mobile Home Standard in Canada.

This appliance installation must comply with the manufacturer's installation instructions and local codes, if any. In the absence of local codes follow the current National Fuel Gas Code, ANSI Z223.1 and the current National Electrical Code ANSI/NFPA 70 in the U.S.A., and the current CAN/CGA B149 Gas Installation Code and the current Canadian Electrical Code CSA C22.1 in Canada.

This appliance comes equipped with a dedicated #8 Ground Lug for attachment of the ground wire to the steel chassis as applicable to local codes.

The appliance, when installed, must be electrically grounded in accordance with local codes or, in the absence of local codes, with the National Electrical Code, ANSI/NFPA 70, or the Canadian Electrical Code, CSA C22.1.

This appliance is only for use with the type of gas indicated on the rating plate. This appliance is not convertible for use with other gases unless a certified kit is used.

Ensure that structural members are not cut or weakened during installation.

This appliance may be installed as an OEM installation in a manufactured home (USA only) or mobile home and must be installed in accordance with the manufacturer's instruction and the *Manufactured Home Construction and Safety Standard, Title 24 CFR, Part 3280*, in the United States, or the Standard for Installation in Mobile Homes, *CAN/CSA Z240 MH*, in Canada.




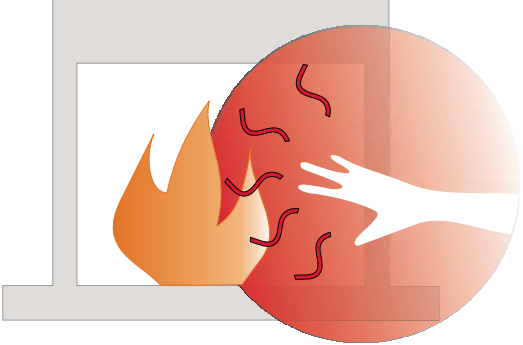
We recommend that our products be installed and serviced by professionals who are certified in the U.S. by the National Fireplace Institute® (NFI) or in Canada by Wood Energy Technical Training (WETT).



**To the New Owner:**

Congratulations!

You are the owner of a state-of-the-art Gas Fireplace by REGENCY®. The U1500E has been designed to provide you with all the warmth and charm of a fireplace at the flick of a switch. The model U1500E has been approved by Warnock Hersey/Intertek for both safety and efficiency. As it also bears our own mark, it promises to provide you with economy, comfort and security for many trouble free years to follow. Please take a moment now to acquaint yourself with these instructions and the many features of your Regency® Fireplace.

|  |  |
|--|--|
|  <h1 style="margin: 0;">DANGER</h1>   |  |
|    | <p><b>HOT GLASS WILL<br/>CAUSE BURNS</b></p> <p><b>DO NOT TOUCH GLASS<br/>UNTIL COOLED</b></p> <p><b>NEVER ALLOW CHILDREN<br/>TO TOUCH GLASS</b></p> |
| <p>A barrier designed to reduce the risk of burns from the hot viewing glass is provided with this appliance and shall be installed for the protection of children and other at risk individuals.</p>  |  |
| <p><b>CAUTION:</b><br/>HOT WHILE IN OPERATION. DO NOT TOUCH.<br/>SEVERE BURNS MAY RESULT. KEEP CHILDREN, CLOTHING, FURNITURE,<br/>GASOLINE, AND ANY LIQUIDS WITH FLAMMABLE VAPOURS AWAY.</p> <p>KEEP BURNER AND CONTROL COMPARTMENT CLEAN.<br/>SEE INSTALLATION AND OPERATING INSTRUCTIONS ACCOMPANYING<br/>APPLIANCE.</p> |  |
| <small>919-358</small>   |  |

# table of contents


|   |    |  |    |
|---|----|--|----|
| Copy of Safety Decal .....                            | 5  | 5" x 8" venting.....                                     | 32 |
| MA Code - CO Detector .....                           | 6  | Gas Line Installation .....                              | 32 |
| <b>Dimensions</b>                                     |    | High Elevation.....                                      | 33 |
| Unit dimensions .....                                 | 7  | Gas Line .....   | 33 |
| Unit with faceplate dimensions .....                  | 8  | Installation .....                                       | 33 |
|   |    | Pilot Adjustment.....                                    | 33 |
| <b>Installation</b>                                   |    | Gas Pipe Pressure Testing .....                          | 33 |
| Important Message .....                               | 9  | 885 S.I.T. Valve Description .....                       | 33 |
| Before You Start.....                                 | 9  | Aeration Adjustment .....                                | 36 |
| General Safety Information.....                       | 9  | Wiring Diagram.....                                      | 37 |
| Installation Checklist.....                           | 10 | Log set installation.....                                | 38 |
| Locating Your Gas Fireplace.....                      | 10 | Front trim & deflector removal / Installation .....      | 40 |
| Heatwave Duct System .....                            | 10 | Inner panel removal / Installation.....                  | 40 |
| Clearances .....                                      | 11 | Screen & inner Door frame Installation.....              | 41 |
| Mantel Clearances.....                                | 12 | Faceplate and deflector installation .....               | 42 |
| Mantel Leg Clearances.....                            | 12 | Optional finishing trim installation .....               | 43 |
| Unit Assembly Prior To Installation .....             | 13 | First Fire .....   | 44 |
| Nailing Strips.....                                   | 13 |  |    |
| Installation Access panel .....                       | 13 | <b>Operating Instructions</b>                            |    |
| Framing Dimensions.....                               | 14 | Operating Instructions .....                             | 44 |
| Horizontal vent deflector installation.....           | 15 | Coding/Pairing of remote control transmitter with on/off |    |
| Optional framing kit INSTALLATION.....                | 16 | switch.....  | 44 |
| Wall mount On / Off Switch and battery holder         |    | Lighting Procedure .....                                 | 45 |
| installation.....                                     | 17 | Shutdown Procedure .....                                 | 45 |
| Non-Combustible Requirements.....                     | 18 | Copy of the Lighting Plate Instructions .....            | 46 |
| Non-combustible facing installation .....             | 18 | Normal Operating Sounds of                               |    |
| Framing & Finishing.....                              | 19 | Gas Appliances .....                                     | 47 |
| Exterior Vent Termination Requirements .....          | 21 |  |    |
| Vent Restrictor Setting.....                          | 22 | <b>Maintenance</b>                                       |    |
| Horizontal Terminations .....                         | 23 | Maintenance Instructions .....                           | 47 |
| Flex Vent 5" x 8" .....                               | 23 | Glass Gasket.....  | 48 |
| 5" x 8" Rigid Pipe .....                              | 24 | Glass Door.....  | 48 |
| Cross Reference Chart only .....                      | 24 | Glass Replacement .....                                  | 48 |
| Rigid Pipe Venting Systems.....                       | 26 | General Vent   |    |
| Basic Horizontal & Vertical Terminations .....        | 26 | Maintenance .....  | 48 |
| Venting Introduction.....                             | 27 | Fan Service .....  | 49 |
| Venting Arrangement for Horizontal Terminations ..... | 27 | Glass door removal .....                                 | 50 |
| Venting Arrangement for Vertical Terminations .....   | 28 | Valve Tray Replacement .....                             | 51 |
| Unit Installation with Horizontal Termination .....   | 31 |  |    |
| 5" x 8" venting.....                                  | 31 | <b>Parts</b>   |    |
| Unit installation with Vertical Termination.....      | 32 | Main Assembly .....                                      | 52 |
|   |    | Accessories .....  | 54 |
|   |    |  |    |
|   |    | <b>Warranty</b>  |    |
|   |    | Warranty.....  | 56 |

This is a copy of the label that accompanies each U1500E-NG and U1500E-LP Direct Vent Gas Fireplace. We have printed a copy of the contents here for your review.

**NOTE:** Regency® units are constantly being improved. Check the label on the unit and if there is a difference, the label on the unit is the correct one.

**COPY OF SAFETY DECAL**

Duplicate S/N
456




**Intertek**  
4001172

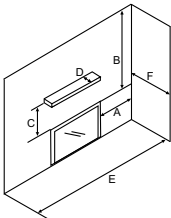
**Listed/Nom:** VENTED GAS FIREPLACE HEATER / FOYER AU GAZ À ÉVACUATION **DO NOT REMOVE THIS LABEL / NE PAS ENLEVER CETTE ÉTIQUETTE**

**Certified for/Certifiée pour:** CANADA and U.S.A.  
**Tested to:** CAN/CGA-2.17-M91(2014)  
**Conforms to:** ANSI Z21.88-2016  
**Certified to:** CSA 2.33-2016

**MAY BE INSTALLED IN MANUFACTURED (MOBILE) HOMES AFTER FIRST SALE.**



Serial No./ No de Série  
**456**

| <p><b>NATURAL GAS: Model U1500E-NG</b></p> <table border="0" style="width: 100%;"> <tr><td>Minimum supply pressure</td><td>50"</td><td>WC/C.E. (125 kPa)</td></tr> <tr><td>Manifold pressure - High</td><td>3.5"</td><td>WC/C.E. (0.87 kPa)</td></tr> <tr><td>Manifold pressure - Low</td><td>1.6"</td><td>WC/C.E. (0.40 kPa)</td></tr> <tr><td>Orifice size</td><td>#30</td><td>DMS</td></tr> <tr><td>Maximum input</td><td>43,000</td><td>Btu/h (12.6 kW)</td></tr> <tr><td>Minimum input</td><td>29,000</td><td>Btu/h (8.49 kW)</td></tr> <tr><td>Altitude</td><td>0-4500</td><td>ft/pi (0-1372 m)</td></tr> </table> | Minimum supply pressure | 50"                | WC/C.E. (125 kPa) | Manifold pressure - High | 3.5" | WC/C.E. (0.87 kPa) | Manifold pressure - Low | 1.6" | WC/C.E. (0.40 kPa) | Orifice size | #30 | DMS | Maximum input | 43,000 | Btu/h (12.6 kW) | Minimum input | 29,000 | Btu/h (8.49 kW) | Altitude | 0-4500 | ft/pi (0-1372 m) | <p><b>APPAREIL FONCTIONNANT AU GAZ NATUREL<br/>CONÇU POUR FOYER : Modèle U1500E-NG</b></p> <p>Pression d'alimentation minimum<br/>         Pression de sortie (manifold) - Haute<br/>         Pression de sortie (manifold) - Basse<br/>         Taille de l'orifice<br/>         Débit Calorifique maximum<br/>         Débit Calorifique minimum<br/>         Altitude</p> | <p><b>Minimum Clearances to Combustibles /<br/>Dégagement minimum des matériaux combustibles</b></p>  <p><b>Side Walls / Murs latéraux</b><br/>A 6" (152 mm)<br/> <b>Ceiling / Plafond</b><br/>B 46-1/4" (1175 mm)<br/> <b>Min. Mantel Height/Hteur Min<br/>Manteau</b><br/>C 25" (635 mm)<br/> <b>Max. Mantel Depth/Profondeur<br/>Max Manteau</b><br/>D 12" (305 mm)<br/> <b>Alcove Width/Largeur Alcôve</b><br/>E 60" (1524 mm)<br/> <b>Alcove Depth/Profondeur Alcôve</b><br/>F 36" (2134 mm)<br/> <small>(See Instruction Manual for<br/>detailed instructions)<br/>(Voir Manuel pour plus de détails)</small></p> <div style="border: 1px solid black; padding: 5px; width: fit-content; margin: 10px auto;"> <p><b>DOOR SEAL: Please<br/>check that the door is<br/>properly sealed</b></p> </div> |
|--|-------------------------|--------------------|-------------------|--------------------------|------|--------------------|-------------------------|------|--------------------|--------------|-----|-----|---------------|--------|-----------------|---------------|--------|-----------------|----------|--------|------------------|--|--|
| Minimum supply pressure  | 50"                     | WC/C.E. (125 kPa)  |                   |                          |      |                    |                         |      |                    |              |     |     |               |        |                 |               |        |                 |          |        |                  |  |  |
| Manifold pressure - High   | 3.5"                    | WC/C.E. (0.87 kPa) |                   |                          |      |                    |                         |      |                    |              |     |     |               |        |                 |               |        |                 |          |        |                  |  |  |
| Manifold pressure - Low  | 1.6"                    | WC/C.E. (0.40 kPa) |                   |                          |      |                    |                         |      |                    |              |     |     |               |        |                 |               |        |                 |          |        |                  |  |  |
| Orifice size   | #30                     | DMS                |                   |                          |      |                    |                         |      |                    |              |     |     |               |        |                 |               |        |                 |          |        |                  |  |  |
| Maximum input  | 43,000                  | Btu/h (12.6 kW)    |                   |                          |      |                    |                         |      |                    |              |     |     |               |        |                 |               |        |                 |          |        |                  |  |  |
| Minimum input  | 29,000                  | Btu/h (8.49 kW)    |                   |                          |      |                    |                         |      |                    |              |     |     |               |        |                 |               |        |                 |          |        |                  |  |  |
| Altitude   | 0-4500                  | ft/pi (0-1372 m)   |                   |                          |      |                    |                         |      |                    |              |     |     |               |        |                 |               |        |                 |          |        |                  |  |  |
| <p><b>PROPANE GAS: Model U1500E-LP</b></p> <table border="0" style="width: 100%;"> <tr><td>Minimum supply pressure</td><td>11"</td><td>WC (2.73 kPa)</td></tr> <tr><td>Manifold pressure - High</td><td>10"</td><td>WC/C.E. (2.49 kPa)</td></tr> <tr><td>Manifold pressure - Low</td><td>6.4"</td><td>WC/C.E. (1.60 kPa)</td></tr> <tr><td>Orifice size</td><td>#48</td><td>DMS</td></tr> <tr><td>Maximum input</td><td>42,000</td><td>Btu/h (12.3kW)</td></tr> <tr><td>Minimum input</td><td>33,500</td><td>Btu/h (9.82 kW)</td></tr> <tr><td>Altitude</td><td>0-4500</td><td>ft/pi (0-1372 m)</td></tr> </table>       | Minimum supply pressure | 11"                | WC (2.73 kPa)     | Manifold pressure - High | 10"  | WC/C.E. (2.49 kPa) | Manifold pressure - Low | 6.4" | WC/C.E. (1.60 kPa) | Orifice size | #48 | DMS | Maximum input | 42,000 | Btu/h (12.3kW)  | Minimum input | 33,500 | Btu/h (9.82 kW) | Altitude | 0-4500 | ft/pi (0-1372 m) | <p><b>APPAREIL FONCTIONNANT AU GAZ PROPANE<br/>CONÇU POUR FOYER : Modèle U1500E-LP</b></p> <p>Pression d'alimentation minimum<br/>         Pression de sortie (manifold) - Haute<br/>         Pression de sortie (manifold) - Basse<br/>         Taille de l'orifice<br/>         Débit Calorifique maximum<br/>         Débit Calorifique minimum<br/>         Altitude</p> |  |
| Minimum supply pressure  | 11"                     | WC (2.73 kPa)      |                   |                          |      |                    |                         |      |                    |              |     |     |               |        |                 |               |        |                 |          |        |                  |  |  |
| Manifold pressure - High   | 10"                     | WC/C.E. (2.49 kPa) |                   |                          |      |                    |                         |      |                    |              |     |     |               |        |                 |               |        |                 |          |        |                  |  |  |
| Manifold pressure - Low  | 6.4"                    | WC/C.E. (1.60 kPa) |                   |                          |      |                    |                         |      |                    |              |     |     |               |        |                 |               |        |                 |          |        |                  |  |  |
| Orifice size   | #48                     | DMS                |                   |                          |      |                    |                         |      |                    |              |     |     |               |        |                 |               |        |                 |          |        |                  |  |  |
| Maximum input  | 42,000                  | Btu/h (12.3kW)     |                   |                          |      |                    |                         |      |                    |              |     |     |               |        |                 |               |        |                 |          |        |                  |  |  |
| Minimum input  | 33,500                  | Btu/h (9.82 kW)    |                   |                          |      |                    |                         |      |                    |              |     |     |               |        |                 |               |        |                 |          |        |                  |  |  |
| Altitude   | 0-4500                  | ft/pi (0-1372 m)   |                   |                          |      |                    |                         |      |                    |              |     |     |               |        |                 |               |        |                 |          |        |                  |  |  |

This appliance must be installed in accordance with local codes, if any; if none, follow the National Fuel Gas Code, ANSI Z223.1, or Natural Gas and Propane Installation Code, CSA B149.1.  
 This appliance must be installed in accordance with the Standard CAN/CSA Z240 MH, Mobile Housing, in Canada, or with the Manufactured Home Construction and Safety Standard, Title 24 CFR, Part 3280, in the United States, or when such a standard is not applicable, ANSI/NCSCS A225.1/NFPA 501A, Manufactured Home Installations Standard or ANSI A119.2 ou NFPA 501C Standard for Recreational Vehicles  
 This appliance is only for use with the type(s) of gas indicated on the rating plate and may be installed in an aftermarket, permanently located, manufactured home (USA only) or mobile home, where not prohibited by local codes. See owner's manual for details. This appliance is supplied with a conversion kit.  
 L'appareil doit être installé conformément aux codes et règlements locaux, ou, en l'absence de tels règlements, selon les codes d'installation National Fuel Gas Code ANSI Z223.1, ou CSA-B149.1 Natural Gas and Propane Installation Code en vigueur.  
 L'appareil doit être installé conformément à la norme CAN/CSA-Z240, Série MM, Maisons mobiles ou CAN/CSA-Z240 VC, Véhicules de camping, ou la norme 24 CFR Part 3280, Manufactured Home Construction and Safety Standard. Si ces normes ne sont pas applicables, veuillez vous référer à la norme ANSI/NCSCS A225.1/NFPA 501A, Manufactured Home Installations Standard, ou ANSI A119.2 ou NFPA 501C Standard for Recreational Vehicles.  
 Cet appareil doit être utilisé uniquement avec les types de gaz indiqués sur la plaque signalétique et peut être installé dans une maison préfabriquée (É.-U. seulement) ou mobile installée à demeure si les règlements locaux le permettent. Voir la notice de l'utilisateur pour plus de renseignements. Une trousse de conversion est fournie avec cet appareil.  
 f si une trousse de conversion certifiée est fournie.

**For Use Only with Barrier (Part #606-022) Follow installation instructions. Utiliser uniquement avec l'écran (n°606-022). Suivre les instructions d'installation.**  
 Electrical supply / Électrique 115VAC, 1.13 A, 60Hz. Part No. 946-753 register kit may be used. La trousse de registre (no.de pièce 946-753) peut être utilisée.  
 Fan Part # 636-517/P

**VENTED GAS FIREPLACE HEATER - NOT FOR USE WITH SOLID FUELS. FPI Fireplace Products International Ltd. Delta, BC, Canada**  
**FOYER AU GAZ À ÉVACUATION - NE PAS UTILISER AVEC UN COMBUSTIBLE SOLIDE.** Made in Canada/ Fabriqué au Canada 919-793

For the State of Massachusetts, installation and repair must be done by a plumber or gasfitter licensed in the Commonwealth of Massachusetts.

For the State of Massachusetts, flexible connectors shall not exceed 36 inches in length.

For the State of Massachusetts, the appliances individual manual shut-off must be a t-handle type valve.

The State of Massachusetts requires the installation of a carbon monoxide alarm in accordance with NFPA 720 and a CO alarm with battery back up in the same room where the gas appliance is installed.

# requirements

## MA Code - CO Detector (for the State of Massachusetts only)

### 5.08: Modifications to NFPA-54, Chapter 10

(2) Revise 10.8.3 by adding the following additional requirements:

(a) For all side wall horizontally vented gas fueled equipment installed in every dwelling, building or structure used in whole or in part for residential purposes, including those owned or operated by the Commonwealth and where the side wall exhaust vent termination is less than seven (7) feet above finished grade in the area of the venting, including but not limited to decks and porches, the following requirements shall be satisfied:

1. **INSTALLATION OF CARBON MONOXIDE DETECTORS.** At the time of installation of the side wall horizontal vented gas fueled equipment, the installing plumber or gasfitter shall observe that a hard wired carbon monoxide detector with an alarm and battery back-up is installed on the floor level where the gas equipment is to be installed. In addition, the installing plumber or gasfitter shall observe that a battery operated or hard wired carbon monoxide detector with an alarm is installed on each additional level of the dwelling, building or structure served by the side wall horizontal vented gas fueled equipment. It shall be the responsibility of the property owner to secure the services of qualified licensed professionals for the installation of hard wired carbon monoxide detectors

a. In the event that the side wall horizontally vented gas fueled equipment is installed in a crawl space or an attic, the hard wired carbon monoxide detector with alarm and battery back-up may be installed on the next adjacent floor level.

b. In the event that the requirements of this subdivision can not be met at the time of completion of installation, the owner shall have a period of thirty (30) days to comply with the above requirements; provided, however, that during said thirty (30) day period, a battery operated carbon monoxide detector with an alarm shall be installed.

2. **APPROVED CARBON MONOXIDE DETECTORS.** Each carbon monoxide detector as required in accordance with the above provisions shall comply with NFPA 720 and be ANSI/UL 2034 listed and IAS certified.

3. **SIGNAGE.** A metal or plastic identification plate shall be permanently mounted to the exterior of the building at a minimum height of eight (8) feet above grade directly in line with the exhaust vent terminal for the horizontally vented gas fueled heating appliance or equipment. The sign shall read, in print size no less than one-half (1/2) inch in size, "**GAS VENT DIRECTLY BELOW. KEEP CLEAR OF ALL OBSTRUCTIONS**".

4. **INSPECTION.** The state or local gas inspector of the side wall horizontally vented gas fueled equipment shall not approve the installation unless, upon inspection, the inspector observes carbon monoxide detectors and signage installed in accordance with the provisions of 248 CMR 5.08(2)(a)1 through 4.

(b) **EXEMPTIONS:** The following equipment is exempt from 248 CMR 5.08(2)(a)1 through 4:

1. The equipment listed in Chapter 10 entitled "Equipment Not Required To Be Vented" in the most current edition of NFPA 54 as adopted by the Board; and

2. Product Approved side wall horizontally vented gas fueled equipment installed in a room or structure separate from the dwelling, building or structure used in whole or in part for residential purposes.

(c) **MANUFACTURER REQUIREMENTS - GAS EQUIPMENT VENTING SYSTEM PROVIDED.** When the manufacturer of Product Approved side wall horizontally vented gas equipment provides a venting system design or venting system components with the equipment, the instructions provided by the manufacturer for installation of the equipment and the venting system shall include:

1. Detailed instructions for the installation of the venting system design or the venting system components; and

2. A complete parts list for the venting system design or venting system.

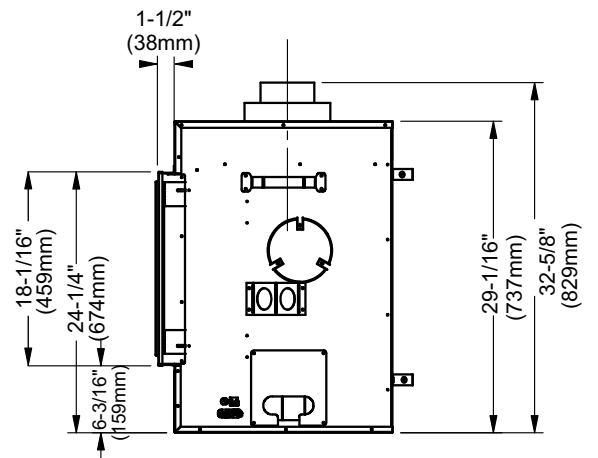
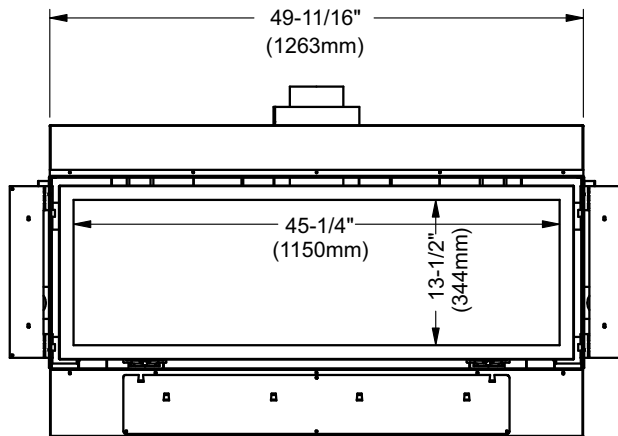
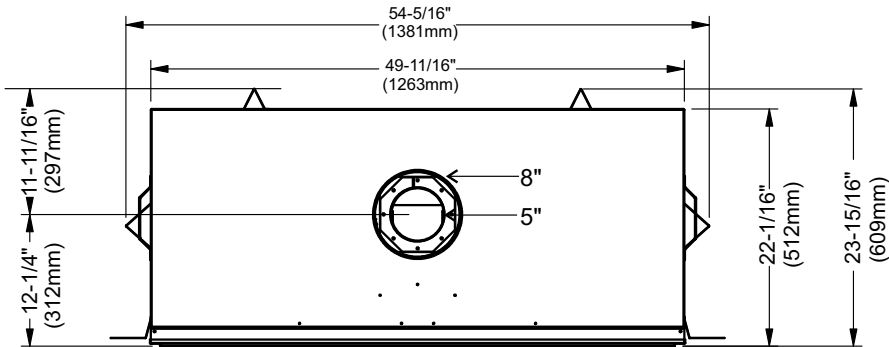
(d) **MANUFACTURER REQUIREMENTS - GAS EQUIPMENT VENTING SYSTEM NOT PROVIDED.** When the manufacturer of a Product Approved side wall horizontally vented gas fueled equipment does not provide the parts for venting the flue gases, but identifies "special venting systems", the following requirements shall be satisfied by the manufacturer:

1. The referenced "special venting system" instructions shall be included with the appliance or equipment installation instructions; and

2. The "special venting systems" shall be Product Approved by the Board, and the instructions for that system shall include a parts list and detailed installation instructions.

(e) A copy of all installation instructions for all Product Approved side wall horizontally vented gas fueled equipment, all venting instructions, all parts lists for venting instructions, and/or all venting design instructions shall remain with the appliance or equipment at the completion of the installation.

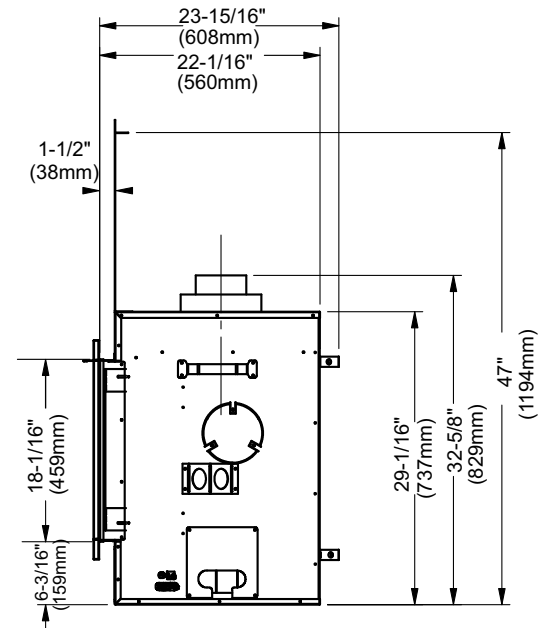
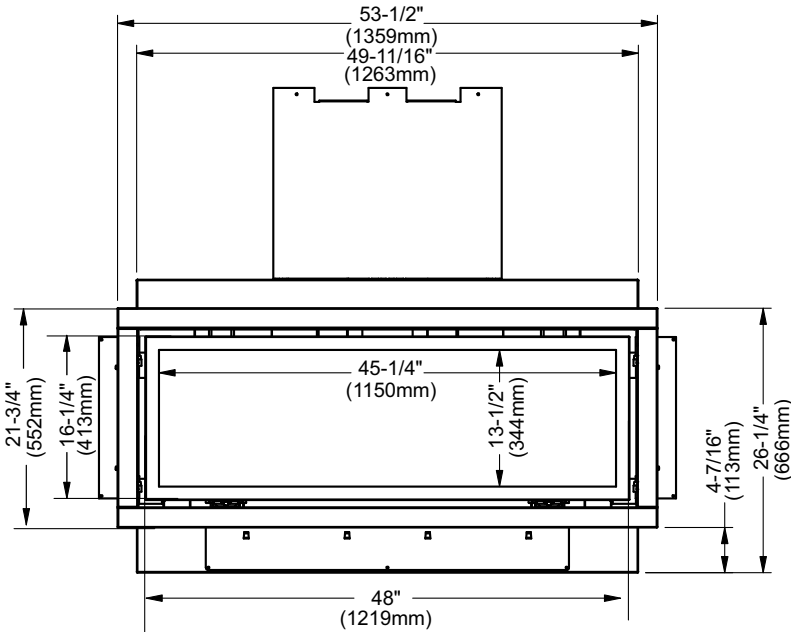
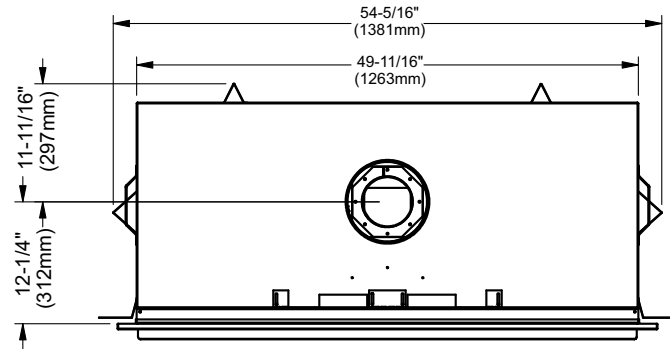
UNIT DIMENSIONS



ALL PICTURES / DIAGRAMS SHOWN THROUGHOUT THIS MANUAL ARE FOR ILLUSTRATION PURPOSES ONLY. ACTUAL PRODUCT MAY VARY DUE TO PRODUCT ENHANCEMENTS.

# installation

## UNIT WITH FACEPLATE DIMENSIONS



Glass Faceplate not shown  
Size : 57-1/2" Wide x 25-3/4" High

Finishing Trim not shown (Clean Edge Design)  
Size: 50-11/16" Wide x 18-3/4" High



## IMPORTANT MESSAGE SAVE THESE INSTRUCTIONS

The Gas Fireplace must be installed in accordance with these instructions. Carefully read all the instructions in this manual first. Consult the "authority having jurisdiction" to determine the need for a permit prior to starting the installation. It is the responsibility of the installer to ensure this fireplace is installed in compliance with manufacturers instructions and all applicable codes.

### BEFORE YOU START

Safe installation and operation of this appliance requires common sense, however, we are required by the Canadian Safety Standards and ANSI Standards to make you aware of the following:

**INSTALLATION AND REPAIR SHOULD BE DONE BY AN AUTHORIZED SERVICE PERSON. THE APPLIANCE SHOULD BE INSPECTED BEFORE USE AND AT LEAST ANNUALLY BY A PROFESSIONAL SERVICE PERSON. MORE FREQUENT CLEANING MAY BE REQUIRED DUE TO EXCESSIVE LINT FROM CARPETING, BEDDING MATERIAL, ETC. IT IS IMPERATIVE THAT CONTROL COMPARTMENTS, BURNERS AND CIRCULATING AIR PASSAGEWAYS OF THE APPLIANCE BE KEPT CLEAN.**

**DUE TO HIGH TEMPERATURES, THE APPLIANCE SHOULD BE LOCATED OUT OF TRAFFIC AND AWAY FROM FURNITURE AND DRAPERIES.**

**WARNING: FAILURE TO INSTALL THIS APPLIANCE CORRECTLY WILL VOID YOUR WARRANTY AND MAY CAUSE A SERIOUS HOUSE FIRE.**

**CHILDREN AND ADULTS SHOULD BE ALERTED TO THE HAZARDS OF HIGH SURFACE TEMPERATURES, ESPECIALLY THE FIREPLACE GLASS, AND SHOULD STAY AWAY TO AVOID BURNS OR CLOTHING IGNITION.**

**YOUNG CHILDREN SHOULD BE CAREFULLY SUPERVISED WHEN THEY ARE IN THE SAME AREA AS THE APPLIANCE. TODDLERS, YOUNG CHILDREN AND OTHERS MAY BE SUSCEPTIBLE TO ACCIDENTAL CONTACT BURNS. A PHYSICAL BARRIER IS RECOMMENDED IF THERE ARE AT RISK INDIVIDUALS IN THE HOUSE. TO RESTRICT ACCESS TO A FIREPLACE OR STOVE, INSTALL AN ADJUSTABLE SAFETY GATE TO KEEP TODDLERS, YOUNG CHILDREN AND OTHER AT RISK INDIVIDUALS OUT OF THE ROOM AND AWAY FROM HOT SURFACES.**

**CLOTHING OR OTHER FLAMMABLE MATERIAL SHOULD NOT BE PLACED ON OR NEAR THE APPLIANCE.**

**A BARRIER DESIGNED TO REDUCE THE RISK OF BURNS FROM THE HOT VIEWING GLASS IS PROVIDED WITH THIS APPLIANCE AND SHALL BE INSTALLED FOR THE PROTECTION OF CHILDREN AND OTHER AT-RISK INDIVIDUALS**

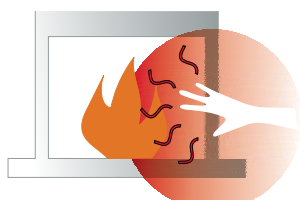
**IF THE BARRIER BECOMES DAMAGED, THE BARRIER SHALL BE REPLACED WITH THE MANUFACTURER'S BARRIER FOR THIS APPLIANCE.**

**ANY SAFETY SCREEN, GUARD, OR BARRIER REMOVED FOR SERVICING AN APPLIANCE MUST BE REPLACED PRIOR TO OPERATING THE APPLIANCE.**

### GENERAL SAFETY INFORMATION

1. The appliance installation must conform with local codes or, in the absence of local codes, with the current Canadian or National Gas Codes, CAN1-B149 or ANSI Z223.1 Installation Codes.
2. The appliance when installed, must be electrically grounded in accordance with local codes, or in the absence of local codes with the current National Electrical Code, ANSI/NFPA 70 or CSA C22.1 Canadian Electrical Code.

3. See general construction and assembly instructions. The appliance and vent should be enclosed.
4. This appliance must be connected to the specified vent and termination cap to the outside of the building envelope. Never vent to another room or inside a building. Make sure that the vent is fitted as per Venting instructions.
5. Inspect the venting system annually for blockage and any signs of deterioration.
6. Venting terminals shall not be recessed into a wall or siding.
7. Any safety glass removed for servicing must be replaced prior to operating the appliance.
8. To prevent injury, do not allow anyone who is unfamiliar with the operation to use the fireplace.
9. Wear gloves and safety glasses for protection while doing required maintenance.
10. Be aware of electrical wiring locations in walls and ceilings when cutting holes for termination.
11. Under no circumstance should this appliance be modified. Parts that have to be removed for servicing should be replaced prior to operating this appliance.
12. Installation and any repairs to this appliance should be done by a qualified service person. A professional service person should be called to inspect this appliance annually. Make it a practice to have all of your gas appliances checked annually.
13. Do not slam shut or strike the glass door.
14. Under no circumstances should any solid fuels (wood, paper, cardboard, coal, etc.) be used in this appliance.
15. The appliance area must be kept clear and free of combustible materials, (gases and other flammable vapours and liquids).



**WARNING: Cancer and Reproductive Harm**  
www.P65Warnings.ca.gov

919-874

# installation

## INSTALLATION CHECKLIST

1. Locate appliance
  - a) Room location (Refer to "Locating Your Gas fireplace" section)
  - b) Clearances to Combustibles (Refer to "Clearances" section)
  - c) Mantel Clearances (Refer to "Mantel Clearances" section)
  - d) Framing & Finishing Requirements (Refer to "Framing & Finishing" section)
  - e) Venting Requirements (Refer to "Venting" section)
2. Position nailing strips (Refer to "Unit Assembly Prior to Installation").
3. Slide unit into place.
4. Remove installation access panel.
5. Install vent (Refer to "Venting Arrangement" sections).
6. Make gas connections (Refer to "Gas Line Installation section").
7. Make electrical connections to receptacle supplied with unit (recommended).
8. Install batteries into the transmitter. Batteries should not be installed into the battery holder/switch box if electrical connections are made to the receptacle. They can be installed during power outages to run the main burner.
9. See remote control instructions for operation of this device.
10. Test the pilot (Refer to "Pilot Adjustment" section).
11. Test Gas Pressure (Refer to "Gas Pipe Pressure Testing" section).
12. Install standard and optional features. Refer to the following sections:
  - a) Log Install
  - b) Inner Door Frame
  - c) Outer Faceplate/Verona surround
  - d) Finishing Trim
  - e) Enamel panels
  - f) Heatwave kit
13. Reinstall installation access panel.
14. Final check.

Before leaving this unit with the customer, the installer must ensure that the appliance is firing correctly and **operation fully explained to customer.**

### This includes:

1. Clocking the appliance to ensure the correct firing rate (rate noted on label 43,000 Btu/h (NG), 42,000 Btu/h (LP) after burning appliance for 15 minutes.
2. If required, adjusting the primary air to ensure that the flame does not carbon. First allow the unit to burn for 15-20 min. to stabilize.

**CAUTION: Any alteration to the product that causes sooting or carboning that results in damage is not the responsibility of the manufacturer.**

## LOCATING YOUR GAS FIREPLACE

1. When selecting a location for your fireplace, ensure that the clearances are met.
2. The appliance must be installed on a flat, solid, continuous surface For example a wood, metal or concrete floor or in a raised (on the wall) application. The appliance must be installed on a metal or wood panel extending the full width and depth of the appliance.
3. The U1500E Direct Vent Gas Fireplace can be installed in a recessed position or framed out into the room as in A, B, C and D. See Diagram 1.

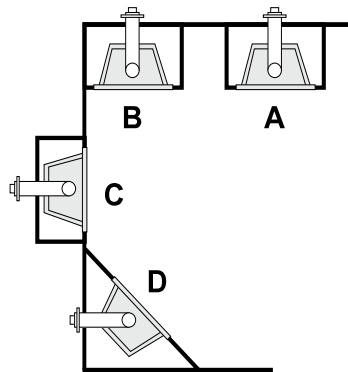


Diagram 1

- A) Flat on Wall
- B) Flat on Wall Corner
- C) Recessed into Wall/Alcove
- D) Corner

4. This appliance is Listed for bedroom installations using the standard Remote (thermostat system). Some areas may have further requirements, check local codes before installation.
5. The U1500E Direct Vent Gas Fireplace is approved for alcove installations, see "Clearances" section for details.
6. We recommend that you plan your installation on paper using exact measurements for clearances and floor protection before actually installing this appliance. Have an authorized inspector, dealer, or installer review your plans before installation.

**Note: For vent terminations refer to "Exterior Vent Termination Locations" section.**



## HEATWAVE DUCT SYSTEM OPTIONAL KIT

The **HeatWave** Air Duct Kit increases the effectiveness of your fireplace by dispersing warm air from the fireplace to remote locations in the same room or other rooms in your home.

Up to two kits may be installed on the fireplace.

**Please Note:** Only 1 HeatWave kit may be operated at one time. This includes the internal blower as well.

The **HeatWave** Duct Kit has different clearance and framing requirements, check the **HeatWave** manual for details.

**CLEARANCES**

The clearances listed below are Minimum distances unless otherwise stated:

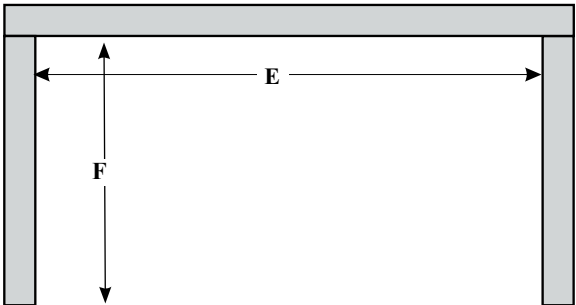
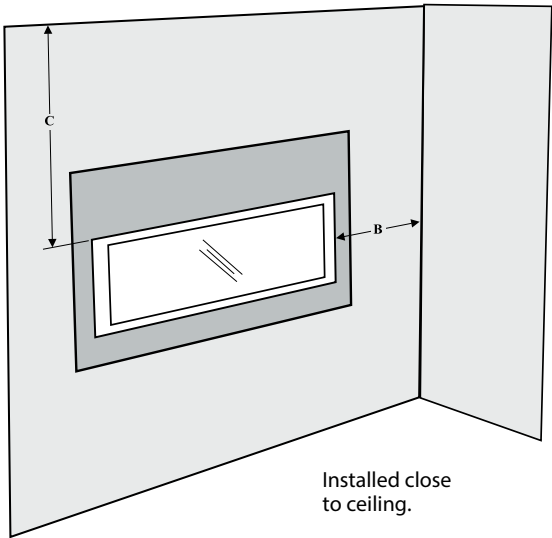
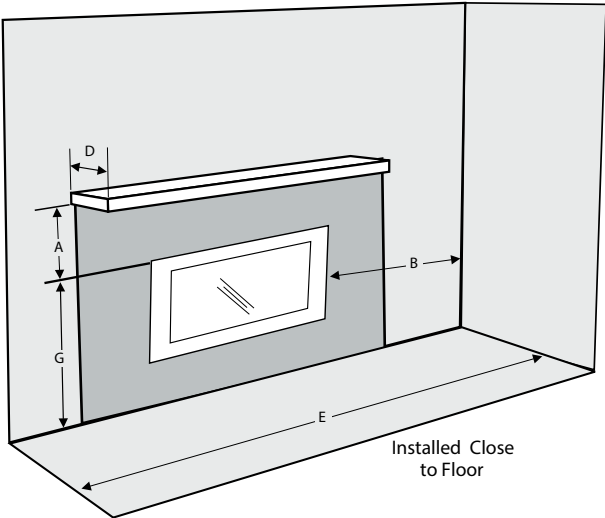
A major cause of chimney related fires is failure to maintain required clearances (air space) to combustibles. It is of the greatest importance that this fireplace and vent system be installed only in accordance with these instructions.

Note: This appliance uses 5" x 8" venting only.

| Clearance:                             | Dimension        | Measured From:                      |
|--|------------------|-------------------------------------|
| <b>A: Mantel Height (min.)</b>         | 25" (635mm)      | Top of Fireplace Opening            |
| <b>B: Sidewall (on one side)</b>       | 6" (152mm)       | Side of Fireplace Opening           |
| <b>C: Ceiling (room and/or alcove)</b> | 46-1/4" (1175mm) | Top of Fireplace Opening            |
| <b>D: Mantel Depth (max.)</b>          | 12" (305mm)      | 34" (864mm) Above Fireplace Opening |
| <b>E: Alcove Width</b>                 | 60" (1524mm)     | Sidewall to Sidewall (Minimum)      |
| <b>F: Alcove Depth</b>                 | 36" (914mm)      | Front to Back Wall (Maximum)        |
| <b>G: From Floor</b>                   | 24-1/4" (616mm)  | Top of Fireplace Opening            |
| <b>Note:</b>                           | 0"               | No hearth required                  |

| Flue Pipe Clearances to Combustibles                        |        |
|---|--------|
| Horizontal - Top  | 3"     |
| Horizontal - Side   | 2"     |
| Horizontal - Bottom   | 2"     |
| Vertical  | 2"     |
| Passing through wall/floor/ceiling - when firestop is used. | 1-1/2" |

**Heat Wave** The **HeatWave** Duct Kit has different clearance and framing requirements, check the **HeatWave** manual for details.



Alcove

**Caution Requirements**  
The top, back and sides of the fireplace are defined by standoffs. The metal ends of the standoff may **NOT** be recessed into combustible construction.

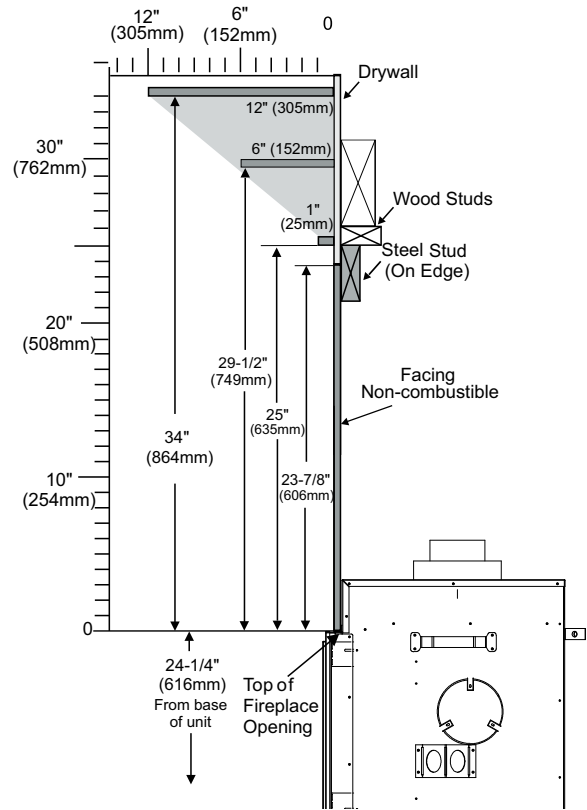
**WARNING**  
**Fire hazard is an extreme risk** if these clearances (air space) to combustible materials are not adhered to. It is of greatest importance that this fireplace and vent system be installed only in accordance with these instructions.

# installation

## MANTEL CLEARANCES

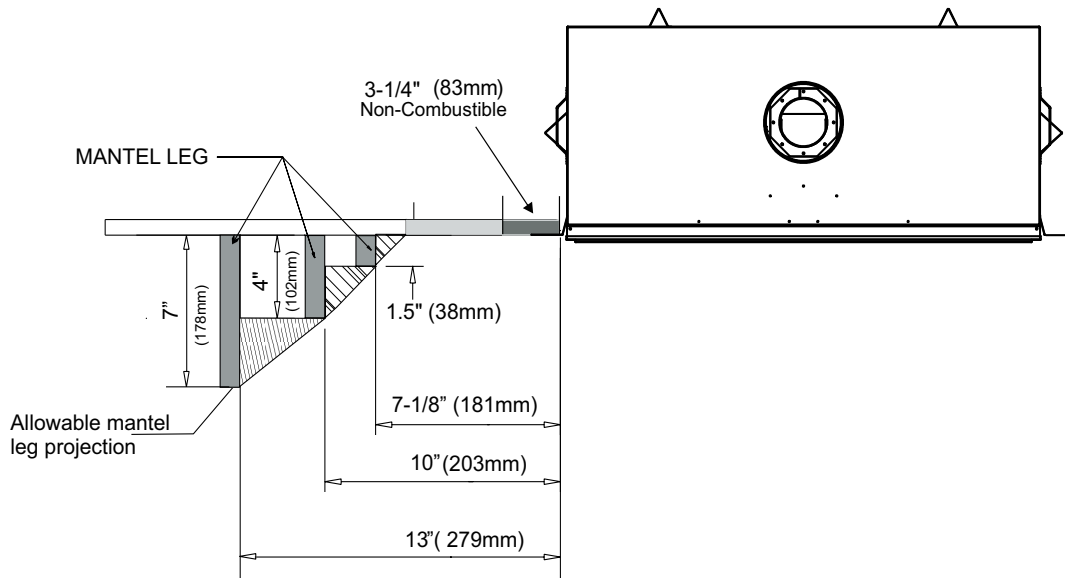
Due to the extreme heat this fireplace emits, the mantel clearances are critical. Combustible mantel clearances from top of front facing are shown in the diagram on the right.

**Note:** Ensure the paint that is used on the mantel and the facing is "high quality" or the paint may discolour.



## MANTEL LEG CLEARANCES

Combustible mantel leg clearances as per diagram:



## UNIT ASSEMBLY PRIOR TO INSTALLATION

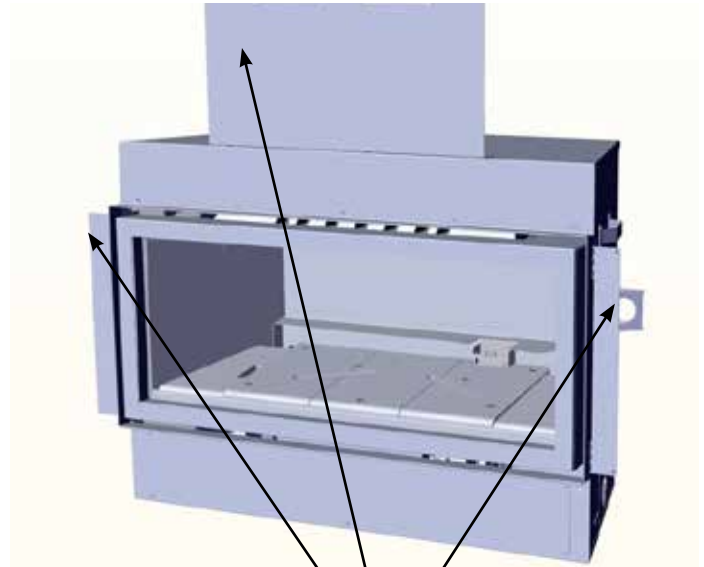
The nailing strips must be correctly positioned and attached before unit is slid into position.

### NAILING STRIPS

The nailing strips come attached to the unit. There is 1 plate on each side and one on the top, these nailing strips are secured to the framing.

#### IMPORTANT NOTE

Framing depth measurement is noted with the nailing strips set as far forward on the firebox as possible. The nailing strips can be adjusted back up to 1-1/2" (38mm) to allow for varying thicknesses in non-combustible material & wall finishes.



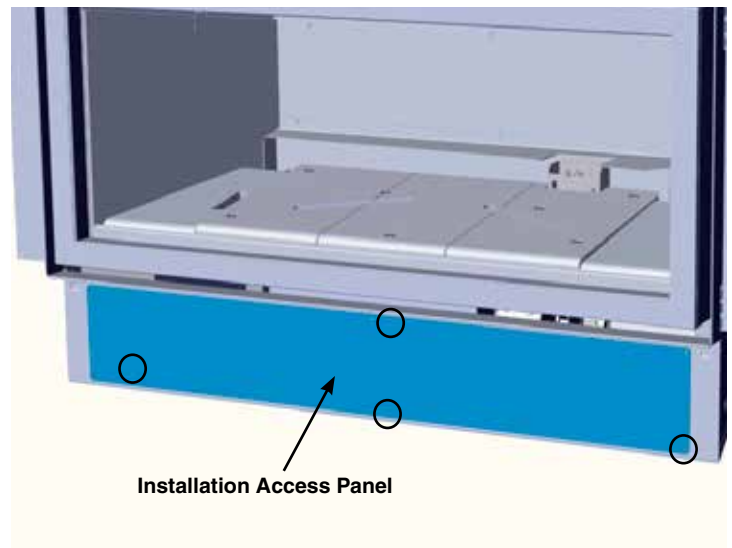
Nailing Strips  
(DO NOT REMOVE NAILING STRIPS)

## INSTALLATION ACCESS PANEL

The unit is equipped with a removable access panel for pre-finish installation of optional components - this panel is located on the lower front face.

- 1) Remove 4 screws to remove access panel.
- 2) Easier access to gas connection with panel removed.
- 3) Install any optional components with access panel removed.
- 4) Reinstall access panel with 4 screws

**Note:** Access panel is no longer usable once facing material installed.

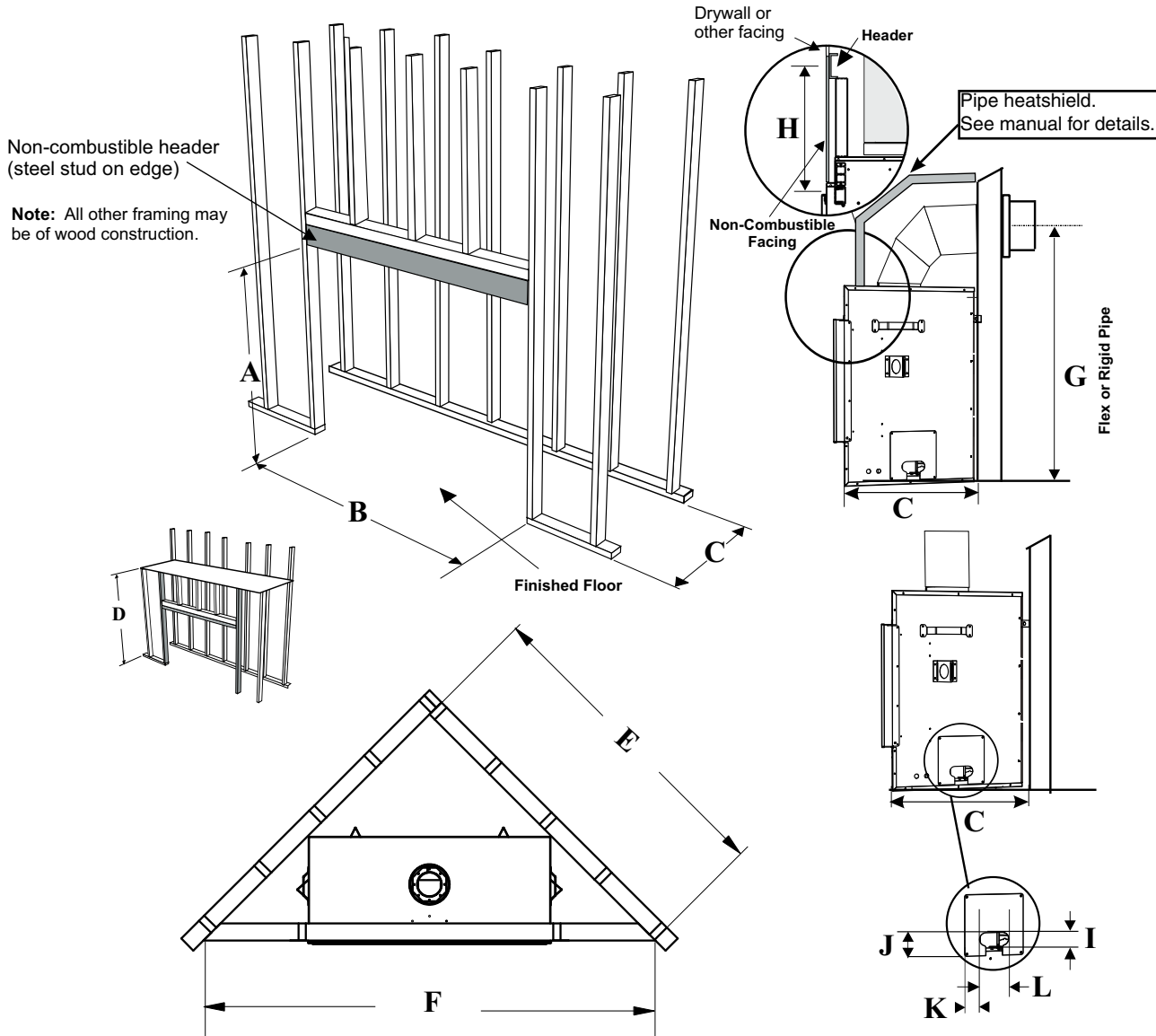


# installation

## FRAMING DIMENSIONS

| Framing Dimensions | Description                    | U1500E           |
|--------------------|--------------------------------|------------------|
| A                  | Framing Height                 | 47" (1194mm)     |
| B                  | Framing Width                  | 55" (1397mm)     |
| C*                 | Framing Depth                  | 24-1/4" (615mm)  |
| D                  | Minimum Height to Combustibles | 69-1/2" (1765mm) |
| E                  | Corner Facing Wall Depth       | 65-3/4" (1670mm) |
| F                  | Corner Facing Wall Width       | 93" (2362mm)     |
| G                  | Vent Centerline Height         | 41-3/8" (1051mm) |
| H                  | Non-combustible facing height  | 23-7/8" (606mm)  |
| I                  | Gas Connection Opening Height  | 1-11/16" (43mm)  |
| J                  | Gas Connection Height          | 2-11/16" (67mm)  |
| K                  | Gas Connection Inset           | 1-1/8" (29mm)    |
| L                  | Gas Connection Opening Width   | 4-11/16" (119mm) |

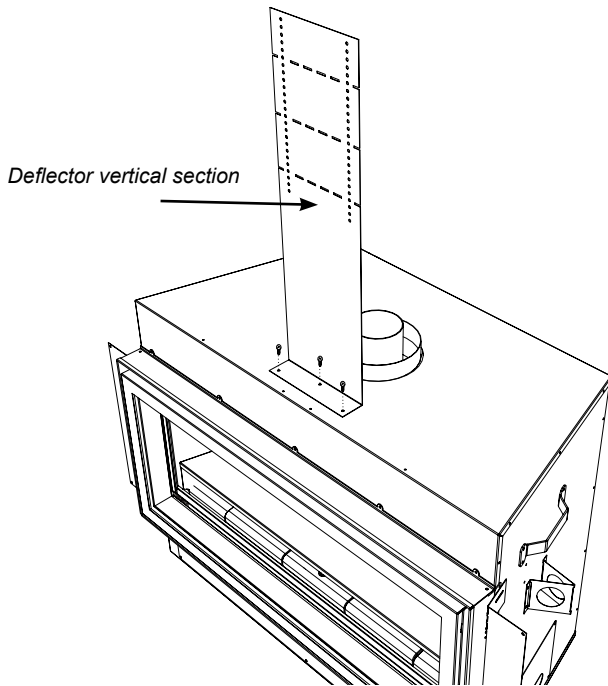
\* Framing depth measurement is noted with the nailing strips set as far forward on the firebox as possible. The nailing strips can be adjusted back up to 1-1/2" (38mm) to allow for varying thicknesses in non-combustible material & wall finishes. See non combustible section in this manual for details.



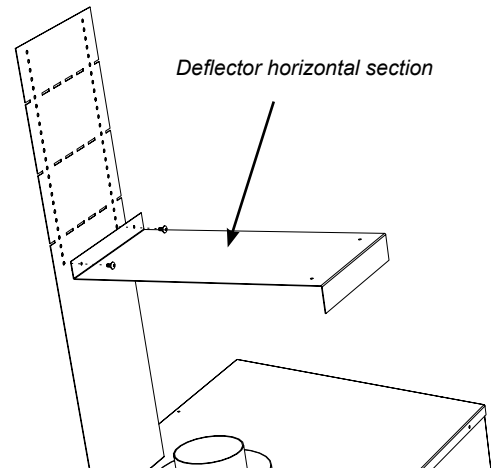
## HORIZONTAL VENT DEFLECTOR INSTALLATION

**Note:** This installation is only required for horizontal terminations when terminating at the minimum requirement of 41-3/8" to centerline. If any rise is used when venting this unit - the deflector and extender are not required.

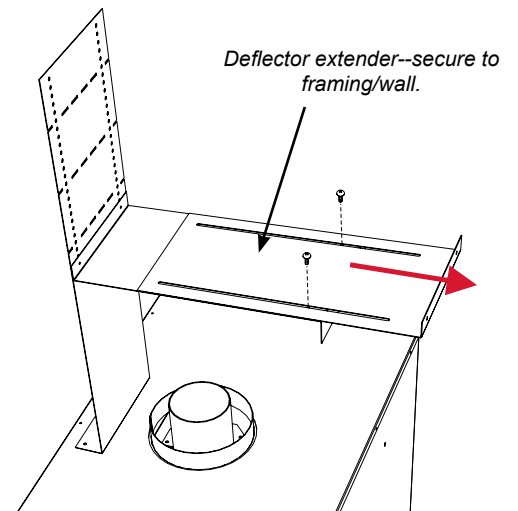
1. The deflector and extender are shipped on top of the firebox.
2. Install the vertical section of the deflector to the top of the firebox with 3 screws as shown below.



3. Install the horizontal section of the deflector to the vertical section at the desired height with 2 screws.



4. If the deflector extender is required, install with 2 screws, extend to desired length before tightening screws. Secure the end of the extender to framing/wall.

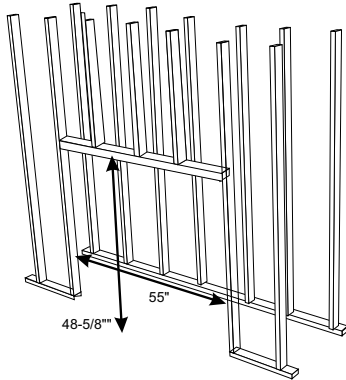


5. If there is any excess material on the horizontal section of the deflector, it can be folded down at the fold lines.

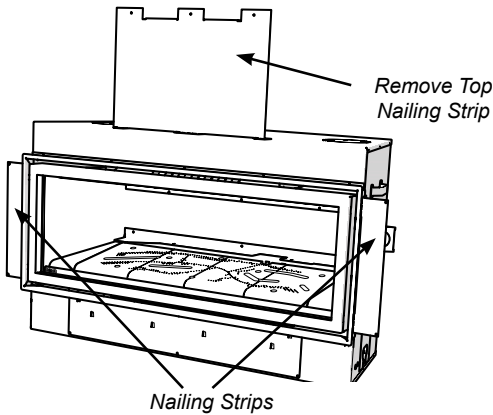
# installation

## OPTIONAL FRAMING KIT INSTALLATION

1. Construct the timber framing, ensure inside dimensions are 48-5/8" H x 55" W as shown below.

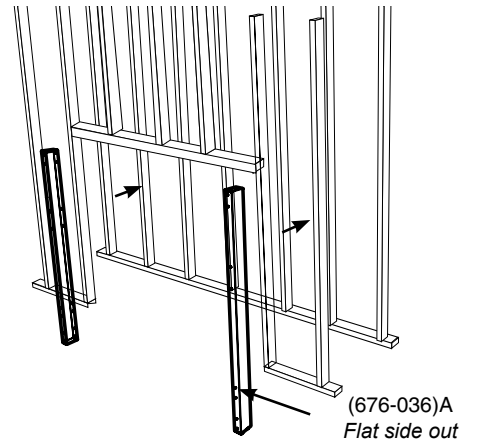
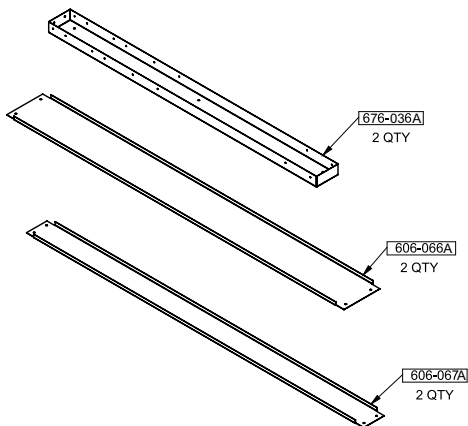


2. Bend both side nailing strips from the side of the appliance until positioned as shown below. Determine the overall combined thickness of the non-combustible board + finished material being used. The nailing strips can be adjusted up to 1-1/2". Remove top nailing strip (by removing 3 screws) and recycle.

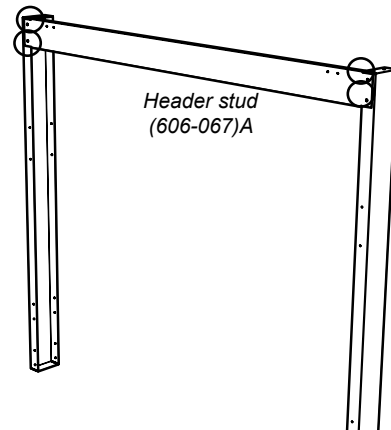


3. Adjust the nailing strips by loosening 2 screws on each nailing strip - adjust and retighten screws.
4. Attach both vertical studs (676-036)A to the vertical timber studs and secure using 6 screws (2 at bottom, 2 at top and 2 on sides) as shown.

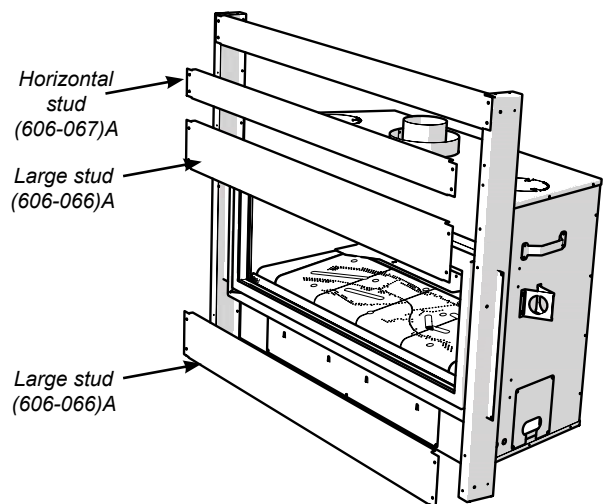
**NOTE:** Ensure the flat side of the steel stud is facing the wood framing.



5. Secure horizontal steel header stud (606-067) with 2 screws per side as per diagram.



6. Slide the unit into position. Hook up gas, venting, electrical and conversion kit (if purchased) prior to installing the remaining steel studs.
7. Secure the upper horizontal steel studs as shown with 2 screws per side.
8. Secure the 2 remaining large horizontal studs (606-066)A with 2 screws per side as shown.





## WALL MOUNT ON / OFF SWITCH AND BATTERY HOLDER INSTALLATION REQUIRED FOR ALL INSTALLATIONS

### IMPORTANT INSTALLATION NOTE:

The Battery Holder must be placed inside the supplied (Low Voltage) junction type wall box and installed into the wall only.

### DO NOT INSTALL WITHIN THE CONFINES OF THE FIREPLACE SWITCH MUST BE ACCESSIBLE

#### Battery Holder Installation

1. Install the low voltage junction box to the framing, at desired location within 15 ft. from fireplace.
2. Feed the 6 pin connector through the opening at back of junction box.
3. Connect the 6 pin connector to the back of the Battery Holder.
4. Install the Battery Holder in the Low Voltage Junction box.
5. Install batteries only if 120 volt power will not be used. Batteries are only used if power is lost within the home and serve as a secondary power source. Insert the 4 AA type batteries in the battery compartment with the correct polarity.
6. Place the slider into the cover plate.
7. Put the Battery Holder switch in the "OFF" position, to allow correct lineup for slider switch.
8. Make sure the Battery Holder and cover plate words "ON" and "UP" are on the same side.
9. Align the slider with the switch on the Battery Holder and couple the switch into the slider.
10. Align the screw holes.
11. Using the two (2) screws provided secure the cover plate to the Battery Holder.
12. For coding instructions, see full details in this manual.



Low Voltage Junction Box

#### Proflame Battery Holder

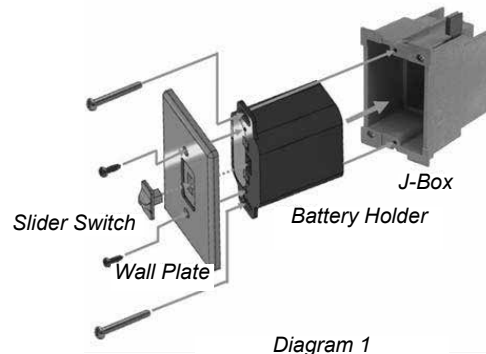
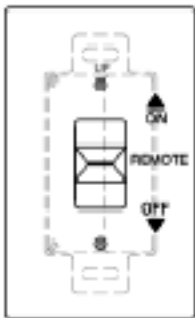
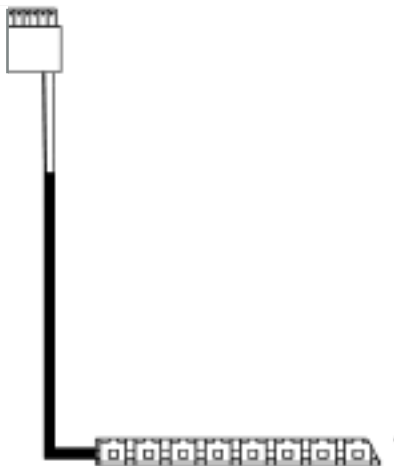


Diagram 1



# installation

## NON-COMBUSTIBLE REQUIREMENTS

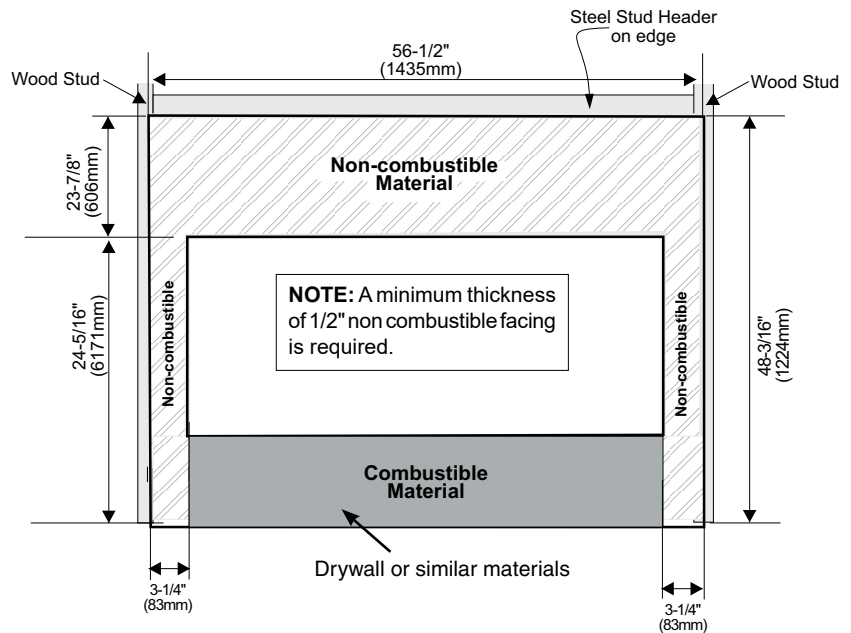
\* Installation of the ON/OFF Wall Switch/Battery Holder must be completed before installing non-combustible facing.

All three pieces (top, 2 sides) are supplied to meet the non combustible requirements.

Calcium silicate board is a high - grade material with cement, quartz, natural and selected minerals as the main raw materials. It is widely used for partitions and ceilings in buildings. It is fire proof and earthquake proof.

If finishing the wall above the unit with materials such as tile, brick, marble, etc. non-combustible board available from the building supply store can be used.

**Note:** Calcium Silicate is 1/2" thick



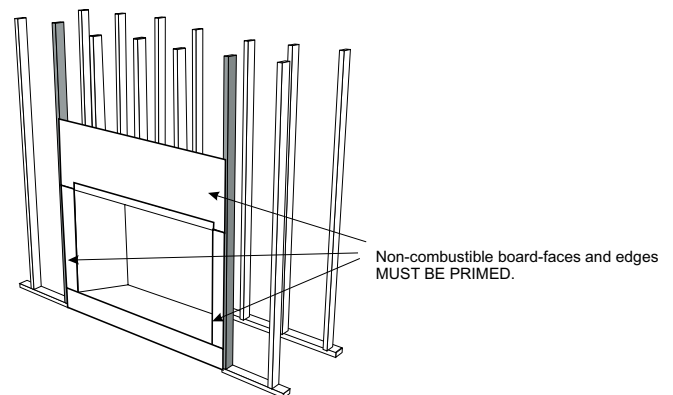
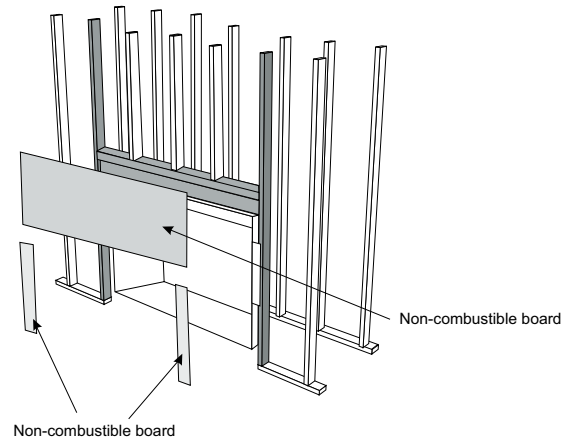
## NON-COMBUSTIBLE FACING INSTALLATION

**Caution:** The non-combustible board can be damaged if dropped or struck. Handle with care.

1. Using drywall screws - secure non combustible material around unit, framing and top nailing strip every 6 inches.

**Important Note:** To avoid cracking the board - pre-drill holes prior to securing to unit/ framing.

2. Wipe any debris/dust from the non combustible material and drywall.
3. Prior to securing it is mandatory to prime the facing and edges using a quality primer. This will ensure proper adhesion of both the tape and mud. The supplied board is very porous. Failure to follow this procedure will result in cracked seams.
4. Tape the seams using a mesh type tape.
5. Mud seams as normal. We recommend using a product called Durabond high strength compound - for the first coat. This product can be found most hardware stores. Mud must be cured as per manufacturer's recommendations.
6. Prime wall for a second time for proper adhesion of paint
7. Paint walls using a high quality paint which will withstand the high temperatures being emitted from this appliance.



## FRAMING & FINISHING

- 1) Frame in the enclosure for the unit with framing material.

**IMPORTANT:** The framed opening must be of non-combustible material.

**Note:** When constructing the framed opening, please ensure there is access to install the gas lines when the unit is installed.

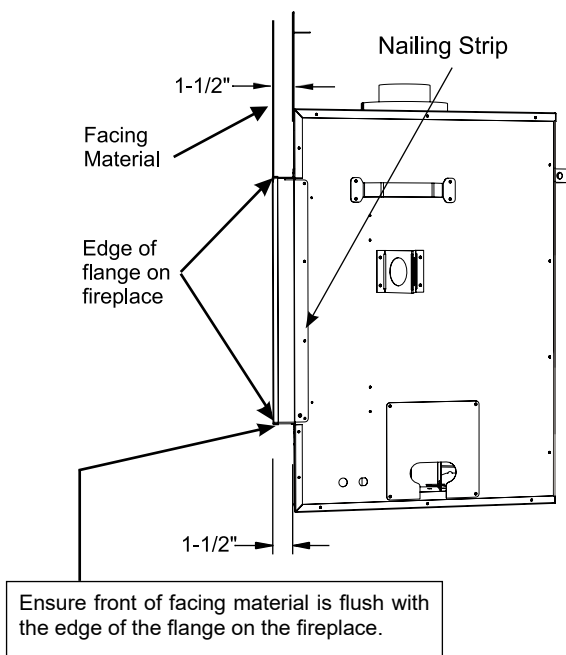
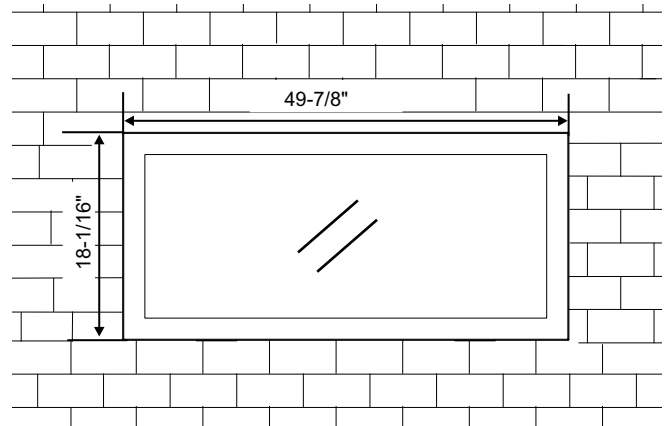
- 2) For exterior walls, insulate the enclosure to the same degree as the rest of the house, apply vapour barrier and drywall, as per local installation codes. **(Do not insulate the fireplace itself and/or the venting. Clearances must be maintained as per this manual.)**

**WARNING:** Failure to insulate and add vapor barriers to the inside of the exterior wall will result in operational and performance problems including, but not limited to: excessive condensation on glass doors, poor flame package, carbon, blue flames etc. These are not product related issues.

- 3) The unit does not have to be completely enclosed in a chase. You must maintain clearances from the vent to combustible materials: See "Clearances" section. Combustible materials can be laid against the side and back standoffs and the stove base.
- 4) Non-combustible material (ie. tile, slate, etc) may be brought up to and overlap the unit (top and bottom) ensuring that the maximum thickness does not go beyond the 1-1/2" as shown in the diagram below. The faceplate will not be able to be mounted if finished material is beyond 1-1/2".

- 5) If material such as brick, stone, etc extends past the faceplate depth 1-1/2", when finishing around the faceplate, the minimum opening dimensions noted below must be adhered to ensuring for the removal of the faceplate and for the safe operation of this appliance.

**NOTE:** Spacing of 1" around the completed surround must be adhered to.



# installation

## FRAMING & FINISHING

| Finished Material | Nailing Strip Position |  |
|-------------------|------------------------|--|
| 1/2"<br>(13mm)    | 1"<br>(25mm)           |  |
| 1"<br>(25mm)      | 1/2"<br>(13mm)         |  |
| 1-1/2"<br>(38mm)  | 0" (flush)             |  |

### Important:

Determine the nailing strip position by determining the facing material being used.

### Examples:

1/2" non-combustible wall board for clean finish = 1" adjustment.

1/2" non-combustible wall board + 1/2" tile = 1" of finished material = 1/2" adjustment.

### Note:

Depending on the material used for finishing, the nailing strips must be set accordingly so that the finished material is always at the 1-1/2" edge of the flange.

Note : If material such as brick, stone, etc extends past the depth of 1-1/2" when finishing around the faceplate ( Inner/Outer faceplate/Verona glass surround), the minimum opening dimensions around the faceplate must be adhered to ensuring for the removal of the faceplate and for the safe operation of this appliance. See framing and finishing in this manual for details.

If only using the inner door trim to create a clean edge finish on all 4 sides, non combustible material may extend beyond the 1 1/2" face to give you a recessed look.

If the material below the appliance which only requires combustible material extends beyond the 1 1/2" lip, ( ie: a hearth in front of the appliance) non combustible material must be used. Combustible material cannot extend beyond the bottom lip of the fireplace.

If using the finishing trim for clean face design, the maximum allowable depth is 1 1/2" .The finishing trim will not fit if it exceeds 1 1/2" .

## IMPORTANT

Regency Fireplace Products are designed, produced, tested and certified to the highest industry standards.

The finishing of the walls surrounding your Regency Horizon Fireplace is as critical as the installation itself.

The temperatures around linear gas fireplaces are typically higher than would be acceptable for combustible materials. Your Regency Horizon Fireplace is no exception to this rule. Therefore, the units are specified with non-combustible required materials to specific dimensions above and around the units. This is due to these areas reaching higher temperature levels than required/acceptable for a combustible material. To obtain the best, most durable finish around your fireplace, this calls for a high level of care and attention to the preparation and finish around this appliance, using only the highest quality materials, able to withstand the temperatures produced.

By following the installation instructions in the manual exactly, you will increase your chances of a damage free finish.

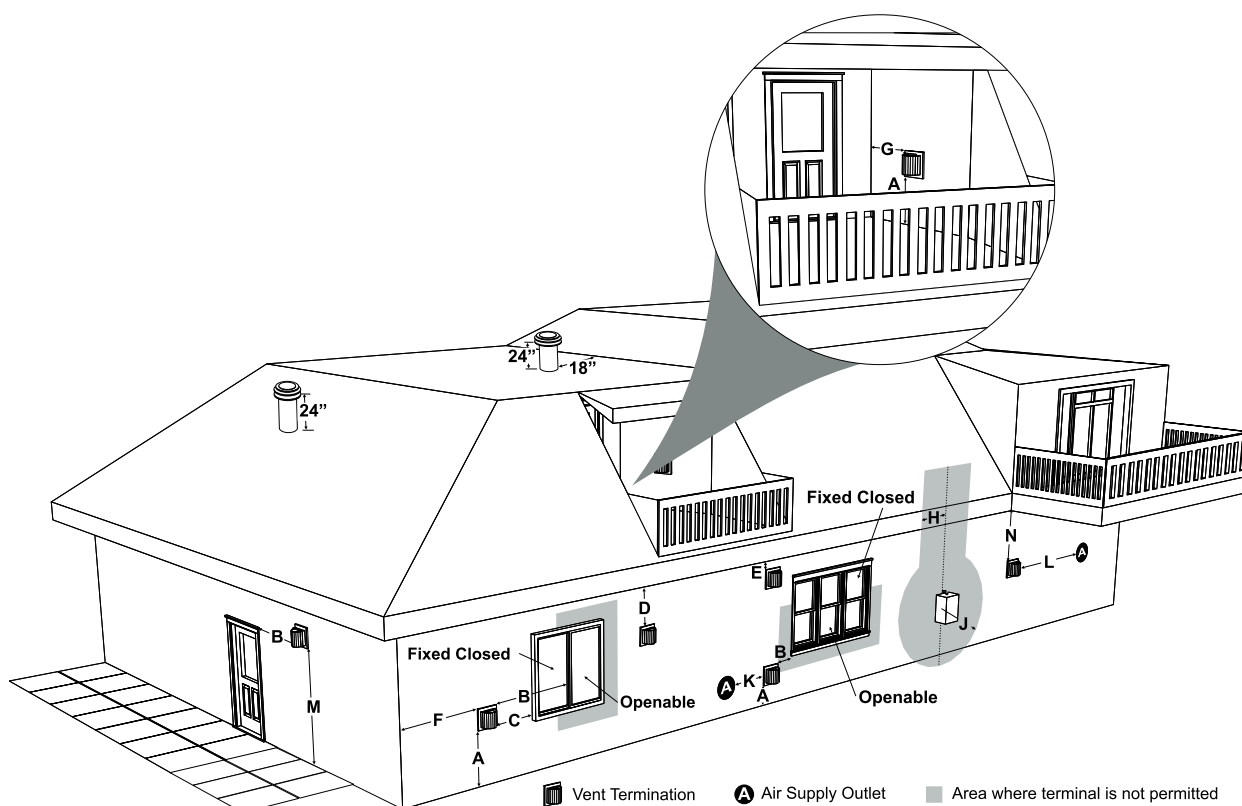
While every precaution is taken in providing the recommendations on preparation and finish, given the variations in paint quality, with temperature limits and workmanship in application, Regency is unable to guarantee the life of the joint compounds, paint or any other finish materials or workmanship applied to or used in any application surrounding the fireplace. This includes framing as well as finishing.

Over time natural convection from any fireplace can cause discoloration in the area directly above the appliance. Lower quality paints, under-prepared finishes, poor applications, and any framing discrepancies or in the installation can cause this discoloration process to be expedited.

Discoloration is not the responsibility of Regency Fireplace Products. This is out of the control of Regency Fireplace Products Ltd., therefore not covered under any part of the warranty policy.

While discoloration is not the responsibility of Regency Fireplace Products, we believe careful attention to the recommendations provided here will result in an aesthetically pleasing result free of issues outlined above.

## EXTERIOR VENT TERMINATION REQUIREMENTS



|   | Minimum Clearance Requirements  | Canada <sup>1</sup>    | USA <sup>2</sup>       |
|---|---|------------------------|------------------------|
| A | Clearance above grade, veranda, porch, deck, or balcony   | 12"(30cm)              | 12"(30cm)              |
| B | Clearance to window or door that may be opened  | 12"(30cm)              | 9" (23cm)              |
| C | Clearance to permanently closed window  | *                      | *                      |
| D | Vertical clearance to ventilated soffit located above the terminal within a horizontal distance of 2 feet (61cm) from the center line of the terminal (check with the local code) | 19"(48cm)              | 19"(48cm)              |
| E | Clearance to unventilated soffit  | 19"(48cm)              | 19"(48cm)              |
| F | Clearance to outside corner: with <b>AstroCap</b> Termination Cap.  | 7"(18cm)               | 7"(18cm)               |
|   | Clearance to outside corner: with all other approved Termination Caps.  | 13"(33cm)              | 13"(33cm)              |
| G | Clearance to inside corner: with <b>AstroCap</b> Termination Cap  | 7"(18cm)               | 7"(18cm)               |
|   | Clearance to inside corner: with all other approved Termination Caps.   | 13"(33cm)              | 13"(33cm)              |
| H | Clearance to each side of center line extended above meter/regulator assembly   | 36"(90cm) <sup>a</sup> | *                      |
| J | Clearance to service regulator vent outlet  | 36"(90cm)              | *                      |
| K | Clearance to non-mechanical air supply inlet to building or the combustion air inlet to any other appliance   | 12"(30cm)              | 9" (23cm)              |
| L | Clearance to a mechanical air supply inlet #3' (91cm) above if within 10' (3m) horizontally.  | 72"(1.8m)              | 36"(90cm) <sup>b</sup> |
| M | Clearance above paved sidewalk or a paved driveway located on public property   | 84"(2.1m) <sup>‡</sup> | *                      |
| N | Clearance under veranda, porch, deck, or balcony  | 12"(30cm) <sup>‡</sup> | *                      |

<sup>1</sup> In accordance with current CSA B149.1, *Natural Gas and Propane Installation Code*

<sup>2</sup> In accordance with the current ANSI Z223.1/NFPA 54, *National Fuel Gas Code*

<sup>‡</sup> A vent shall not terminate directly above a sidewalk or paved driveway which is located between two single family dwellings and serves both dwellings

<sup>‡</sup> Permitted only if veranda, porch, deck, or balcony is fully open on a minimum of two sides beneath the floor

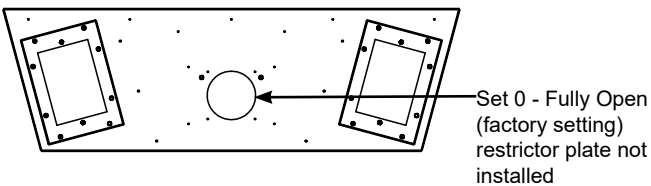
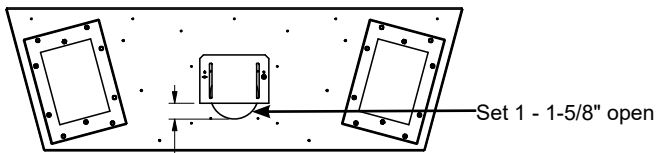
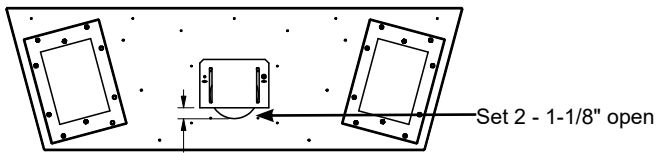
\* Clearance in accordance with local installation codes and the requirements of the gas supplier

<sup>a</sup> 3 feet (91cm) within a height of 15 feet (4.5m) above the meter / regulator assembly

<sup>b</sup> 3 feet (91cm) above - if within 10 feet (3m) horizontally

# installation

## VENT RESTRICTOR SETTING

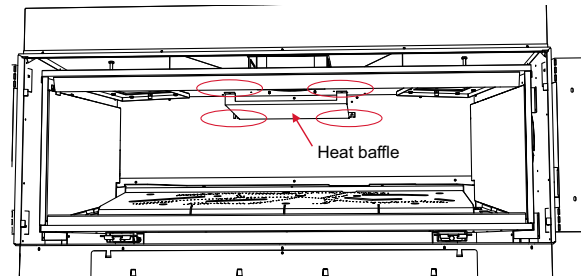


Vent restriction is required for certain venting installations, see the diagrams in the "Venting Arrangements" section to determine if they are required for your installation.

The Vent Restrictor plate is located on the inside top of the firebox.

To set the vent restriction as indicated in the venting arrangements diagrams, refer to the following instructions;

1. Remove the glass door and inner panels - see instructions in this manual.
2. Remove 4 screws (2 front - 2 back) to remove heat baffle to access restrictor plate.



3. Remove the screws that hold the vent restrictor in place.
4. Adjust the vent restrictor plate to the required vent restrictor position as per the diagrams shown below.
5. Once the vent restrictor plate is in the required position, secure with screws.

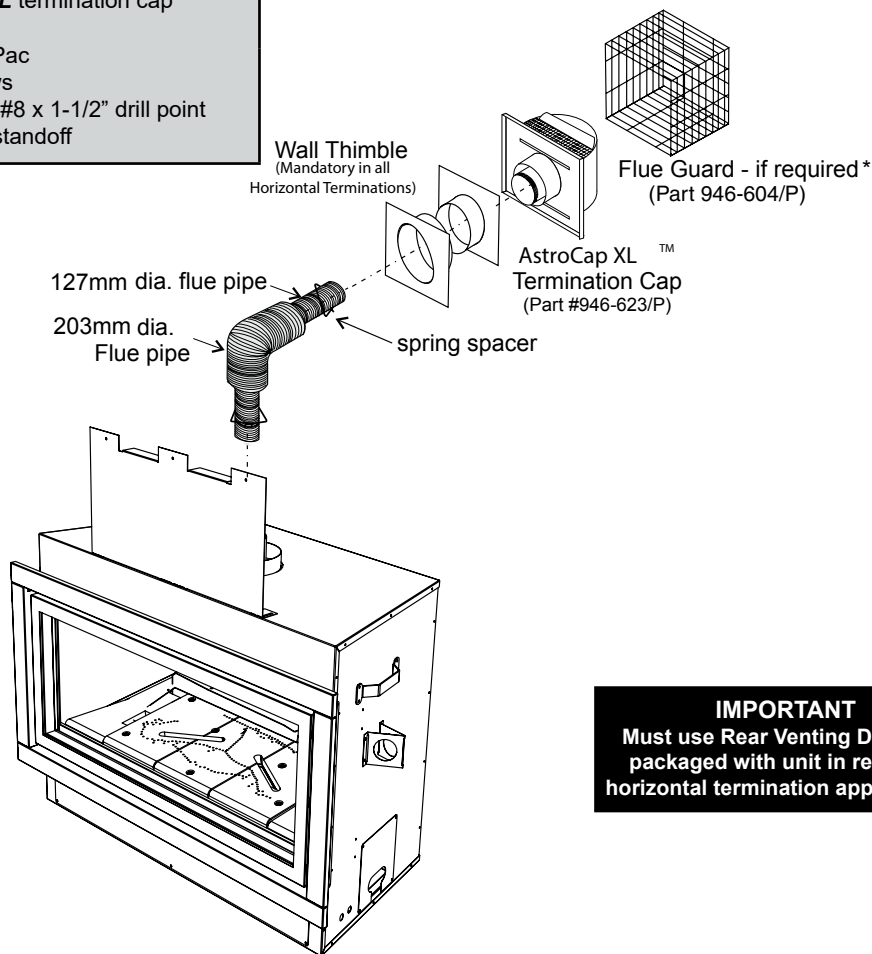
## HORIZONTAL TERMINATIONS

### FLEX VENT 5" X 8"

These venting systems, in combination with the U1500E Direct Vent Gas Fireplace, has been tested and listed as a direct vent heater system by Intertek. The location of the termination cap must conform to the requirements in the Vent Terminal Locations diagram in "Exterior Vent Termination Locations" section.

Regency® Direct Vent (Flex) System 4 foot Termination Kit (Part# 946-615), 6 foot Termination (Part# 946-618) or 10 foot Termination Kit (Part# 946-616) includes all the parts needed to install the U1500E.

| FPI Kit # | Length  | Contains:  |
|-----------|---------|--|
| #946-615  | 4 Feet  | 1) 8" flexible liner (Kit length)<br>2) 5" flexible liner (Kit length)<br>3) spring spacers                    |
| #946-618  | 6 Feet  | 4) thimble<br>5) <b>AstroCap XL</b> termination cap<br>6) screws   |
| #946-616  | 10 Feet | 7) tube of Mill Pac<br>8) plated screws<br>9) S.S. screws #8 x 1-1/2" drill point<br>10) vinyl siding standoff |



**IMPORTANT**  
Must use Rear Venting Deflector packaged with unit in rear vent horizontal termination applications.

Notes:

- 1) Liner sections should be continuous without any joints or seams.
- 2) Only Flex pipe purchased from Regency may be used for Flex installations.
- 3) Regency® Direct Vent System (Flex) is only approved for horizontal terminations.

**NOTE:** If longer runs are required the FPI Direct Vent system (Flex) #946-616 includes all parts needed to install the U1500E with a maximum 10' run.

# installation

## 5" X 8" RIGID PIPE

### CROSS REFERENCE CHART ONLY

Components from different Manufacturers may not be mixed. Not All Rigid Pipe components are available directly from FPI.

| Description                | Simpson<br>Direct Vent Pro® | Selkirk<br>Direct Temp™ | Metal-Fab™<br>Sure Seal | ICC Excel<br>Direct | Olympia<br>Ventis DV* |
|----------------------------|-----------------------------|-------------------------|-------------------------|---------------------|-----------------------|
| 6" Pipe Length-Galvanized  | 58DVA-06                    | 5DT-6                   | 5D6                     | TC-5DL6             | VDV-0506              |
| 6" Pipe Length-Black       | 58DVA-06B                   | 5DT-6B                  | 5D6B                    | TC-5DL6B            | VDVB-0506             |
| 9" Pipe Length-Galvanized  | 58DVA-09                    | 5DT-9                   | N/A                     | TC-5DL9             | VDV-0509              |
| 9" Pipe Length-Black       | 58DVA-09B                   | 5DT-9B                  | N/A                     | TC-5DL9B            | VDVB-0509             |
| 12" Pipe Length-Galvanized | 58DVA-12                    | 5DT-12                  | 5D12                    | TC-5DL1             | VDV-0512              |
| 12" Pipe Length-Black      | 58DVA-12B                   | 5DT-12B                 | 5D12B                   | TC-5DL1B            | VDVB-0512             |
| 18" Pipe Length-Galvanized | 58DVA-18                    | 5DT-18                  | 5D18                    | TC-5DL18            | VDV-0518              |
| 18" Pipe Length-Black      | 58DVA-18B - N/A from FPI    | 5DT-18B                 | 5D18B                   | TC-5DL18B           | VDVB-0518             |
| 24" Pipe Length-Galvanized | 58DVA-24                    | 5DT-24                  | 5D24                    | TC-5DL2             | VDV-0524              |
| 24" Pipe Length-Black      | 58DVA-24B                   | 5DT-24B                 | 5D24B                   | TC-4DL2B            | VDVB-0524             |
| 36" Pipe Length-Galvanized | 58DVA-36                    | 5DT-36                  | 5D36                    | TC-5DL3             | VDV-0536              |
| 36" Pipe Length-Black      | 58DVA-36B                   | 5DT-36B                 | 5D36B                   | TC-5DL3B            | VDVB-0536             |
| 48" Pipe Length-Galvanized | 58DVA-48                    | 5DT-48                  | 5D48                    | TC-5DL4             | N/A                   |
| 48" Pipe Length-Black      | 58DVA-48B                   | 5DT-48B                 | 5D48B                   | TC-5DL4B            | N/A                   |
| 60" Pipe Length-Galvanized | 58DVA-60                    | N/A                     | N/A                     | N/A                 | N/A                   |
| 60" Pipe Length-Black      | 58DVA-60B - N/A from FPI    | N/A                     | N/A                     | N/A                 | N/A                   |

|                                       |                          |         |       |          |     |
|---------------------------------------|--------------------------|---------|-------|----------|-----|
| Adjustable Length 3"-10"-Galvanized   | N/A                      | N/A     | 5DAL  | TC-5DLT  | N/A |
| Adjustable Length 3"-10"-Black        | N/A                      | N/A     | 5DALB | TC-5DLTB | N/A |
| Adjustable Length 11"-14" -Galvanized | Disc. - See 58DV-08A     | 5DT-AJ  | N/A   | N/A      | N/A |
| Adjustable Length 11"-14" -Black      | Disc. - See 58DV-08B     | 5DT-AJB | N/A   | N/A      | N/A |
| Extension Pipe 17"-24" -Galvanized    | Disc. - See 58DV-16A     | N/A     | N/A   | N/A      | N/A |
| Extension Pipe 17"-24" -Black         | Disc. - See 58DV-16AB    | N/A     | N/A   | N/A      | N/A |
| Adjustable Length 8-1/2"-Galvanized   | 58DVA-08A - N/A from FPI | N/A     | N/A   | N/A      | N/A |
| Adjustable Length 8-1/2"-Black        | 58DVA-08AB               | N/A     | N/A   | N/A      | N/A |
| Extension Pipe 16"-Galvanized         | 58DVA-16A - N/A from FPI | N/A     | N/A   | N/A      | N/A |

|                                      |                        |            |            |           |             |
|--------------------------------------|------------------------|------------|------------|-----------|-------------|
| 45° Elbow-Galvanized                 | 58DVA-E45              | 5DT-EL45   | 5DT-EL45   | TE-5DE45  | VDV-EL0545  |
| 45° Elbow-Black                      | 58DVA-E45B             | 5DT-EL45B  | 5DT-EL45B  | TE-5DE45B | VDVB-EL0545 |
| 45° Elbow Swivel-Galvanized          | Disc. - See 58DVA-E45  | N/A        | N/A        | N/A       | N/A         |
| 45° Elbow Swivel-Black               | Disc. - See 58DVA-E45B | N/A        | N/A        | N/A       | N/A         |
| 90° Elbow-Galvanized                 | 58DVA-E90              | 5DT-EL90S  | 5DT-EL90S  | TE-5DE90  | VDV-EL0590  |
| 90° Elbow-Black                      | 58DVA-E90B             | 5DT-EL90SB | 5DT-EL90SB | TE-5DE90B | VDVB-EL0590 |
| 90° Elbow, Swivel-Galvanized         | Disc. - See 46DVA-E45  | N/A        | N/A        | N/A       | N/A         |
| 90° Elbow, Swivel-Black              | Disc. - See 46DVA-E45  | N/A        | N/A        | N/A       | N/A         |
| 90° Starter Elbow, Swivel-Galvanized | N/A                    | N/A        | N/A        | N/A       | N/A         |
| Adaptor*                             | N/A                    | N/A        | N/A        | N/A       | VDV-UAA05   |

|                                      |                         |          |      |         |           |
|--------------------------------------|-------------------------|----------|------|---------|-----------|
| Ceiling Support                      | 58DVA-DC                | 5DT-CS   | 5DSP | TM-5RDS | VDV-CSR05 |
| Cathedral Support Box                | 58DVA-CS                | 5DT-CSS  | 5DRS | TM-5SS  | DV-CSS05  |
| Wall Support/Band                    | 58DVA-WS                | 5DT-WS/B | 5DWS | TM-5WS  | VDV-WS05  |
| Offset Support                       | 58DVA-ES - N/A from FPI | 5DT-OS   | N/A  | TM-5OS  | N/A       |
| Wall Thimble-Black                   | 58DVA-WT                | 5DT-WT   | 5DWT | N/A     | VDV-WPT05 |
| Wall Thimble Support/Ceiling Support | 58DVA-DC - N/A from FPI | N/A      | N/A  | N/A     | N/A       |
| Firestop Spacer                      | 58DVA-FS                | 5DT-FS   | 5DFS | TM-5LS  | VDV-FS05  |
| Trim Plate-Black                     | 58DAV-WFS               | 5DT-TP   | 5DCP | TM-5TP  | VDV-WTC05 |



| Description                 | Simpson Direct Vent Pro® | Selkirk Direct Temp™ | Metal-Fab™ Sure Seal | ICC Excel Direct | Olympia Ventis DV* |
|-----------------------------|--------------------------|----------------------|----------------------|------------------|--------------------|
| Attic Insulation Shield 12" | 58DVA-IS N/A from FPI    | N/A                  | N/A                  | N/A              | VDV-AIS05          |

|                                      |           |         |     |         |          |
|--------------------------------------|-----------|---------|-----|---------|----------|
| Basic Horizontal Termination Kit (A) | N/A       | 5DT-HKA | N/A | TM-5HTK | VDV-KW05 |
| Horizontal Termination Kit (B)       | 58DVA-KHA | 5DT-HKB | N/A | TM-5HTK | VDV-K05  |
| Vertical Termination Kit             | 58DVA-VHA | 5DT-VKC | N/A | N/A     | N/A      |

|                                   |           |         |      |         |           |
|-----------------------------------|-----------|---------|------|---------|-----------|
| High Wind Vertical Cap            | 58DVA-VCH | N/A     | N/A  | TM-5VT  | VDV-VCH05 |
| High Wind Horizontal Cap          | N/A       | N/A     | N/A  | TM-5DHT | N/A       |
| Horizontal Square Termination Cap | N/A       | 5DT-HHC | 5DHT | N/A     | VDV-HC05  |
| Vertical Termination Cap          | N/A       | 5DT-HVC | 5DVT | N/A     | N/A       |
| Storm Collar                      | 58DVA-SC  | 5DT-SC  | 5DSC | TM-SC   | VDV-SC05  |

|                                |           |          |        |        |           |
|--------------------------------|-----------|----------|--------|--------|-----------|
| Adjustable Flashing 0/12-6/12  | 58DVA-F6  | 5DT-AF6  | 5DF    | TF-5FA | VDV-F0506 |
| Adjustable Flashing 6/12-12/12 | 58DVA-F12 | 5DT-AF12 | 5DF1-2 | TF-5FB | VDV-F0512 |

|                           |           |         |      |        |         |
|---------------------------|-----------|---------|------|--------|---------|
| Vinyl Siding Standoff     | 58DVA-VSS | 5DT-VS  | 5DVS | TM-VSS | VDV-SSO |
| Vinyl Siding Shield Plate | N/A       | 5DT-VSP | N/A  | N/A    | N/A     |

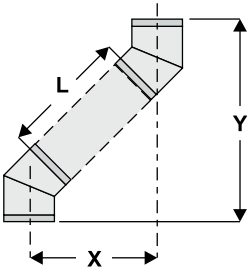
|                         |                         |     |     |          |     |
|-------------------------|-------------------------|-----|-----|----------|-----|
| Snorkel Termination 14" | 58DVA-SNK14             | N/A | N/A | TM-5ST14 | N/A |
| Snorkel Termination 36" | 58DVA-SNK36 (N/A - FPI) | N/A | N/A | TM-5ST36 | N/A |

|                          |          |     |     |        |     |
|--------------------------|----------|-----|-----|--------|-----|
| Restrictor Disk          | 58DVA-RD | N/A | N/A | TM-5DS | N/A |
| Colinear Flex Connectors | N/A      | N/A | N/A | N/A    | N/A |

| FPI       |  |             |                                     |
|-----------|--|-------------|-------------------------------------|
| 946-604/P | Simpson Direct Vent or Astro Cap -Vent Guard (Optional)              | 946-623/P   | AstroCap XL Horizontal Cap          |
| 770-994   | Rigid Pipe Adaptor (Must use with all rigid piping)                  | **946-506/P | Vent Guard (Optional)               |
| **946-606 | Starter collar reducer 5" x 8" to 4" x 6-5/8" (B36XTE, B36XTCE ONLY) | 946-625     | Vinyl Siding Standoff - AstroCap XL |

\* Olympia Ventis DV applicable for the following units only: B36XTE, B36XTCE, B41XTE, B41XTCE, CV40E, CB40E, CC40E, CV72E, P36, P36E, U1500E

**Note:** When using Metal-Fab Sure Seal Rigid Piping - please note that the Adaptor (5DDA) must be used in conjunction with FPI Rigid Pipe Adaptor (770-994).  
**\*\* Not available/applicable for the following units: B41XTE, B41XTCE, CV72E, HZ54E, U1500E**

| Offset Pipe Selection: Use this table to determine offset pipe lengths. |                   |                   |  | For specific instructions on venting components - visit the manufacturers website listed below.<br><br>Simpson Direct Vent Pro: <a href="http://www.duraavent.com">www.duraavent.com</a><br>Selkirk Direct-Temp: <a href="http://www.selkirkcorp.com">www.selkirkcorp.com</a><br>Metal-Fab Sure Seal: <a href="http://www.mtlfab.com">www.mtlfab.com</a><br>Industrial Chimney Company: <a href="http://www.icc-rsf.com">www.icc-rsf.com</a><br>Olympia Ventis DV: <a href="http://www.olympiachimney.com">www.olympiachimney.com</a><br><br><b>Note:</b> Horizontal runs of vent must be level, or have a 1/4" rise for every 1 foot of run towards the termination.<br>Never allow the vent to run downward - this could cause high temperatures and may present a possible fire hazard. |
|---|-------------------|-------------------|---|--|
| Pipe Length (L)   | 5" x 8" Venting   |                   |   |  |
|   | Run (X)           | Rise (Y)          |   |  |
| 0" (0mm)  | 5-11/16" (144mm)  | 15-5/16" (389mm)  |   |  |
| 6" (152mm)  | 8-13/16" (224mm)  | 18-7/16" (468mm)  |   |  |
| 9" (229mm)  | 10-15/16" (278mm) | 20-9/16" (522mm)  |   |  |
| 12" (305mm)   | 13" (330mm)       | 22-11/16" (576mm) |   |  |
| 24" (610mm)   | 21-7/16" (697mm)  | 31-1/16" (789mm)  |   |  |
| 36" (914mm)   | 29-13/16" (757mm) | 39-7/16" (1002mm) |   |  |
| 48" (1219mm)  | 38-1/4" (972mm)   | 47-7/8" (1216mm)  |   |  |

# installation

## RIGID PIPE VENTING SYSTEMS

### BASIC HORIZONTAL & VERTICAL TERMINATIONS

Rigid Pipe Vent Systems offer a complete line of component parts for installation of both horizontal and vertical installations. Many items are offered in decorative black, as well as galvanized finish.

**The minimum components required for a basic Horizontal Termination are:**

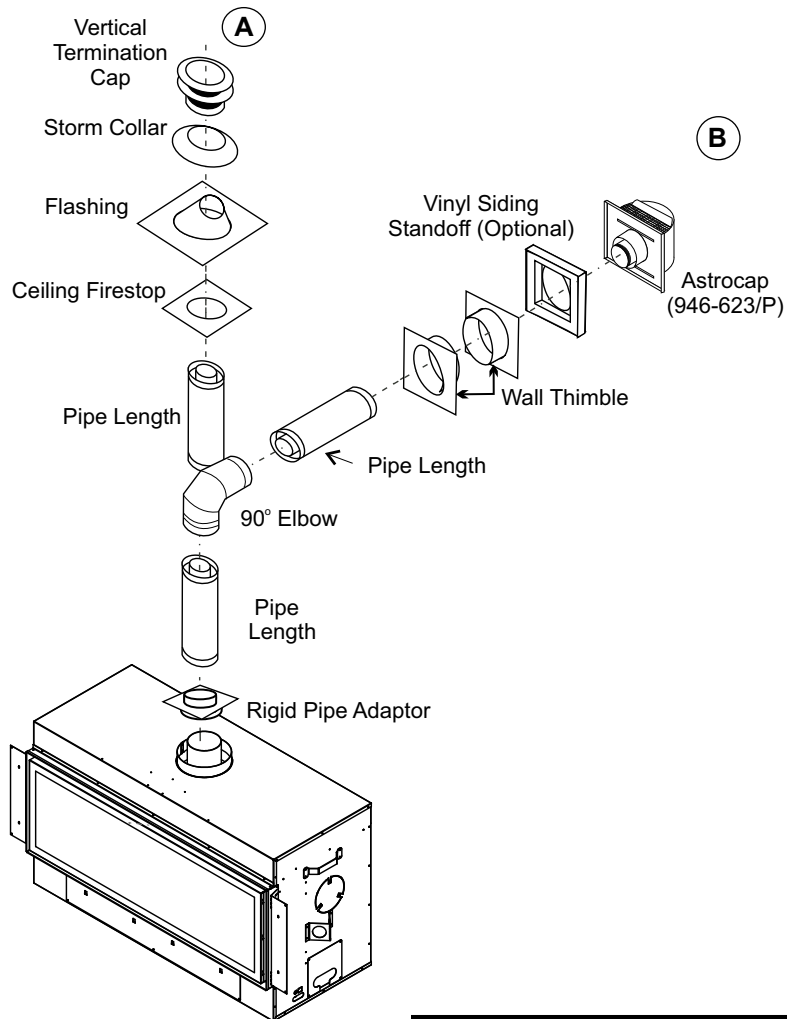
- 1 AstroCap XL Termination Cap
- 1 90° Elbow
- 1 Rigid Pipe Adaptor
- 1 Wall Thimble
- 1 Length of rigid pipe to suit wall thickness

**The minimum components required for a basic Vertical Termination are:**

- 1 Vertical Termination Cap
- 1 Rigid Pipe Adaptor
- 1 Lengths of pipe to adequately penetrate roof
- 1 Ceiling Firestop
- 1 Flashing
- 1 Storm Collar

Wall thickness is measured from the back standoffs to the inside mounting surface of termination cap. For siding other than vinyl, furring strips may be used, instead of a vinyl siding standoff, to create a level surface to mount the vent terminal. The Terminal must not be recessed into siding. Measure the wall thickness including furring strips.

If a Vinyl Siding Standoff is required (it must be used with vinyl siding), measure to outside surface of wall without siding and add 2 inches.



**WARNING:**

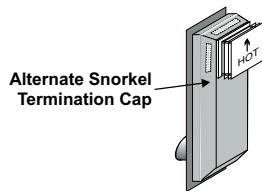
Do not combine venting components from different venting systems.

Exception: However, use of the the AstroCap XL™ is acceptable with all systems.

This product has been evaluated by Intertek when using a rigid pipe adaptor and use of any of the specific chimney systems listed in this manual. Use of these systems with the rigid pipe adaptor is deemed acceptable and does not affect the Intertek WHI listing of these components.

When using Rigid Vent other than Simpson Dura-Vent, 3 screws must be used to secure rigid pipe to adaptor.

**Alternate Horizontal Termination Caps**



The Regency AstroCap™ and Regency Riser Vent terminal are certified for installations using Regency venting systems as well as any specific chimney systems listed in this manual. AstroCap™ is a proprietary trademark of Regency Fireplace Products.

## VENTING INTRODUCTION

The U1500E uses the "balanced flue" technology Co-Axial system. The inner liner vents products of combustion to the outside while the outer liner draws outside combustion air into the combustion chamber thereby eliminating the need to use heated room air for combustion and losing warm room air up the chimney.

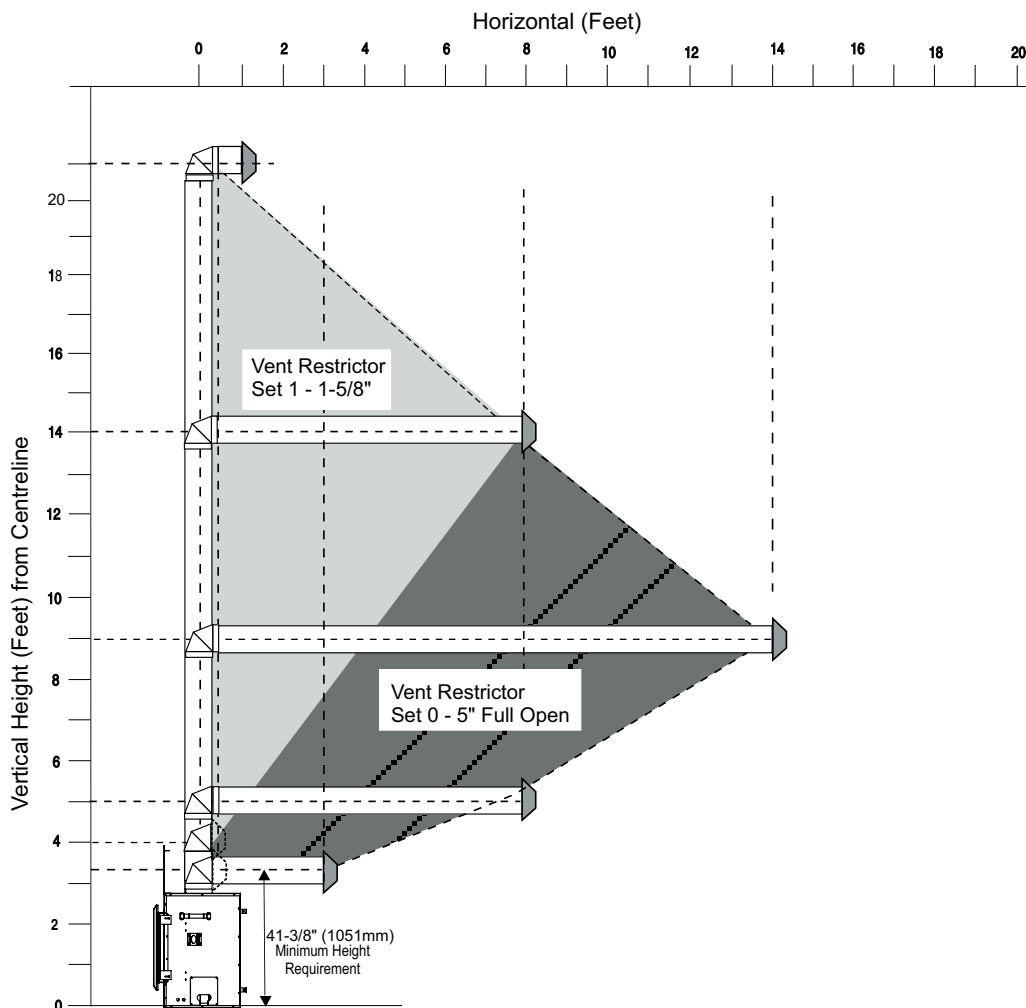
**Note:** These flue pipes must not be connected to any other appliance.

The gas appliance and vent system must be vented directly to the outside of the building, and never be attached to a chimney serving a separate solid fuel or gas burning appliance. Each direct vent gas appliance must use its own separate vent system. Common vent systems are prohibited.

## VENTING ARRANGEMENT FOR HORIZONTAL TERMINATIONS

The diagram shows all allowable combinations of vertical runs with horizontal terminations, using one 90° (two 45° elbows equal one 90° elbow).

**Note:** Must use optional rigid pipe adapter (Part# 770-994) when using Rigid Pipe Venting Systems.



### VENT RESTRICTOR SETTING:

**Vent restrictor factory set at Set 0.**

Refer to the "Vent Restrictor Position" section for details on how to change the vent restrictor from the factory setting of Set 0 to Set 1 if required.

**Note:** For horizontal terminations the Regency Direct Vent Flex System may be used for installations with a maximum continuous vent length of up to 10 feet. If longer runs are required, rigid pipe must be used.

- Maintain clearances to combustibles as listed in "Clearances" section
- Horizontal vent must be supported every 3 feet.
- Firestops are required at each floor level and whenever passing through a wall.
- A vent guard should be used whenever the termination is lower than the specified minimum or as per local codes.

# installation

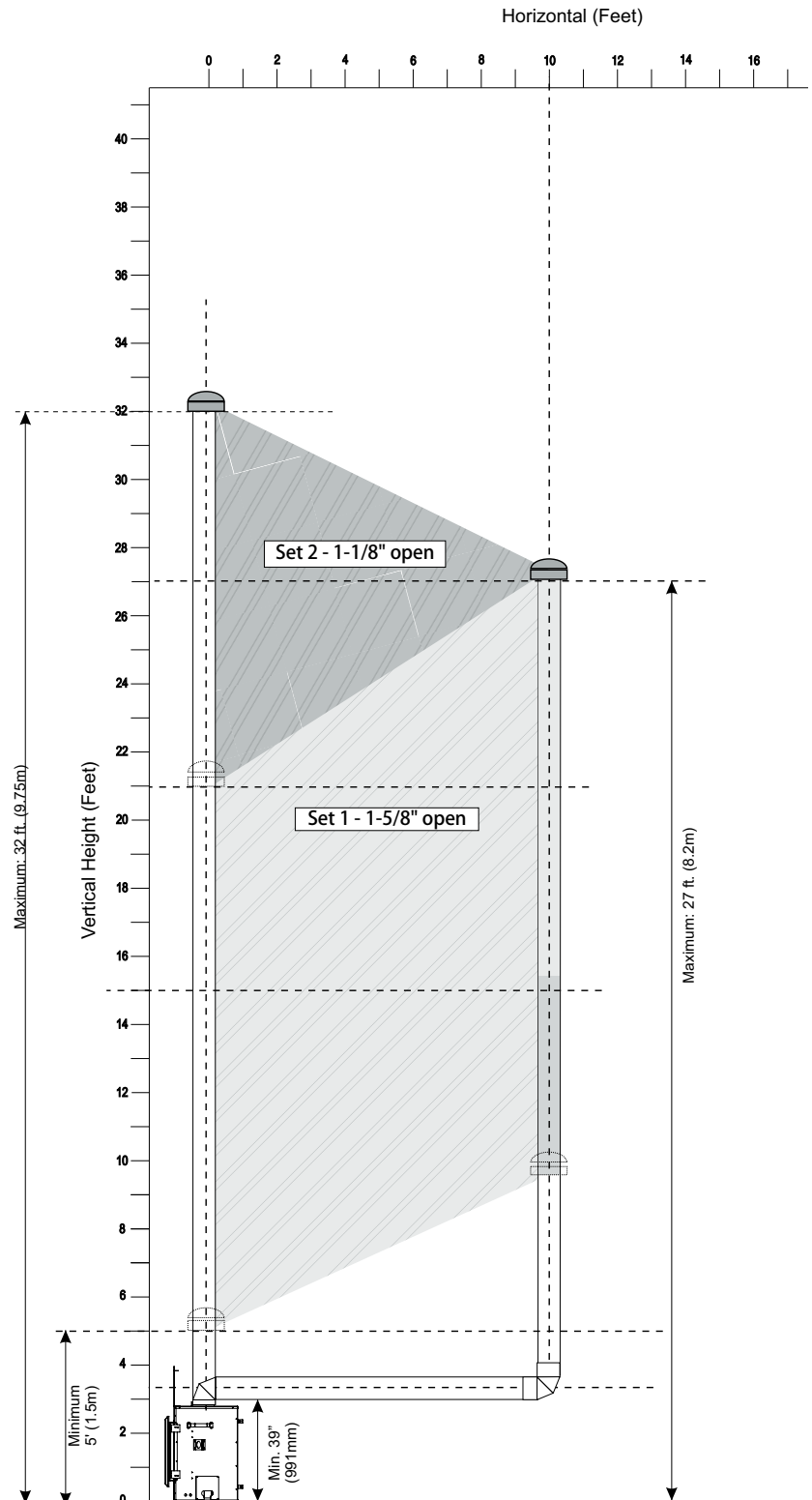
## VENTING ARRANGEMENT FOR VERTICAL TERMINATIONS

### Vertical Venting with One (1) 90° Elbows (1 - 90° = 2 - 45°) with straight Vertical and or a maximum offset using 2 - 90° elbows

The shaded area in the diagram shows all allowable combinations of straight vertical and offset to vertical terminations, using one 90° elbow, with **Rigid Pipe Venting Systems**.

Two 45° elbows equal to one 90° elbow.

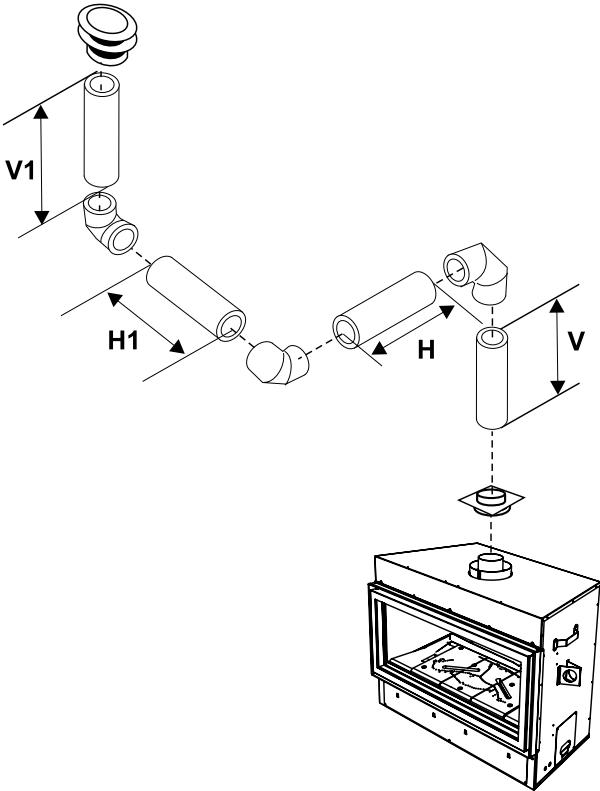
- Vent must be supported at offsets.
- Minimum distance between elbows is 1 ft. (305mm).
- Maintain clearances to combustibles as listed in the "Clearances" section.
- Horizontal vent must be supported every 3 feet.
- Firestops are required at each floor level and whenever passing through a wall.
- Must use optional rigid pipe adaptor (Part# 770-994) when using rigid pipe vent systems.
- Refer to the "Vent Restrictor Position" section for details on how to change the vent restrictor from the factory setting of Set 0 to Set 1 or Set 2 if required.



Vertical Venting with Three (3) 90° Elbows

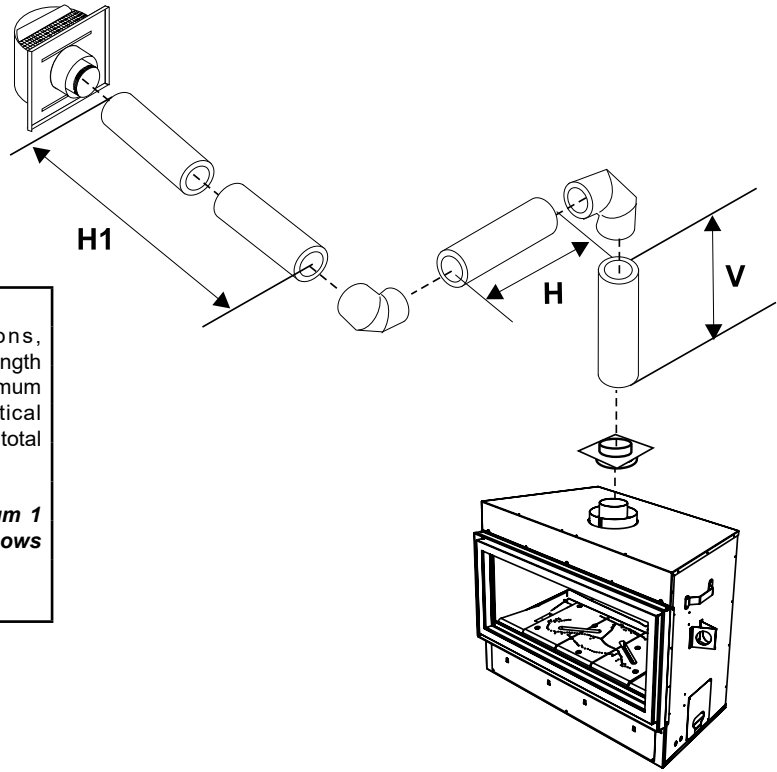
One 90° elbow = Two 45° elbows.

| Option                                | V       | H + H1  | V + V1   |   |
|---------------------------------------|---------|---------|----------|---|
| A)                                    | 0' Min. | 2' Max. | 2' Min.  | With these options, max. total pipe length is 30 feet with min. of 10 feet total vertical and max. 8 feet total horizontal.<br><br><b>Please note min. 1 foot between 90° elbows is required.</b> |
| B)                                    | 1' Min. | 2' Max  | 3' Min.  |   |
| C)                                    | 2' Min. | 3' Max  | 4' Min.  |   |
| D)                                    | 3' Min. | 4' Max  | 6' Min.  |   |
| E)                                    | 4' Min. | 5' Max  | 7' Min.  |   |
| F)                                    | 5' Min. | 6' Max  | 8' Min.  |   |
| G)                                    | 6' Min. | 7' Max  | 9' Min.  |   |
| H)                                    | 7' Min. | 8' Max  | 10' Min. |   |
| Restrictor Set 0 - 5" Factory Setting |         |         |          |   |



# installation

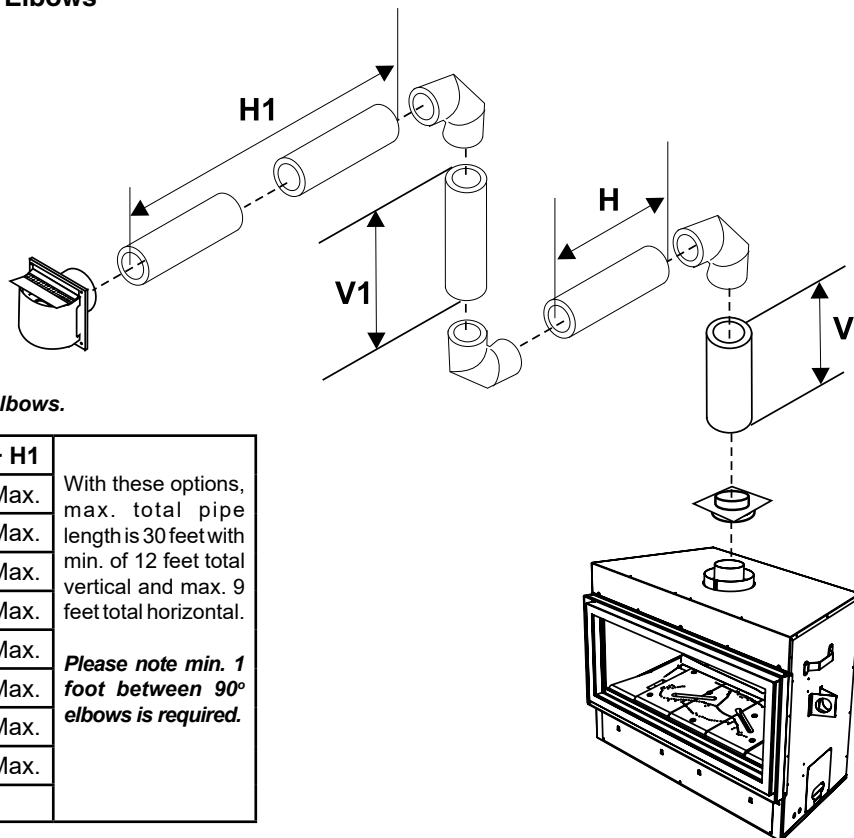
## Horizontal Venting with Two (2) 90° Elbows



One 90° elbow = Two 45° elbows.

| Option                                | V       | H + H1  |   |
|---------------------------------------|---------|---------|---|
| A)                                    | 1' Min. | 3' Max. | With these options, maximum total pipe length is 30 feet with minimum of 6 feet total vertical and maximum 8 feet total horizontal. |
| B)                                    | 2' Min. | 4' Max. |   |
| C)                                    | 3' Min. | 5' Max. |   |
| D)                                    | 4' Min. | 6' Max. |   |
| E)                                    | 5' Min. | 7' Max. | <b>Please note minimum 1 foot between 90° elbows is required.</b>   |
| F)                                    | 6' Min. | 8' Max. |   |
| Restrictor Set 0 - 5" Factory Setting |         |         |   |

## Horizontal Venting with Three (3) 90° Elbows



One 90° elbow = Two 45° elbows.

| Option                                | V       | H       | V + V1   | H + H1  |   |
|---------------------------------------|---------|---------|----------|---------|---|
| A)                                    | 0' Min. | 1' Max. | 1' Min.  | 2' Max. | With these options, max. total pipe length is 30 feet with min. of 12 feet total vertical and max. 9 feet total horizontal.<br><br><b>Please note min. 1 foot between 90° elbows is required.</b> |
| B)                                    | 1' Min. | 2' Max. | 3' Min.  | 3' Max. |   |
| C)                                    | 2' Min. | 2' Max. | 5' Min.  | 4' Max. |   |
| D)                                    | 3' Min. | 2' Max. | 7' Min.  | 5' Max. |   |
| E)                                    | 4' Min. | 3' Max. | 9' Min.  | 6' Max. |   |
| F)                                    | 5' Min. | 4' Max. | 10' Min. | 7' Max. |   |
| G)                                    | 6' Min. | 5' Max. | 11' Min. | 8' Max. |   |
| H)                                    | 7' Min. | 6' Max. | 12' Min. | 9' Max. |   |
| Restrictor Set 0 - 5" Factory Setting |         |         |          |         |   |

## UNIT INSTALLATION WITH HORIZONTAL TERMINATION 5" X 8" VENTING (Rigid Vent Systems)

### Minimum Vent Clearances to Combustibles

\* Clearances noted below must be maintained; except when passing through a wall, ceiling or at the termination where the use of a firestop or wall thimble reduces clearance to 1-1/2" (38mm).

|                   |            |
|-------------------|------------|
| Horizontal Top*   | 3" (76mm)* |
| Horizontal Side   | 2" (51mm)  |
| Horizontal Bottom | 2" (51mm)  |
| Vertical Vent     | 2" (51mm)  |

Below are the recommended framing dimensions (inside measurements) for the 5" x 8" rigid vent terminations - for use with a firestop or wall thimble.

Install the vent system according to the manufacturer's instructions included with the components.

1. Set the unit in its desired location. Check to determine if wall studs or roof rafters are in the way when the venting system is attached. If this is the case, you may want to adjust the location of the unit. Rough in the gas preferably on the right side of the unit and the electrical (junction block is on the left side) on the left.
2. Direct Vent pipe and fittings are designed with special twist-lock connections to connect the venting system to the appliance flue outlet. A twist-lock appliance adaptor is required.
3. In conjunction with the Approved Vent system, install the adaptor after the unit is set in its desired location. Slip the adapter over the existing inner and outer flue collar. Fasten to the outer collar only with the 3 supplied screws (drilling pilot holes will make this easier).
4. Level the fireplace and fasten it to the framing using nails or screws through the top and side nailing strips.

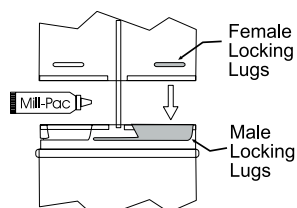


Diagram 1

5. Assemble the desired combination of pipe and elbows to the appliance adaptor and twist-lock for a solid connection.

**Note: For best results and optimum performance with each approved venting system, it is highly recommended to apply "Mill-Pac" sealant (supplied) to every inner pipe connection. Failure to do so may result in drafting or performance issues not covered under warranty.**

**Horizontal runs of vent must be supported every 3 feet (0.9 meter). Wall straps are available for this purpose.**

6. Mark the wall for a square hole-see chart to left for size. The center of the square hole should line up with the center-line of the horizontal pipe. Cut and frame the square hole in the exterior wall where the vent will be terminated. See diagram 4 for center line requirements.

If the wall being penetrated is constructed of non-combustible material, i.e. masonry block or concrete, an 8" (203mm) diameter hole is acceptable.

**Note:**

- a) The horizontal run of vent must be level, or have a 1/4 inch rise for every 1 foot of run towards the termination. Never allow the vent to run downward. This could cause high temperatures and may present the possibility of a fire.
- b) The location of the horizontal vent termination on an exterior wall must meet all local and national building codes, and must not be blocked or obstructed. See "Exterior Vent Termination Locations" section for more details.

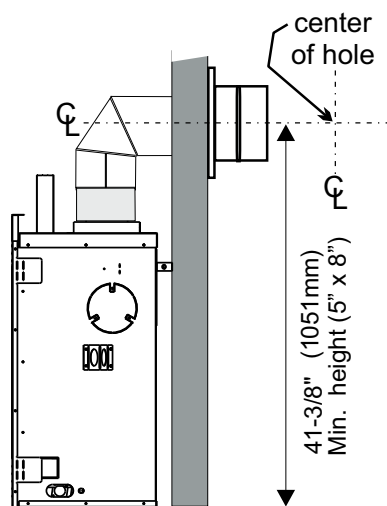


Diagram 2

7. Ensure that the pipe clearances to combustible materials are maintained (Diagram 55). Install the termination cap.

**Note: If installing termination on a vinyl siding covered wall, a vinyl siding standoff or furring strips must be used to ensure that the termination is not recessed into the siding.**

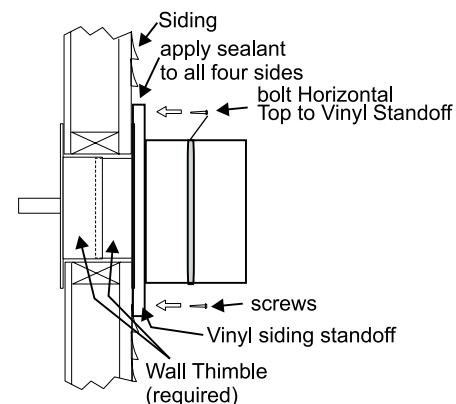


Diagram 3

The four wood screws provided should be replaced with appropriate fasteners for stucco, brick, concrete, or other types of sidings.

8. Before connecting the horizontal run of vent pipe to the vent termination, slide the Wall Thimble over the vent pipe. The wall thimble is required for all horizontal terminations.
9. Slide the appliance and vent assembly towards the wall carefully inserting the vent pipe into the vent cap assembly. It is important that the vent pipe extends into the vent cap sufficient distance so as to result in a minimum pipe overlap of 1-1/4 inches (32mm). Secure the connection between the vent pipe and the vent cap.
10. Install wall thimble in the center of the framed hole and attach with wood screws (Diagram 4).

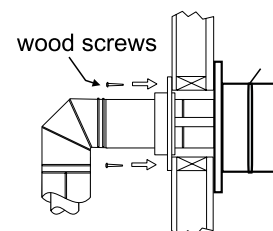


Diagram 4

**IMPORTANT**  
Must use Rear Venting Deflector packaged with unit in rear vent horizontal termination applications.

# installation

## UNIT INSTALLATION WITH VERTICAL TERMINATION 5" X 8" VENTING

**(Rigid Vent Systems)  
MUST USE RIGID PIPE  
ADAPTOR #770-994**

\* Clearances noted below must be maintained; except when passing through a wall, ceiling or at the termination where the use of a firestop or wall thimble reduces clearance to 1-1/2" (38mm).

- Maintain the 2" clearances (air spaces) to combustibles when passing through ceilings, walls, roofs, enclosures, attic rafter, or other nearby combustible surfaces. Do not pack air spaces with insulation. Check "Venting" Sections for the maximum vertical rise of the venting system and the maximum horizontal offset limitations.

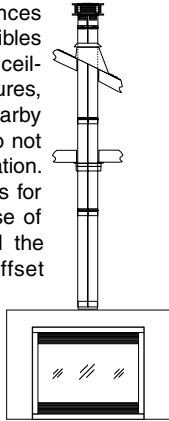


Diagram 1

- Set the gas appliance in its desired location. Drop a plumb bob down from the ceiling to the position of the appliance flue exit, and mark the location where the vent will penetrate the ceiling. Drill a small hole at this point. Next, drop a plumb bob from the roof to the hole previously drilled in the ceiling, and mark the spot where the vent will penetrate the roof.
- A Firestop spacer must be installed in the floor or ceiling of every level. To install the Firestop spacer in a flat ceiling or wall, cut a 11 inch square hole. Frame the hole as shown in Diagram 2 and install the firestop.

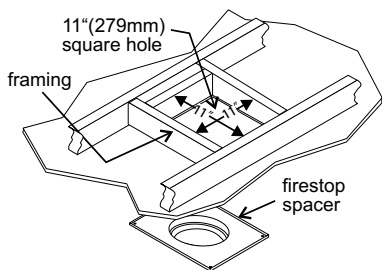


Diagram 2

**Note: All vertical terminations are vented using 5" x 8" venting and rigid pipe adaptor #770-994.**

- Assemble the desired lengths of pipe and elbows. Ensure that all pipes and elbow connections are in the fully twist-locked position and sealed.

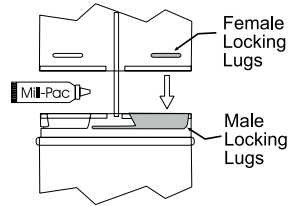


Diagram 3

**NOTE: For best results and optimum performance with each approved venting system, it is highly recommended to apply "Mill-Pac" sealant (supplied) to every inner pipe connection. Failure to do so may result in drafting or performance issues not covered under warranty.**

- Cut a hole in the roof centered on the small drilled hole placed in the roof in Step 2. The hole should be of sufficient size to meet the minimum requirements for clearance to combustibles of 2". Slip the flashing under the shingles (shingles should overlap half the flashing) as per Diagram 4.

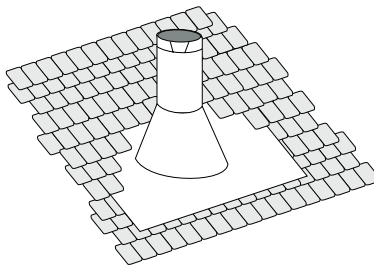


Diagram 4

*The upper half of the flashing is installed under the roofing material and not nailed down until the chimney is installed. This allows for small adjustments.*

- Continue to assemble pipe lengths.

**Note: If an offset is necessary in the attic to avoid obstructions, it is important to support the vent pipe every 3 feet, to avoid excessive stress on the elbows, and possible separation. Wall straps are available for this purpose.**

Galvanized pipe is desirable above the roofline due to its higher corrosion resistance. Continue to add pipe sections through the flashing until the height of the vent cap meets the minimum height requirements specified in Dia.5 or local codes. Note that for steep roof pitches, the vertical height must be increased. A poor draft, or down drafting can result from high wind conditions near big trees or adjoining roof lines, in these cases, increasing the vent height may solve the problem.

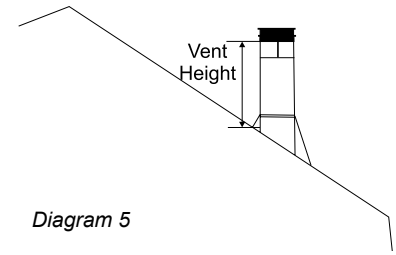


Diagram 5

| Roof Pitch          | Minimum Vent Height |        |
|---------------------|---------------------|--------|
|                     | Feet                | Meters |
| flat to 7/12        | 2                   | 0.61   |
| over 7/12 to 8/12   | 2                   | 0.61   |
| over 8/12 to 9/12   | 2                   | 0.61   |
| over 9/12 to 10/12  | 2.5                 | 0.76   |
| over 10/12 to 11/12 | 3.25                | 0.99   |
| over 11/12 to 12/12 | 4                   | 1.22   |
| over 12/12 to 14/12 | 5                   | 1.52   |
| over 14/12 to 16/12 | 6                   | 1.83   |
| over 16/12 to 18/12 | 7                   | 2.13   |
| over 18/12 to 20/12 | 7.5                 | 2.29   |
| over 20/12 to 21/12 | 8                   | 2.44   |

- Ensure vent is vertical and secure the base of the flashing to the roof with roofing nails, slide storm collar over the pipe section and seal with a mastic.
- Install the vertical termination cap by twist-locking it.

*Note: Any closets or storage spaces, which the vent passes through must be enclosed.*

## GAS LINE INSTALLATION

The gas line is brought through the right side of the appliance. The gas valve is situated on the right hand side of the unit and the gas inlet is on the right hand side of the valve.

The gas line connection may be made of rigid pipe, copper pipe or an approved flex connector. (If you are using rigid pipe, ensure that the valve can be removed for servicing.) Since some municipalities have additional local codes it is always best to consult with your local authorities and the CAN/CGA B149 installation code.

For USA installations follow local codes and/or the current National Fuel Gas Code, ANSI Z223.1.

When using copper or flex connectors use only approved fittings. Always provide a union so that gas lines can be easily disconnected for servicing. Flare nuts for copper lines and flex connectors are usually considered to meet this requirement.

**Important: Always check for gas leaks with a soap and water solution or gas leak detector. Do not use open flame for leak testing.**

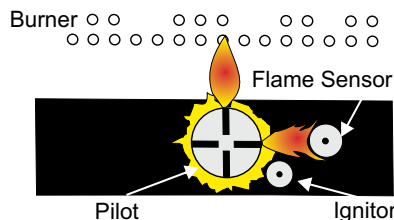


| U1500E-NG SYSTEM DATA    |                        |
|--------------------------|------------------------|
| Min. Supply Pressure     | 5" WC (1.25 kpa)       |
| Max. Supply Pressure     | 1/2" Psi (3.45 kpa)    |
| Manifold Pressure - High | 3.5" WC (0.87 kpa)     |
| Manifold Pressure - Low  | 1.6" WC (0.40 kPa)     |
| Orifice Size             | #30 DMS                |
| Maximum Input            | 43,000 Btu/h (12.6 kW) |
| Minimum Input            | 29,000 Btu/h(8.49 KW)  |

| U1500E-LP SYSTEM DATA  |                        |
|------------------------|------------------------|
| Min. Supply Pressure   | 11" WC (2.73 kpa)      |
| Max. Supply Pressure   | 1/2" Psi (3.45 kpa)    |
| Manifold Pressure-High | 10" WC (2.49 kpa)      |
| Manifold Pressure-Low  | 6.4" WC (1.60 kpa)     |
| Orifice Size           | #48 DMS                |
| Maximum Input          | 42,000 Btu/h (12.3 kW) |
| Minimum Input          | 33,500 Btu/h (9.82 KW) |

## PILOT ADJUSTMENT

Periodically check the pilot flames. Correct flame pattern has two strong blue flames: 1 flowing around the flame sensor and 1 flowing across the burner (it does not have to be touching the burner).

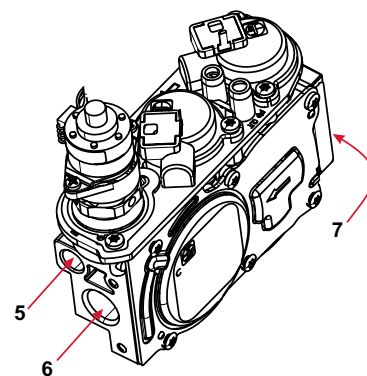
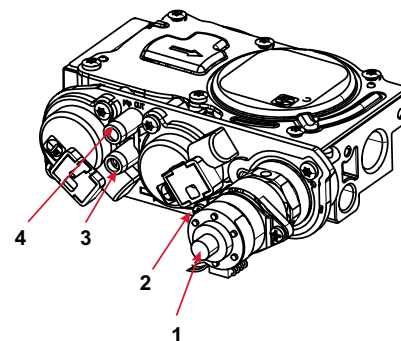


**Note:** If you have an incorrect flame pattern, contact your Regency® dealer for further instructions.

Incorrect flame pattern will have small, probably yellow flames, not coming into proper contact with the rear burner or flame sensor.

## 885 S.I.T. VALVE DESCRIPTION

- 1) 6 Stage flame adjustment
- 2) Pilot adjustment
- 3) Outlet Pressure Tap
- 4) Inlet Pressure Tap
- 5) Pilot Outlet
- 6) Main Gas Outlet
- 7) Main Gas Inlet



## HIGH ELEVATION

This unit is approved for altitude 0 to 4500 ft. (CAN1 2.17-M91.

## GAS LINE INSTALLATION

Since some municipalities have additional local codes it is always best to consult with your local authorities and the CAN/CGA B149 installation code.

For USA installations follow local codes and/or the current National Fuel Gas Code, ANSI Z223.1.

When using copper or flex connectors use only approved fittings. Always provide a union so that gas lines can be easily disconnected for servicing. Flare nuts for copper lines and flex connectors are usually considered to meet this requirement.

**NOTE:** A shutoff / dante valve should be supplied in or near the unit (or as per local codes) for ease of servicing this appliance.

**IMPORTANT:** Always check for gas leaks with a soap and water solution or gas leak detector. Do not use open flame for leak testing.

## GAS PIPE PRESSURE TESTING

The appliance must be isolated from the gas supply piping system by closing its individual manual shut-off valve during any pressure testing of the gas supply piping system at test pressures equal to or less than 1/2 psig. (3.45 kPa). Disconnect piping from valve at pressures over 1/2 psig.

The manifold pressure is controlled by a regulator built into the gas control, and should be checked at the pressure test point.

**Note:** To properly check gas pressure, both inlet and manifold pressures should be checked using the valve pressure ports on the valve.

1. Make sure the unit is in the "OFF" position.
2. Loosen the "IN" and/or "OUT" pressure tap(s), turning counterclockwise with a 1/8" wide flat screwdriver.
3. Attach manometer to "IN" and/or "OUT" pressure tap(s) using a 5/16" ID hose.
4. Turn the unit on with the remote or wall switch
5. The pressure check should be carried out with the unit burning and the setting should be within the limits specified on the safety label.
6. When finished reading manometer, turn off the unit, disconnect the hose and tighten the screw (clockwise) with a 1/8" flat screwdriver. **Note: Screw should be snug, but do not over tighten.**

# installation

## CONVERSION FROM NG TO LP

**THIS CONVERSION MUST BE DONE BY A QUALIFIED GAS FITTER  
IF IN DOUBT DO NOT DO THIS CONVERSION !!**

| Each Kit contains one LP / ULPG Conversion Kit |         |                         |
|--|---------|-------------------------|
| Qty.   | Part #  | Description             |
| 1  | 904-622 | Burner Orifice #48 LP   |
| 1  | 918-590 | Decal "Converted to LP" |
| 1  | 908-528 | Red Propane Label       |
| 1  | 911-011 | Stepper Motor           |
| 1  | 904-529 | 5/32" Allen Key         |
| 1  | 910-101 | Injector Orifice LP #35 |
| 1  | 919-794 | Instruction Sheet       |

**CONVERTING THE APPLIANCE PRIOR TO INSTALLATION OF UNIT OR WALL FACING MATERIAL IS RECOMMENDED AS THIS WILL ALLOW ACCESS TO THE BOTTOM PANEL.**

**PRIOR TO CONVERSION, ENSURE UNIT HAS COOLED TO ROOM TEMPERATURE, ALL POWER IS DISCONNECTED AND GAS SUPPLY IS TURNED OFF.**

1. Remove faceplate, inner frame, glass door, front trim piece- see instructions in this manual.
2. Remove Logs.
3. Remove Inner panels (see detailed instructions in unit manual).
4. Remove burner side panels by lifting out as shown in Diagram 1.

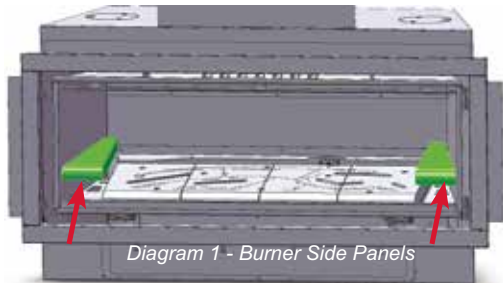


Diagram 1 - Burner Side Panels

5. Remove rear log tray by removing 3 screws and remove 2 screws on each side to remove left and right ceramic mounting brackets as shown in Diagram 2 below.

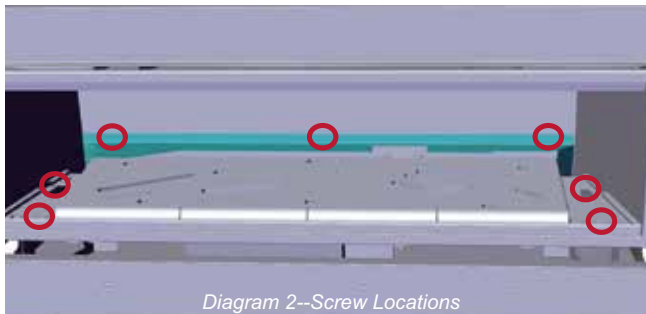


Diagram 2--Screw Locations

6. Remove burner by removing 3 screws in locations shown below.

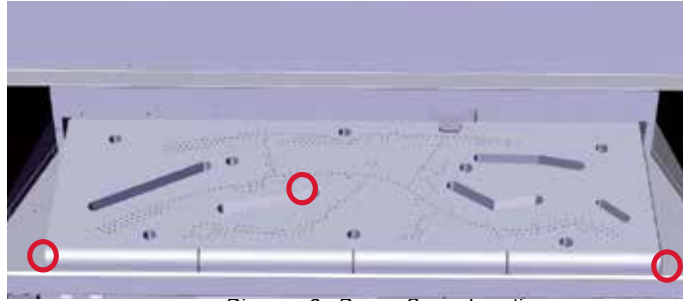


Diagram 3 - Burner Screw Locations

7. Remove pilot retainer clip with pliers and pull off the pilot cap to expose the pilot orifice.



Pilot retainer clip



8. Pull off the pilot cap to expose the pilot orifice (see below).

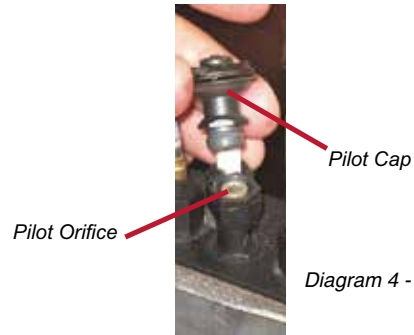
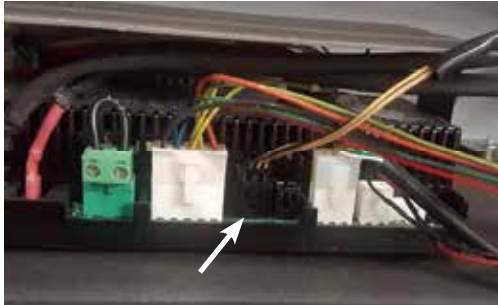


Diagram 4 - Remove Pilot Cap

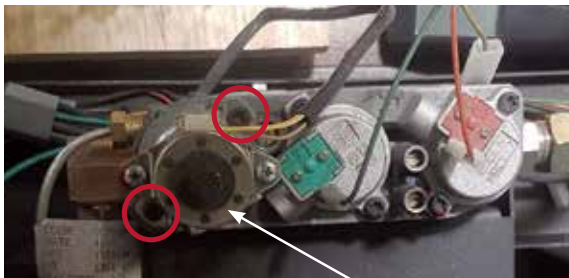
9. Unscrew the pilot orifice with the Allen key and replace with the LP-pilot orifice in the kit and replace pilot cap (see below).



10. Reinstall new burner orifice LP and tighten.
11. Replace the yellow "NG" label with the red "LP" label.
12. Disconnect the NG stepper motor wires from the receiver in location shown below.

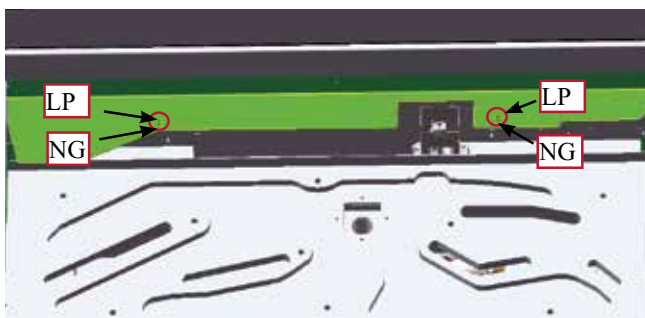


13. Remove NG stepper motor by removing 2 screws in locations shown below. Replace with LP stepper motor, secure in place with 2 screws.



*Stepper Motor*

14. Connect the LP stepper motor to the receiver (same port the NG stepper motor was removed).
15. Adjust burner's air shutter to fully open for LP.
16. Remove the rear log pins from the log tray (log pins are held in by 1 screw for each pin) Relocate the log pins from the forward position (NG) to the rearward position (opening closer to the back wall of the unit) (LP) as shown below. Secure the pins in the new location using the same pins and screws removed.



17. Reverse steps 6-1.
18. Turn on gas supply and plug in power cord.
19. Check for gas leaks.
20. Check inlet and outlet pressures.
21. Check operation of flame control.

**Installer Notice:**  
**These instructions must be left with the appliance.**

# installation

## AERATION ADJUSTMENT

The burner aeration is factory set but may need adjusting due to either the local gas supply or altitude. Open the air shutter for a blue flame or close for a more yellow flame.

### Minimum Air Shutter Opening:

NG 3/8" Open  
LP Fully Open

**Note:** Any damage due to carboning resulting from improperly setting the aeration controls is **NOT** covered under warranty.

To access the air shutter, the burner needs to be removed. See below instructions to remove the burner.

**PRIOR TO REMOVING THE BURNER, ENSURE UNIT HAS COOLED TO ROOM TEMPERATURE, ALL POWER IS DISCONNECTED AND GAS SUPPLY IS TURNED OFF.**

1. Remove faceplate, inner frame, glass door, front deflector - see instructions in this manual.
2. Remove logs.
3. Remove burner side panels by lifting out as shown in Diagram 1.

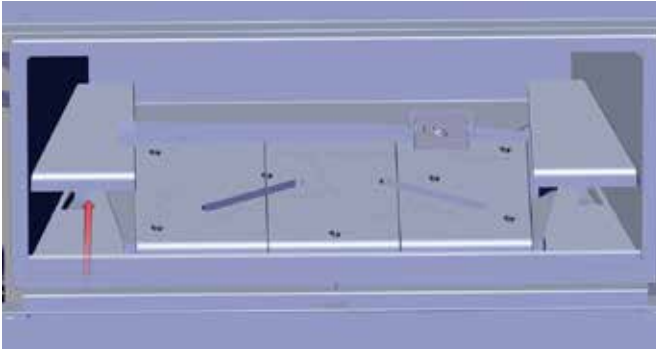


Diagram 1 - Burner Side Panels

4. Remove enamel side panels by loosening the 2 screws (1 per side) in locations noted and remove the 2 clips (see panel instructions in this manual for detailed instructions if required).
5. Remove front lip by removing 2 screws located on firebox floor.
6. Remove rear log tray by removing 3 screws as shown in Diagram 2 below.
7. Remove 2 screws on each side to remove ceramic mounting brackets.

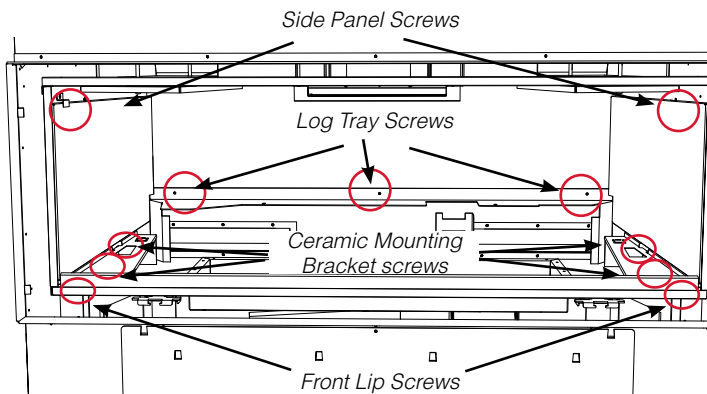


Diagram 2 - Side Panel, Front Lip, Ceramic Mounting Bracket & Log Tray Screw Locations

8. Remove burner by removing 3 screws in locations shown below.

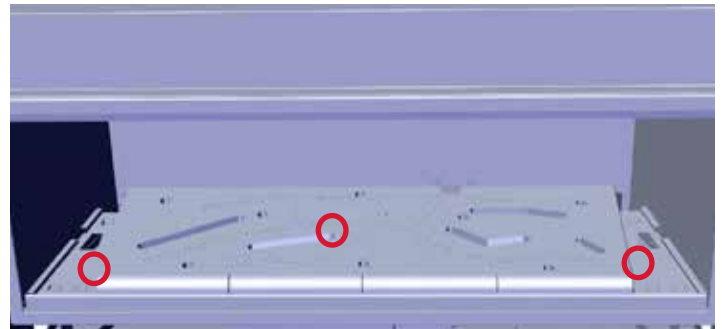


Diagram 3 - Burner Screw Locations

9. You can now access the air shutter and adjust the aeration.

WIRING DIAGRAM

**WARNING:**  
**Electrical Grounding**  
**Instructions**  
 This appliance is equipped with a three pronged (grounding) plug for your protection against shock hazard and should be plugged directly into a properly grounded three-prong receptacle. Do not cut or remove the grounding prong from this plug.

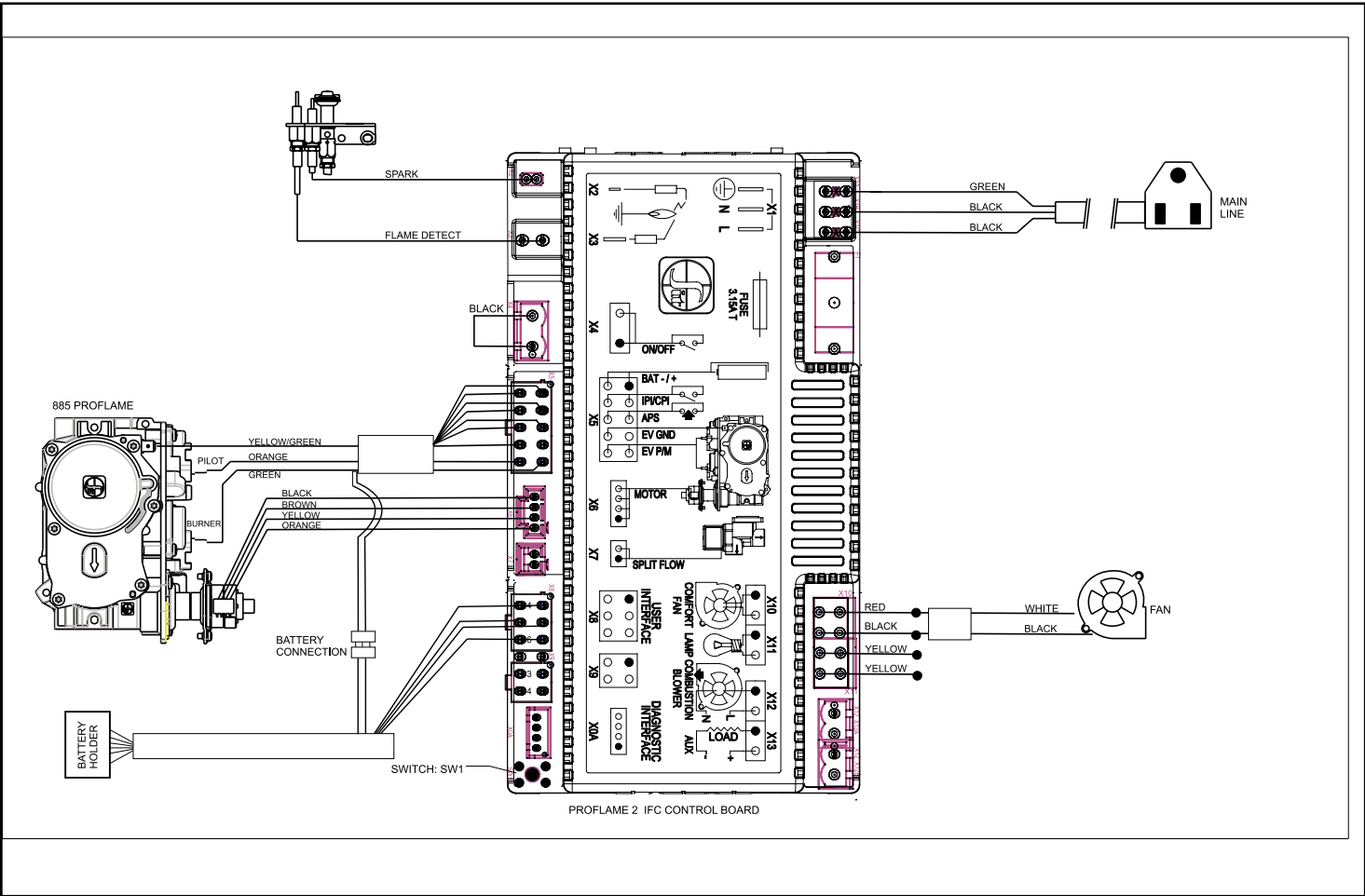
This heater does not require a 120V A.C. supply for operation. In case of a power failure, the remote control/thermostat will continue to operate.

**CAUTION:** Ensure that the wires do not touch a hot surface and are away from sharp edges.

However, a 120V A.C. power supply is needed for the fan/blower operation.

**Note:**  
 4 AA Batteries must be installed into the wall mounted battery holder, however for this unit to operate when power is lost. See battery back up instructions in this manual. The fan will not operate during a power outage.

**DISCONNECT POWER SUPPLY TO UNIT PRIOR TO WORKING ON ELECTRICAL COMPONENTS.**



**CAUTION:** Label all wires prior to disconnection when servicing controls. Wiring errors can cause improper and dangerous operation.

# installation

## LOG SET INSTALLATION

Read the instructions below carefully and refer to the images. If the logs are broken do not use the unit until they are replaced. Broken logs can interfere with pilot operation.

Improper positioning of the logs may create carbon build-up and can alter the unit's performance which is not covered under warranty.

Log kit # 606-930 contains the following pieces:

|   | Description                   |
|---|-------------------------------|
| 1 | Log 1-Rear Log                |
| 1 | Log 2- Left log               |
| 1 | Log 3- Center Log             |
| 1 | Log 4- Right Log              |
| 1 | Log 5- Front left Log Piece   |
| 1 | Log 6- Front Center Log piece |
| 1 | Log 7- Front Right Log piece  |
| 1 | Bag Embers                    |

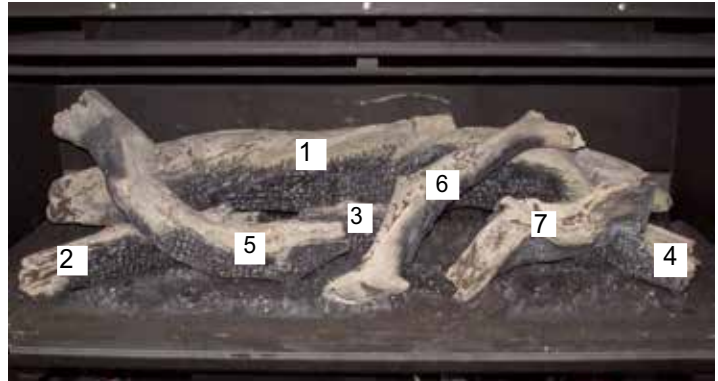


Diagram 1  
Complete Log Install and Log Identification

- Line up locators on Log 2 with corresponding locators on Ceramic Log Burner as shown in Diagram 4 and 5.

- Install the supplied embers on exposed screw holes located on top of the ceramic burner as shown in Diagram 2.

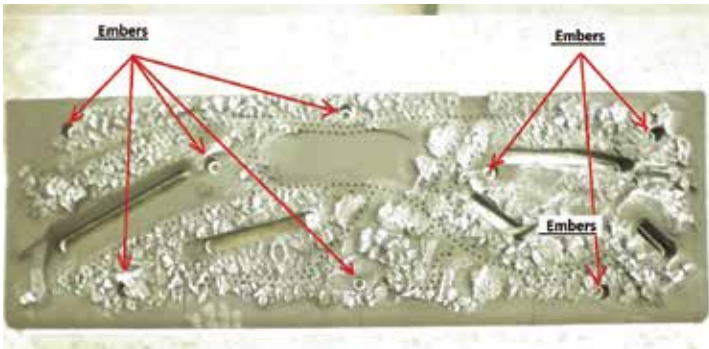


Diagram 2

- Line up locators on Log 1 with corresponding locators on Log Tray as shown in Diagram 3.



Diagram 3

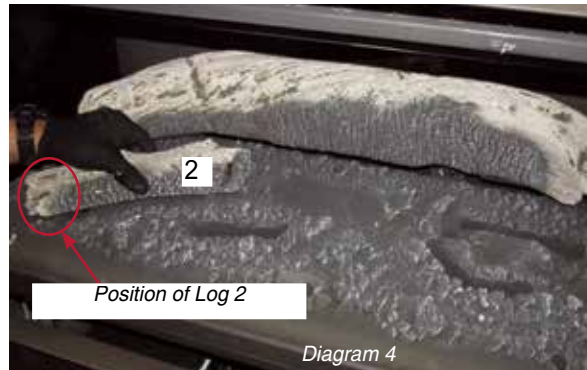


Diagram 4



Diagram 5  
Log 2 should perfectly fit into this space

- Line up locator on Log 3 with corresponding locator on Ceramic Log Burner as shown in Diagram 6.



Diagram 6

5. Line up locator on Log 4 with corresponding locator on Ceramic Log Burner as shown in Diagram 7.



Diagram 7

6. Rest Log 6 on Log 1 and also on the Ceramic log Burner as shown in Diagram 10.

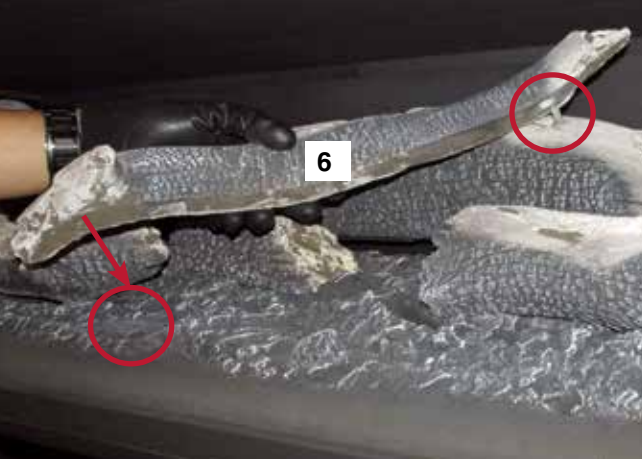


Diagram 10

6. Rest Log 5 on Log 2 and Log 1 and also on the Ceramic log Burner as shown in Diagram 8 and Diagram 9.



Diagram 8

7. Rest Log 7 on Log 4 and also on the ceramic Log Burner as shown in Diagram 11.

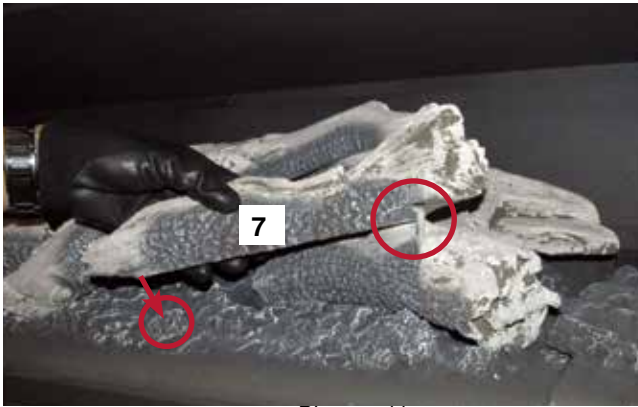


Diagram 11

8. Log 7 in final position shown in Diagram 12.



Diagram 12

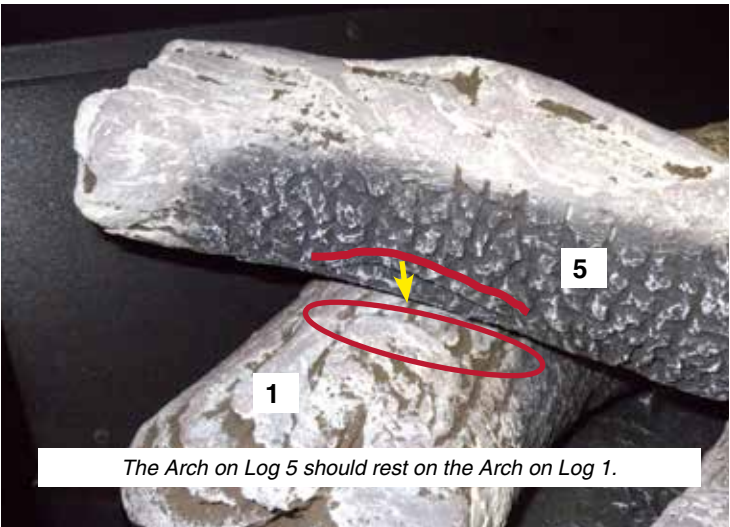


Diagram 9

# installation

## FRONT TRIM & DEFLECTOR REMOVAL / INSTALLATION

1. Remove faceplate, inner door frame, and glass door if already installed - see instructions in this manual.
2. Remove two (2) screws in locations shown below to remove front trim piece.
3. Loosen the 5 screws in locations shown below to remove top deflector.
4. Reverse steps to reinstall.

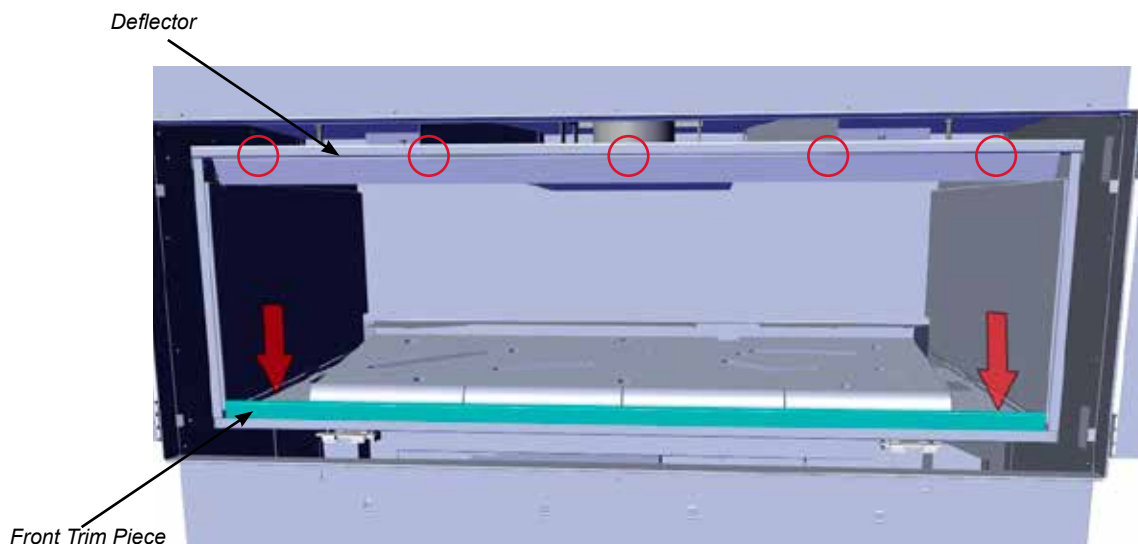
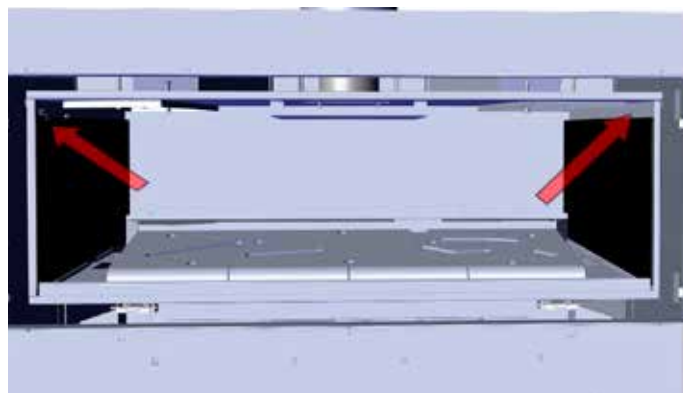


Diagram 1 - Front Trim Screw Locations

## INNER PANEL REMOVAL / INSTALLATION

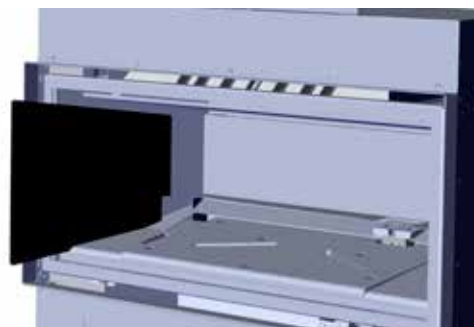
1. Remove front trim piece - see instructions above.
2. Remove two (2) screws in locations shown below to release panel clips.



Panel Clip Screw Locations



3. Remove panels by sliding out.

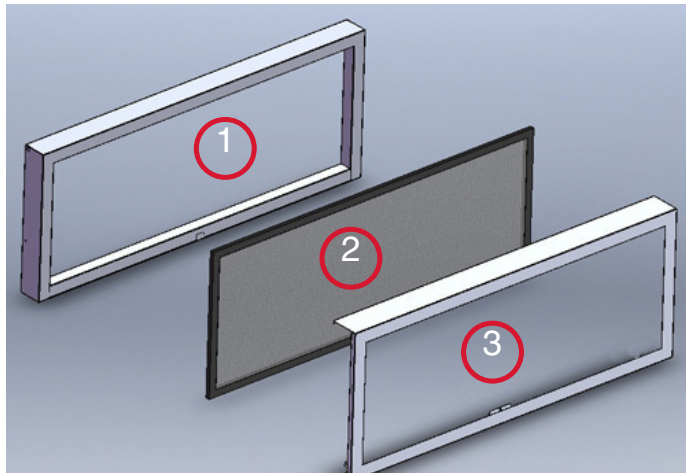


4. Reverse steps to reinstall.

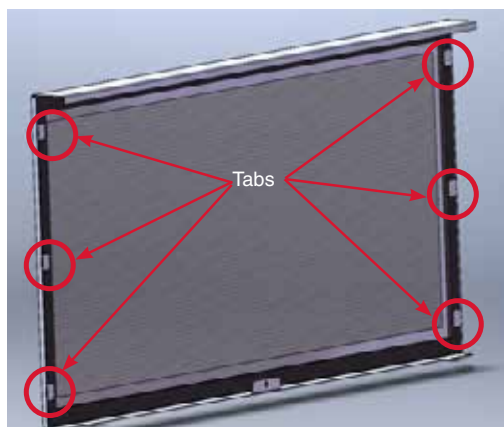


## SCREEN & INNER DOOR FRAME INSTALLATION

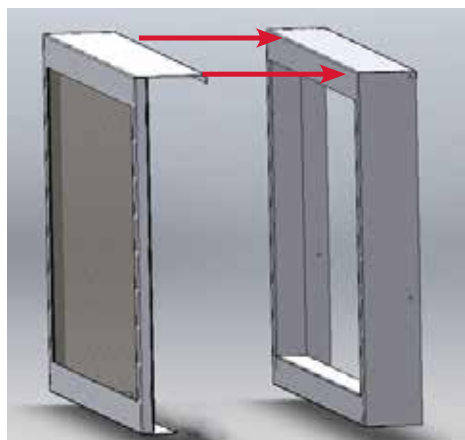
1. The inner door trim (1) and safety screen (2) come attached to the fireplace. Remove the inner door trim and safety screen by pulling the bottom of the trim towards you as one, then lift up.



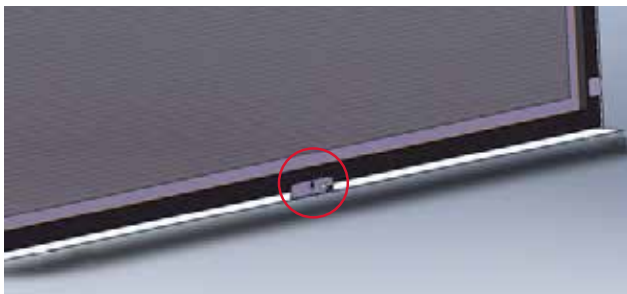
2. Install screen into inner door frame - secure safety screen by bending in 6 tabs in locations shown below.



3. Hook the inner door frame (3) and safety screen assembly (2) over the inner door trim.



4. Bend the center tab up and secure with a screw to attach the inner door frame/safety screen assembly to the inner door trim



5. Bend in magnetic tabs—located in lower corners of the frame (lower left shown below).



6. Attach completed assembly to the glass door on unit.

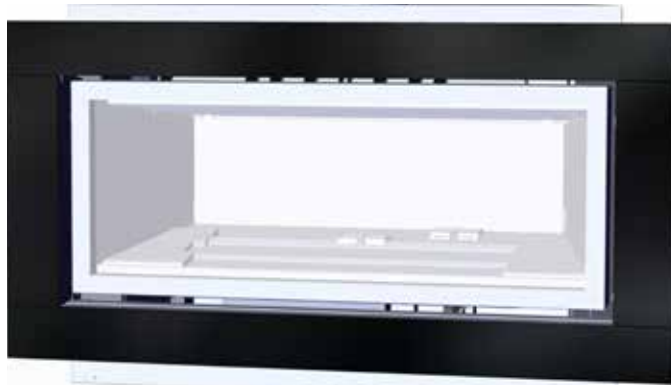
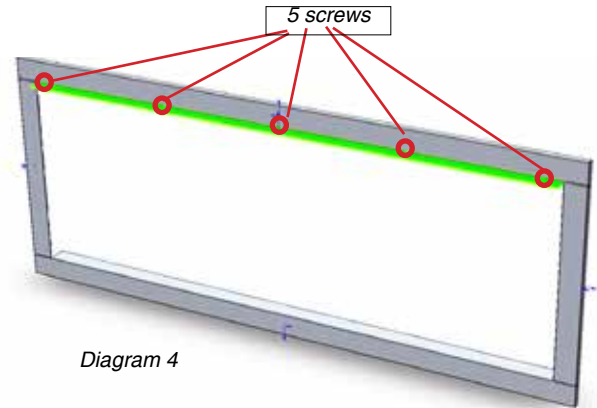
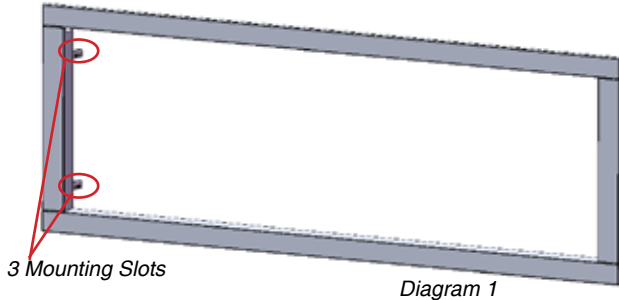
7. Secure the assembly with 1 screw on each side.

**Note:** Bottom of frame is secured to glass door frame with left and right magnets.

# installation

## FACEPLATE AND DEFLECTOR INSTALLATION

1. Install the fascia to the unit by hooking the left and right side mounting brackets into the mounting slots at the side of the firebox as shown below.

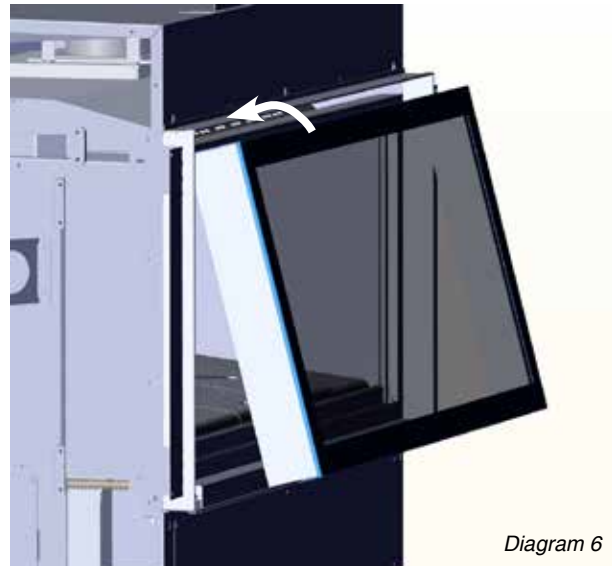


3. Hook the inner door frame to the unit. Refer to "Screen and Inner Door Frame Installation" in the manual prior to installing it on to the unit.

**NOTE:** There are 3 mounting slots available, this is to accommodate any finishing that protrudes slightly beyond the faceplate.

It is recommended that you use the first mounting slot (the one closest to the door frame overlay) out of the 3 so that the faceplate and door frame overlay are flush with one another. See Diagram 2.

2. Install deflector by using 5 screws provided to the **under-****side** of the fascia as shown in Diagram 3 and 4.

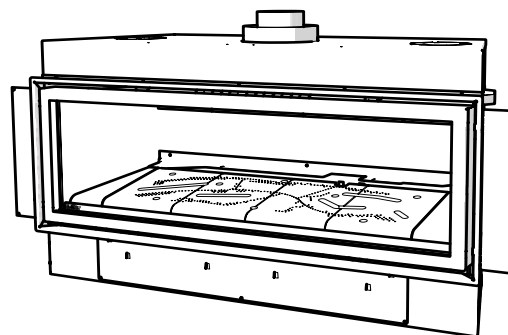
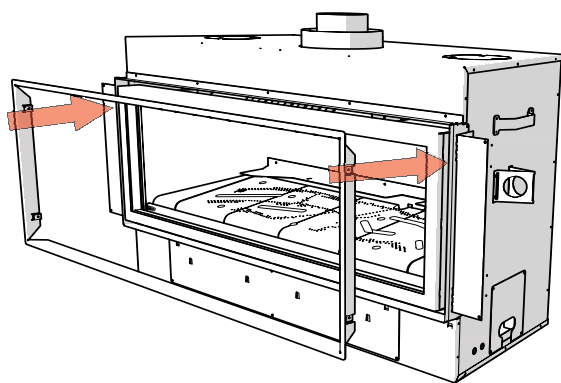


4. Remove any finger prints/ marks prior to operating the unit.

**WARNING:** Turn off the unit by way of the wall switch or remote. Allow unit to cool at least 10 min. - prior to removing the faceplate.

## OPTIONAL FINISHING TRIM INSTALLATION

1. Install the optional finishing trim by lining up trim with the outside of the fascia. Press trim inward firmly to seat onto the unit.



*Finishing Trim Installed*

2. Pull trim outward—away from the unit to remove.

# operating instructions

## FIRST FIRE

The first fire in your fireplace is part of the paint curing process. To ensure that the paint is properly cured, it is recommended that you burn your fireplace for at least four (4) hours the first time you use it with the fan on. When first operated, the unit will release an odour caused by the curing of the paint, the burning off of any oils remaining from manufacturing. Smoke detectors in the house may go off at this time. Open a few windows to ventilate the room for a couple of hours.

The glass panel may require cleaning after the unit has cooled down.

## DO NOT ATTEMPT TO CLEAN THE GLASS WHILE IT IS HOT.

**Note:** When the glass is cold and the appliance is lit, it may cause condensation and fog the glass. This condensation is normal and will disappear in a few minutes as the glass heats up.

During the first few fires, a white film may develop on the glass front as part of the curing process. The glass should be cleaned or the film will bake on and become very difficult to remove. Use a non-abrasive cleaner and NEVER clean the glass while it is hot.

**DO NOT BURN THE APPLIANCE WITHOUT THE GLASS FRONT IN PLACE.**

## OPERATING INSTRUCTIONS

1. Read and understand these instructions before operating this appliance.
2. Check to see that all wiring is correct and enclosed to prevent possible shock.
3. Check to ensure there are no gas leaks.
4. Make sure the glass in the door frame is properly positioned. Never operate the appliance with the glass removed.
5. Verify that the venting and cap are unobstructed.
6. Verify log placement. If the pilot cannot be seen when lighting the unit, the logs have been incorrectly positioned.
7. The unit should never be turned off, and on again without a minimum of a 60 second wait.
8. Remote control requires coding. See remote coding instructions for details.

**NOTE:** This appliance will operate with 4 AA back-up batteries installed (see Back-up Battery section for details) during power outages. The fan will not operate until power is restored. If the transmitter is misplaced the unit can be operated by sliding the switch on the battery holder to the OFF or ON position.

## CODING/PAIRING OF REMOTE CONTROL TRANSMITTER WITH ON/OFF SWITCH

1. Plug in 120 volt power. If power is not present proceed to step 1a.
- 1a. Install the 4 AA batteries into the wall mounted battery holder. Note the polarity of the battery and insert into the battery bay as indicated on the Battery cover (+/-).
2. Place the 3 position slider switch in the "Remote" position.
3. Using the end of a paper clip, or other similar object, insert the end of the paper clip into the hole marked "PRG" on the Receiver front cover. The Receiver will "beep" three (3) times to indicate that it is ready to synchronize with a Transmitter.
4. Install the 3AAA type batteries in the Transmitter battery bay, located on the base of the Transmitter. With the batteries already installed in the Transmitter, push the On button. The Receiver will "beep" four times to indicate the Transmitter's command is accepted and sets to the particular code of that Transmitter.
5. The system is now initialized.

## LIGHTING PROCEDURE

**IMPORTANT:** The remote control system supplied with this appliance has several options for starting/operating the appliance using the battery holder and ON/OFF key on the hand held transmitter.

Prior to operating this appliance, please read the remote control operating instructions (packaged with remote control) to understand how to operate this remote control system.

1. Ensure the battery holder switch is in the Remote position and / or wall mounted battery holder (if equipped) is in the <REMOTE> position.
2. Press and release the ON/OFF button on the remote handheld transmitter (see Diagram 1). An audible beep should be heard from the receiver. If not using the remote, the unit can also be turned on by sliding the battery holder switch to the <ON> position (if equipped).



Diagram 1  
Remote shown in Manual Mode on Hi

3. After approximately 4 seconds the spark ignition system will spark for 60 seconds to light the main burner.
4. The unit will turn on.



Note: Remote may not be exactly as shown.

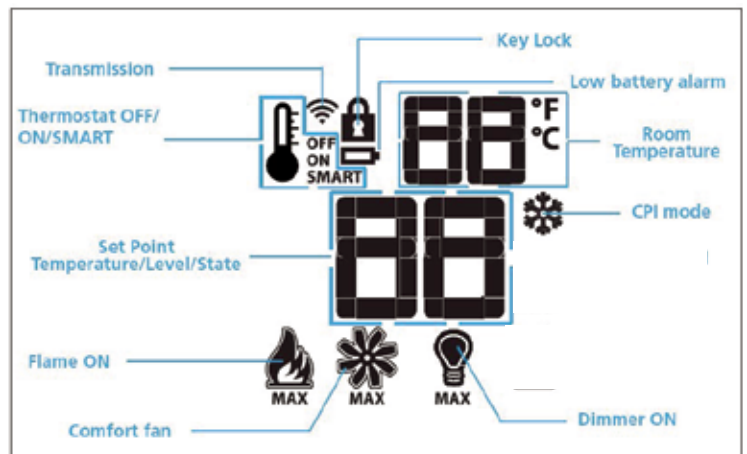
**Note:** The first try for ignition will last approximately 60 seconds. If there is no flame ignition (rectification) the board will stop sparking for approximately 35 seconds. After wait time, the board will start second try for ignition by sparking for approximately 60 seconds. If there is still no positive ignition the board will go into lock out.

The system will need to be reset as follows:

- a) Turn the system off by pressing the ON/OFF button on the remote.
- b) Wait 5 minutes then repeat from step 2.

## SHUTDOWN PROCEDURE

1. Press the ON/OFF button on the remote
2. If service is to be performed- you must disconnect power and shut off gas to the unit.



### Fan Operation:

The optional fan can be operated by using the remote control supplied with this unit. See remote control instructions.

### Note:

**In thermostat mode:** When the appliance is turned on, the fan will not come on for the first 5 minutes (if fan is turned on). When the appliance is turned off the fan will not turn off for 12 minutes (if in on position)

**Manual mode:** Fan will turn on and off immediately using the remote control transmitter if the fan function is in the "on" position.

### Continuous Pilot/Intermittent Pilot (CPI/IPI) selection

See remote control instructions for details.

# operating instructions

## COPY OF THE LIGHTING PLATE INSTRUCTIONS

### FOR YOUR SAFETY READ BEFORE LIGHTING

This appliance must be installed in accordance with local codes, if any; if none, follow the National Fuel Gas Code, ANSI Z223.1/NFPA 54, or Natural Gas and Propane Installation Codes, CSA B149.1.

**WARNING:** If you do not follow these instructions exactly, a fire or explosion may result causing property damage, personal injury or loss of life. Improper installation, adjustment, alteration, service or maintenance can cause injury or property damage. Refer to the owner's information manual provided with this appliance. For assistance or additional information consult a qualified installer, service agency or gas supplier.

**AVERTISSEMENT:** Quiconque ne respecte pas scrupuleusement les instructions de la présente notice risque de déclencher un incendie ou une explosion pouvant entraîner des dégâts matériels ou des blessures pouvant être mortelles.

Tout défaut d'installation, d'ajustement, de modification, de service ou d'entretien peut entraîner des blessures ou des dommages matériels. Reportez-vous au manuel d'utilisation fournie avec cet équipement. Pour obtenir de l'aide ou des informations complémentaires, consulter un installateur qualifié, une agence d'entretien ou votre fournisseur de gaz.

A) This appliance is equipped with an ignition device which automatically lights the pilot. Do not try to light the pilot by hand.

B) **BEFORE OPERATING** smell all around the appliance area for gas. Be sure to smell next to the floor because some gas is heavier than air and will settle on the floor.

#### WHAT TO DO IF YOU SMELL GAS

- Do not try to light any appliance.
- Do not touch any electric switch, do not use any phone in your building.
- Immediately call your gas supplier from a neighbour's phone. Follow the gas supplier's instructions.
- If you cannot reach your gas supplier, call the fire department.

C) Do not use this appliance if any part has been under water. Immediately call a qualified service technician to inspect the appliance and replace any part of the control system and any gas control which has been underwater.

A) Cet appareil est muni d'un dispositif d'allumage qui allume automatiquement la veilleuse. Ne tentez pas d'allumer la veilleuse manuellement.

B) **AVANT LA MISE EN MARCHÉ**, reniflez tout autour de l'appareil pour déceler une odeur de gaz. Reniflez au niveau du plancher, car certains gaz sont plus lourds que l'air et peuvent s'accumuler au niveau du sol.

#### QUE FAIRE SI VOUS SENTEZ UNE ODEUR DE GAZ :

- Ne tentez pas d'allumer l'appareil.
- Ne touchez à aucun interrupteur; n'utilisez pas de téléphones se trouvant dans le bâtiment.
- Appelez immédiatement votre fournisseur de gaz depuis un téléphone extérieur. Suivez les instructions du fournisseur.
- Si vous ne pouvez rejoindre le fournisseur, appelez le service incendies.

C) N'utilisez pas cet appareil s'il a été plongé dans l'eau, même partiellement. Faites inspecter l'appareil par un technicien qualifié et remplacez tout élément du système de contrôle ou de commande qui a été plongé dans l'eau.

**CAUTION:** Hot while in operation. Do not touch. Severe Burns may result. Due to high surface temperatures keep children, clothing and furniture, gasoline and other liquids having flammable vapors away. Keep burner and control compartment clean. See installation and operating instructions accompanying appliance.

### LIGHTING INSTRUCTIONS

1) Ensure the Main switch is in the ON position and/or the wall mounted battery holder (if equipped) is in the <REMOTE> position.

2) Press and release the ON/OFF button on the remote handheld transmitter. An audible beep should be heard from the receiver. If not using the remote, the unit can also be turned on by sliding the battery holder switch to the <ON> position (if equipped).

3) After approximately 4 seconds the spark ignition system will spark for 60 seconds to light the main burner.

4) The unit will turn on.

Note: The first attempt to ignition will last approximately 60 seconds. If there is no flame ignition (rectification) the board will stop sparking for approximately 35 seconds. After this wait time, the board will start a second try for ignition by sparking for approximately 60 seconds. If there is still no positive ignition after the second attempt the board will go into lock out.

The system will need to be reset as follows (after going into lock out mode):

- Wait 5 minutes - turn the system off by pressing the ON/OFF button on the remote.
- After approximately 2 seconds press the ON/OFF button again.
- Unit will repeat step 2.

1) S'assurer que le commutateur principal est en position ON et/ou que le bloc-piles mural (le cas échéant) est en position <REMOTE>.

2) Appuyer sur la touche ON/OFF de la télécommande et relâcher. Un bip sonore retentira depuis le récepteur. Si vous n'utilisez pas la télécommande, l'appareil peut également être allumé en faisant glisser le commutateur du bloc-piles à la position <ON> (le cas échéant).

3) Après environ 4 secondes, le système d'allumage produira une étincelle pendant 60 secondes pour allumer le brûleur principal.

4) L'appareil s'allumera.

Remarque : Au premier allumage, le système tente d'allumer les flammes pendant 60 secondes. Si l'essai est infructueux, le système fera une pause de 35 secondes. C'est ce qu'on appelle l'étape de rectification. Ce délai écoulé, le système tente à nouveau d'allumer les flammes en produisant des étincelles pendant 60 secondes. Si les flammes ne s'allument toujours pas, le système se met en mode verrouillage.

Il faut alors le réinitialiser en suivant les étapes ci-dessous (pour le déverrouiller) :

- Attendre 5 minutes et éteindre l'appareil en appuyant sur la touche ON/OFF de la télécommande.
- Attendre 2 secondes et appuyer encore une fois sur la touche ON/OFF.
- L'unité répétera l'étape 2.

### TO TURN OFF GAS APPLIANCE

1) Press the ON/OFF button on the remote.

2) If service is to be performed—you must disconnect power and shut off gas to the unit.

1) Appuyer sur la touche ON/OFF de la télécommande.

2) En cas d'entretien, vous devez débrancher l'alimentation et couper le gaz alimentant l'unité.

**DO NOT REMOVE THIS INSTRUCTION PLATE**

919-634

## NORMAL OPERATING SOUNDS OF GAS APPLIANCES

It is possible that you will hear some sounds from your gas appliance. This is perfectly normal due to the fact that there are various gauges and types of steel used within your appliance. Listed below are some examples. All are **normal operating sounds** and should not be considered as defects in your appliance.

### Blower:

Regency® gas appliances use high tech blowers to push heated air farther into the room. It is not unusual for the fan to make a "whirring" sound when ON. This sound will increase or decrease in volume depending on the speed setting of your fan speed control.

### Burner Tray:

The burner tray is positioned directly under the burner tube(s) and logs and is made of a different gauge material from the rest of the firebox and body. Therefore, the varying thicknesses of steel will expand and contract at slightly different rates which can cause "ticking" and "cracking" sounds. You should also be aware that as there are temperature changes within the unit these sounds will likely re-occur. Again, this is normal for steel fireboxes.

### Pilot Flame:

While the pilot flame is on it can make a very slight "whisper" sound.

### Gas Control Valve:

As the gas control valve turns ON and OFF, a dull clicking sound may be audible, this is normal operation of a gas regulator or valve.

### Unit Body/Firebox:

Different types and thicknesses of steel will expand and contract at different rates resulting in some "cracking" and "ticking" sounds will be heard throughout the cycling process.

- Clean glass (never when unit is hot), appliance, and door with a damp cloth. Never use an abrasive cleaner.
- The heater is finished in a porcelain finish or with a heat resistant paint and should only be refinished with heat resistant paint (not with wall paint).

Never use an abrasive cleaner on the porcelain finish as it may scratch the surface.

- Make a periodic check of burner for proper position and condition. Visually check the flame of the burner periodically, making sure the flames are steady; not lifting or floating. If there is a problem, call a qualified service person.

- Caution: Label all wires prior to disconnection when servicing controls. Wiring errors can cause improper and dangerous operation.**

- The appliance and venting system must be inspected before use, and at least annually, by a qualified field service person, to ensure that the flow of combustion and ventilation air is not obstructed.

During the annual service call, the burner should be removed from the burner tray and cleaned. Replace the embers but do not block the pilot.

- Keep the area near the appliance clear and free from combustible materials, gasoline, and other flammable vapours and liquids.

**CAUTION: ANY SAFETY SCREEN OR GUARD REMOVED FOR SERVICING AN APPLIANCE MUST BE REPLACED PRIOR TO OPERATING THE APPLIANCE.**

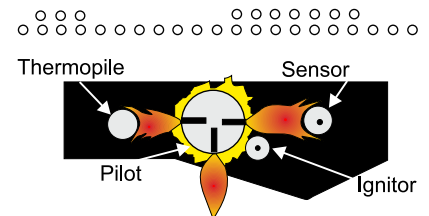
**CLOTHING OR OTHER FLAMMABLE MATERIAL SHOULD NOT BE PLACED ON OR NEAR THE APPLIANCE.**

- Each time the appliance is lit, it may cause condensation and fog the glass. This condensation and fog is normal and will disappear in a few minutes as the glass heats up.

**Never operate the appliance without the glass properly secured in place.**

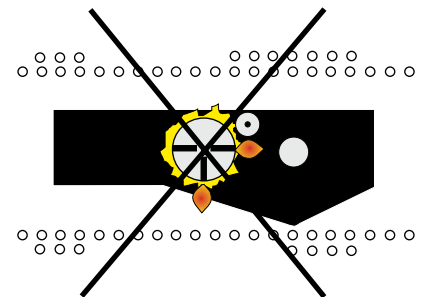
- Periodically check the pilot flames. Correct flame pattern has three strong blue flames: 1 flowing around the thermopile and 1 around the thermocouple, and 1 flowing across the rear of the burner (it does not have to be touching the burner).

**Note: If you have an incorrect flame pattern, contact your Regency® dealer for further instructions.**



Top View of pilot flame

Incorrect flame pattern will have small, probably yellow flames, not coming into proper contact with the rear of the burner.



Top View of pilot flame

**WARNING: CHILDREN AND ADULTS SHOULD BE ALERTED TO THE HAZARDS OF HIGH SURFACE TEMPERATURE AND SHOULD STAY AWAY TO AVOID BURNS OR CLOTHING IGNITION. YOUNG CHILDREN SHOULD BE CAREFULLY SUPERVISED WHEN THEY ARE IN THE SAME ROOM AS THE APPLIANCE.**

**DO NOT USE THIS APPLIANCE IF ANY PART HAS BEEN UNDER WATER. IMMEDIATELY CALL A QUALIFIED SERVICE TECHNICIAN TO INSPECT THE APPLIANCE AND TO REPLACE ANY PART OF CONTROL SYSTEM AND ANY GAS CONTROL WHICH HAS BEEN UNDER WATER.**

## MAINTENANCE INSTRUCTIONS

- Always turn off the valve before cleaning. For relighting, refer to lighting instructions. Keep the burner and control compartment clean by brushing and vacuuming at least once a year. When cleaning the logs, use a soft clean paint brush as the logs are fragile and easily damaged.

- Verify operation after servicing.

# maintenance

## GLASS GASKET

If the glass gasket requires replacement use a tadpole glass gasket (Part # 936-157).

---

## GLASS DOOR

Your Regency® fireplace is supplied with high temperature 5mm-Ceramic glass. If your glass requires cleaning, we recommend using an approved glass cleaner available at all authorized dealers. Do not use abrasive materials.

### CAUTION & WARNINGS:

- \* Do not clean when the glass is hot.
- \* The use of substitute glass will void all product warranties.
- \* Care must be taken to avoid breakage of the glass.
- \* Do not strike or abuse the glass.
- \* Do not operate this fireplace without the glass front or with a cracked or broken glass front.
- \* Wear gloves when removing damaged or broken glass.
- \* Replacement of the glass panel(s) should be done by a licensed or qualified service person.

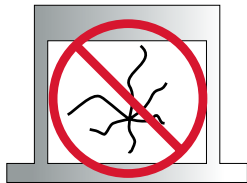
## GLASS REPLACEMENT

In the event that you break your glass by impact, purchase your replacement from an authorized Regency® dealer only.

Replacement neo-ceramic glass  
(Part # 940-431/P)

**CAUTION: Wear gloves when removing damaged or broken glass.**

**WARNING: Do not operate the appliance with the glass panels removed, cracked or broken. Replacement of the glass panels should be done by a licensed or qualified service person.**



## GENERAL VENT MAINTENANCE

Conduct an inspection of the venting system semi-annually. Recommended areas to inspect as follows:

1. Check the Venting System for corrosion in areas that are exposed to the elements. These will appear as rust spots or streaks, and in extreme cases, holes. These components should be replaced immediately.
2. Remove the Cap, and shine a flashlight down the Vent. Remove any bird nests, or other foreign material.
3. Check for evidences of excessive condensation, such as water droplets forming in the inner liner, and subsequently dripping out the joints. Continuous condensation can cause corrosion of caps, pipe, and fittings. It may be caused by having excessive lateral runs, too many elbows, and exterior portions of the system being exposed to cold weather.
4. Inspect joints, to verify that no pipe sections or fittings have been disturbed, and consequently loosened. Also check mechanical supports such as Wall Straps, or plumbers' tape for rigidity.
5. Remove the inner panels - reverse of "Inner panel Installation" in this manual.
6. Remove the burner tray cover by lifting up and out as shown below.



## FAN SERVICE

**PRIOR TO SERVICING THE FAN, ENSURE THAT UNIT HAS COOLED TO ROOM TEMPERATURE, ALL POWER IS DISCONNECTED AND GAS SUPPLY IS TURNED OFF.**

1. Remove faceplate, inner frame, glass door, front trim piece and front deflector - see instructions in this manual.
2. Remove logs.
3. Remove burner side panels by lifting out as shown in Diagram 1. Remove front lip by removing 2 screws located on firebox floor. Remove enamel side panels by loosening the 2 screws (1 per side). Remove 2 screws on each side to remove ceramic mounting brackets.

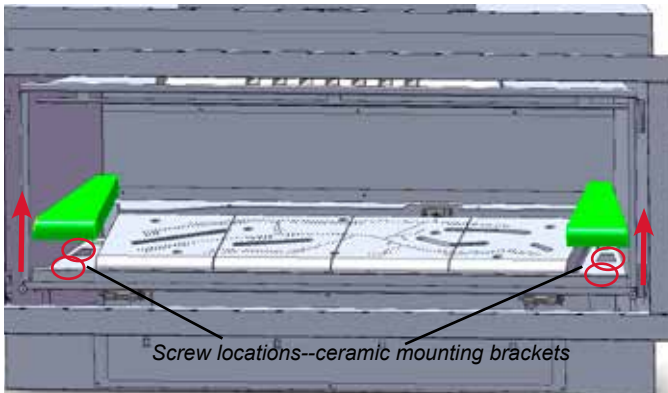


Diagram 1

4. Remove burner by removing 3 screws in locations shown below.

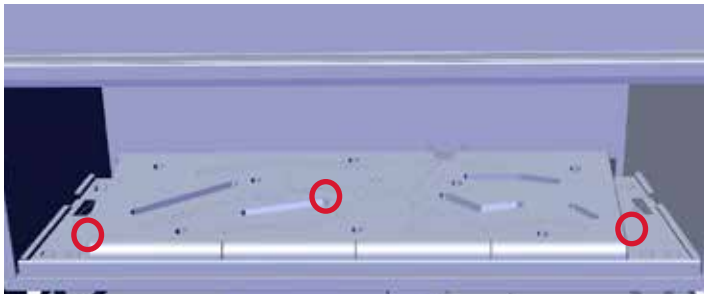


Diagram 2 - Burner Screw Locations

5. Remove rear log tray by removing 3 screws as shown in Diagram 3 below.

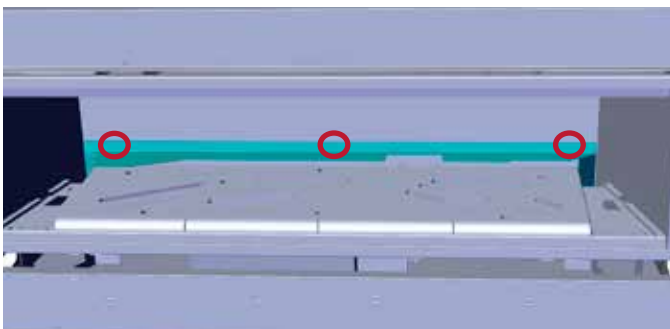


Diagram 3 - Log Tray screws

6. Remove access panel by removing eight (8) screws in locations shown in Diagram 4.

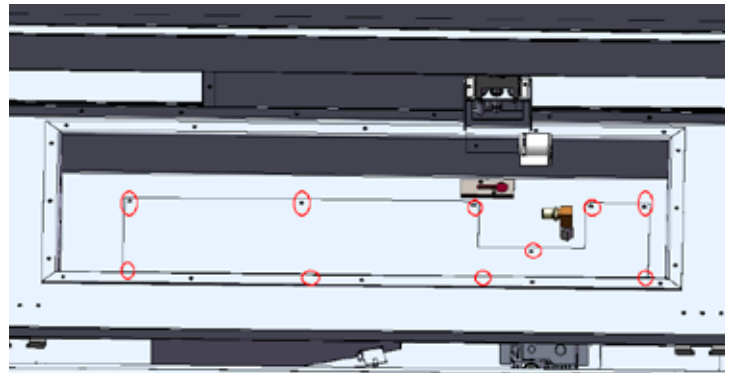


Diagram 4 - Heat Deflector Screws

7. Loosen three (3) screws to remove heat deflector shown in Diagram 5.

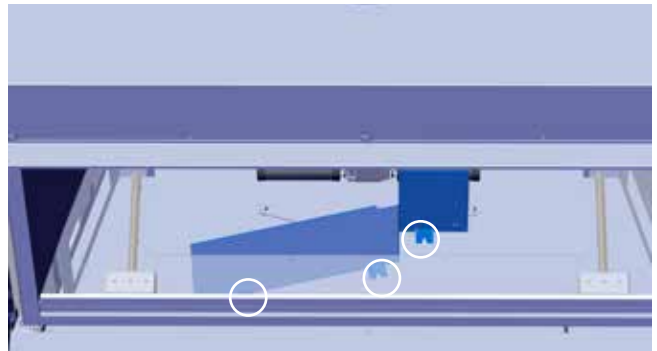


Diagram 5 - Heat Deflector Screws

8. Remove two (2) screws to remove fan shown in Diagram 6.

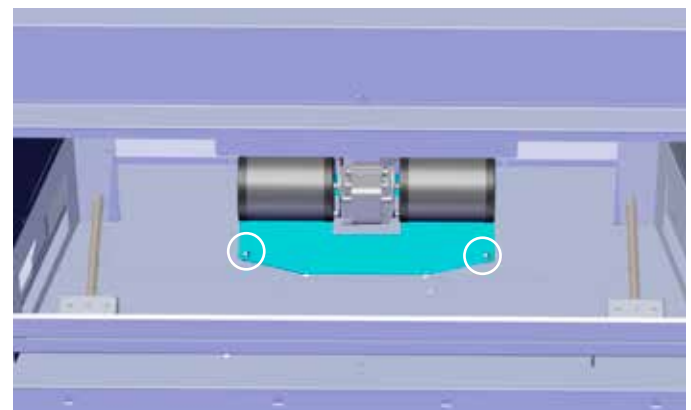


Diagram 6 - Fan Screws

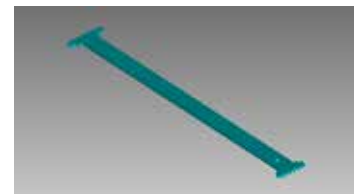
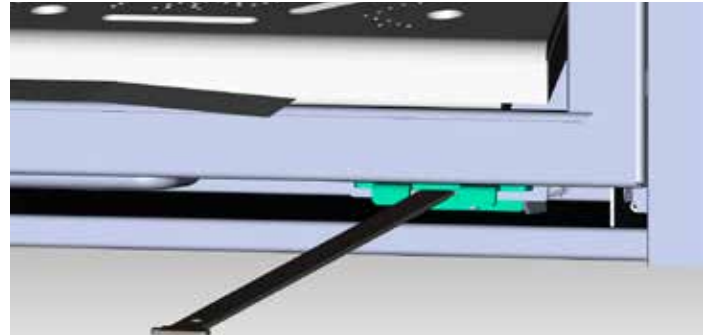
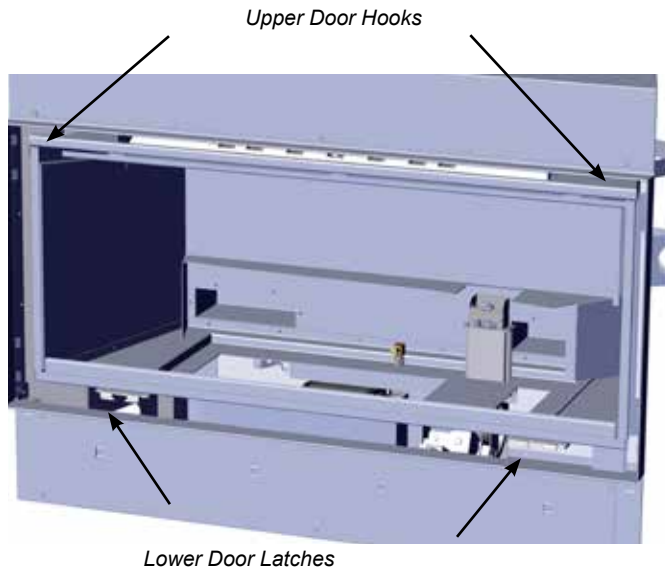
9. Reverse steps to reinstall fan.

# maintenance

## GLASS DOOR REMOVAL

**WARNING: Do not operate the appliance with the glass panels removed, cracked or broken. Replacement of the glass panels should be done by a licensed or qualified service person. Glass should be cool if cleaning is necessary.**

1. Insert the door tool into the lower door latch.



*Door Tool*

2. Pull forward until the lower door latch is disengaged from the door frame.
3. Push downward until the Lower Door Latch is below the Door Frame.
4. Release the lower door latch until it reaches its resting point.
5. Remove the door tool and repeat steps 1-5 on the other lower door latch.
6. Pull the bottom of the door towards you until the door is angled away from the firebox by about 30°. Lift the door up and over the upper door hooks.
7. To install the glass door - reverse steps.

## VALVE TRAY REPLACEMENT

**PRIOR TO VALVE TRAY REPLACEMENT, ENSURE UNIT HAS COOLED TO ROOM TEMPERATURE, ALL POWER IS DISCONNECTED AND GAS SUPPLY IT TURNED OFF.**

1. Remove faceplate, inner frame, glass door, front trim piece and inner panels - see instructions in this manual.
2. Remove logs.
3. Remove ceramic mounting bracket by removing 2 screws on each side and remove burner side panels by lifting out as shown in Diagram 1.

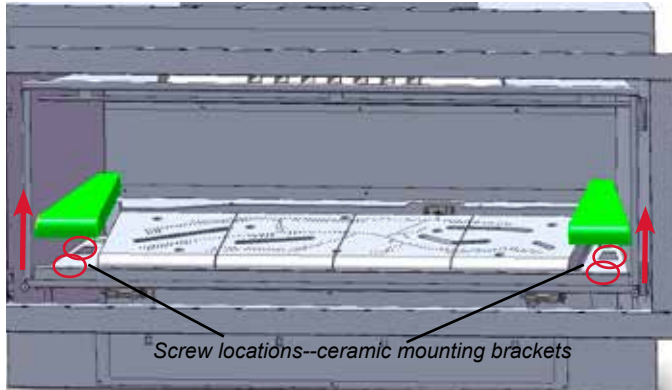


Diagram 1

4. Remove burner by removing 3 screws in locations shown below.

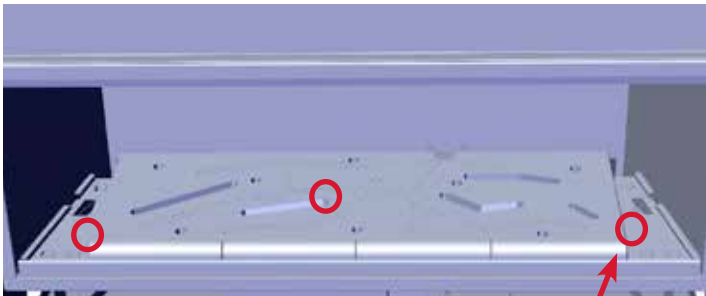
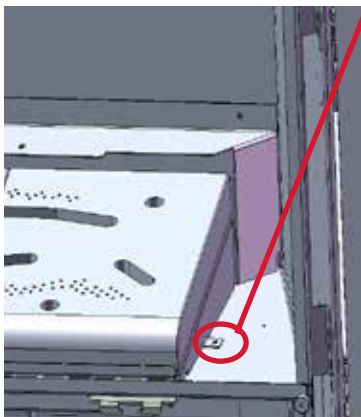


Diagram 2 - Burner Screw Locations



5. Remove rear log tray by removing 3 screws as shown in Diagram 3 below.

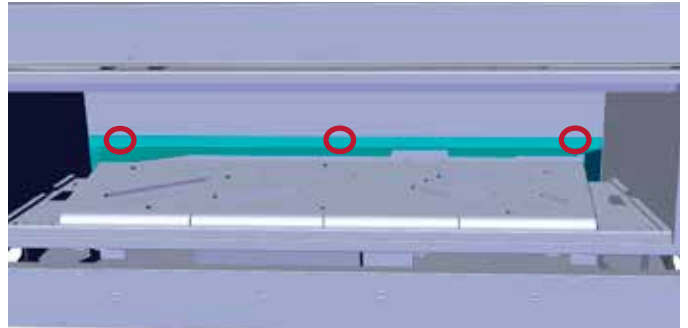


Diagram 3 - Log Tray screws

6. Remove burner by removing 16 screws in locations shown below.

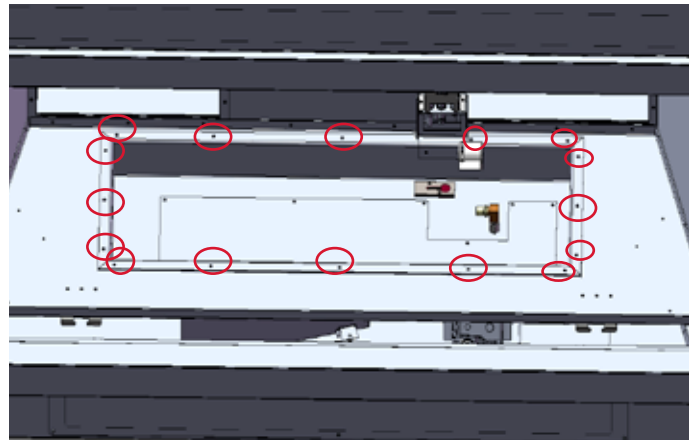


Diagram 4 - Valve Tray Screw Locations

7. Lift out valve tray.

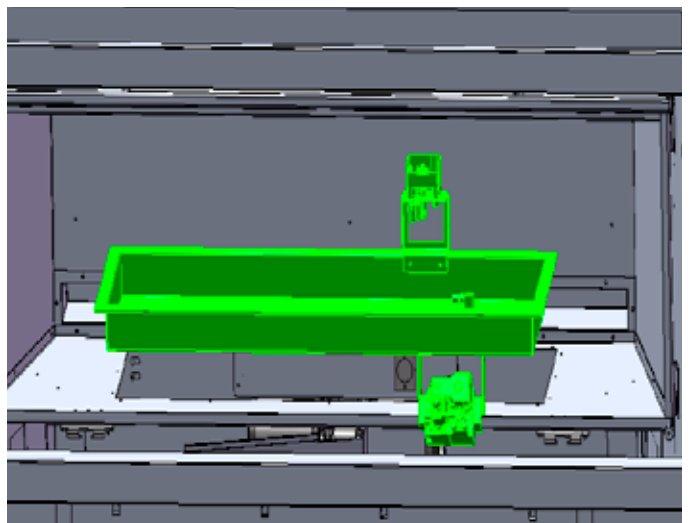


Diagram 5 - Valve Tray Removal

8. Replace valve tray and reverse steps.

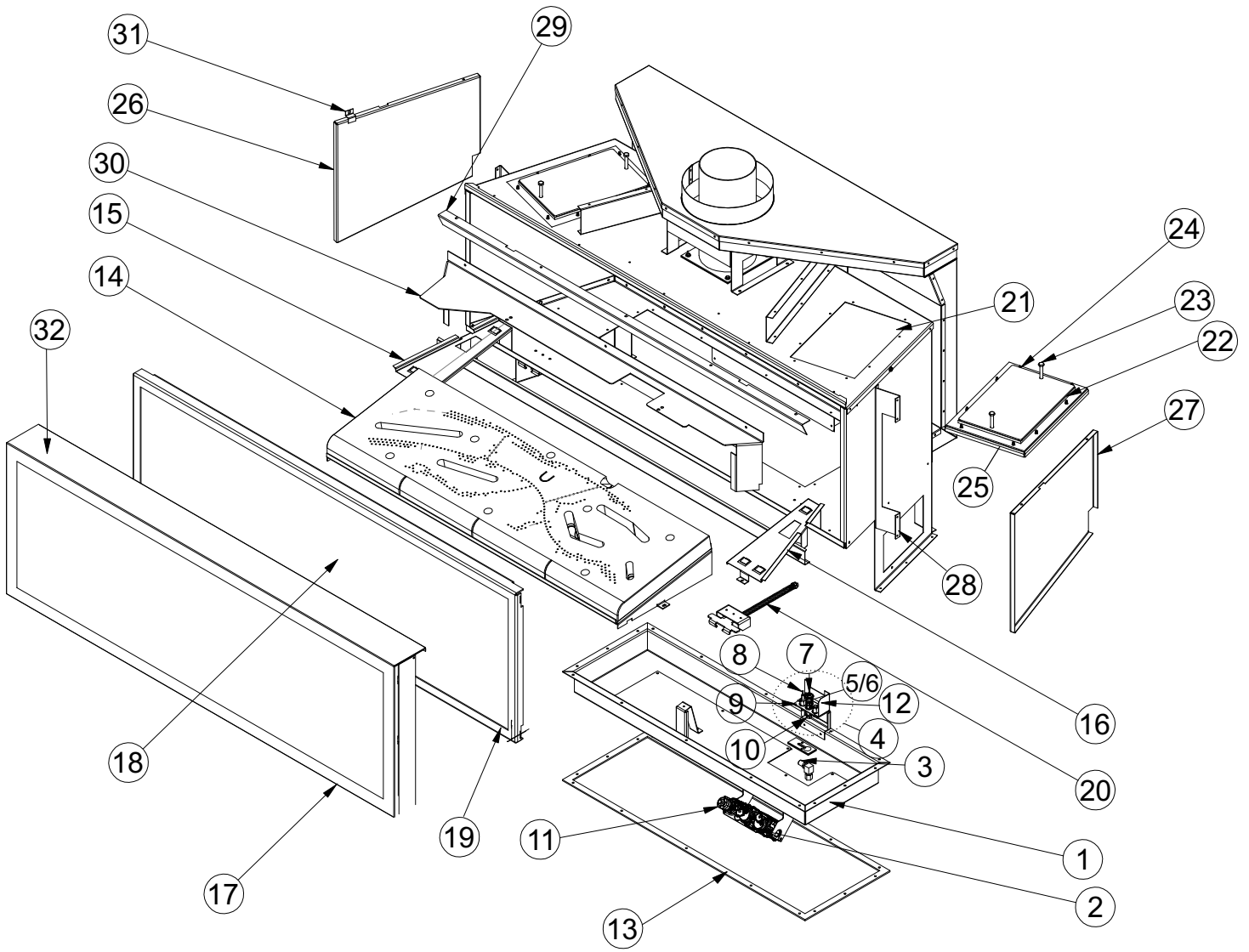
# parts list

## MAIN ASSEMBLY

|                 |           |   |
|-----------------|-----------|---|
| 1               | 676-574/P | Valve Assembly - NG                     |
| 1               | 676-576/P | Valve Assembly - LP                     |
| 2               | 911-084   | Novasit Valve NG 885 SIT IPI 0.885.001  |
| 2               | 911-085   | Novasit Valve LP 885 SIT IPI 0.885.002  |
| 3               | 904-660   | Burner Orifice #30 NG                   |
| 3               | 904-622   | Burner Orifice #48 LP                   |
| 4               | 911-006   | Pilot Assembly IPI NG 2 Flame 0.199.050 |
| 4               | 911-007   | Pilot Assembly IPI LP 2 Flame           |
| 5               | 910-100   | Pilot Orifice NG #51 0.977.166          |
| 6               | 910-101   | Pilot Orifice LP #35 0.977.168          |
| 7               | 911-039   | Two Way Pilot Hood 0.975.005            |
| 8               | 911-037   | Flame Sense 0.915.905                   |
| 9               | 911-038   | Flame Electrode 0.915.020               |
| 10              | 910-432   | Pilot Tube with Nuts                    |
| 11              | 911-010   | Stepper Motor NG 0.907.013              |
| 11              | 911-011   | Stepper Motor LP 0.907.012              |
| 12              | 606-054   | Pilot Hood                              |
| 13              | 606-028   | Valve Mounting Gasket                   |
| 14              | 676-530   | Ceramic Burner Assembly NG/LP           |
| 15              | 606-008   | Left Ceramic Mounting Bracket           |
| 16              | 606-009   | Right Ceramic Mounting Bracket          |
| 17              | 606-514   | Door Frame Assembly - Complete          |
| 18              | 940-431/P | Replacement Glass ( Includes Gasket)    |
| 19              | 606-017   | Flush Door Frame Only (No Glass)        |
| 20              | 396-527   | Door Latch Assembly                     |
| 21              | 676-012F  | Top Relief Door (Each)                  |
| 22              | 676-032   | Top Relief Door Gasket (Each)           |
| 23              | 904-841   | Top Relief Door Bolts (Each)            |
| 24              | 676-011   | Top Relief Door Frame (Each)            |
| 25              | 676-031   | Top Relief Door Gasket (Each)           |
| 26              | 676-023   | Enamel Black Panel Left                 |
| 27              | 676-024   | Enamel Black Panel Right                |
| 28              | 466-041F  | Nailing Strip Sides (Each)              |
| 29              | 696-045   | Deflector Front                         |
| 30              | 676-030   | Rear Log Tray                           |
| 31              | 676-025   | Enamel Panel Clips (Each)               |
| 32              | 676-922   | Inner Door Frame Black U1500E           |
| 32              | 676-926   | Inner Door Frame Gloss Black U1500E     |
|                 |           |   |
| N/S = Not Shown |           |   |
| N/S             | 932-009   | Tubing SS Flexible 3/8 x 9 inch         |
| N/S             | 904-599   | Fitting Elbow 90 Degree                 |
| N/S             | 904-911   | Fitting Connector 1/2 MIP x 1/2 Flare   |
| N/S             | 904-600   | Fitting Elbow 90 Degree Forged          |
| N/S             | 904-650   | Fitting 1/8 Brass Pipe Adaptor          |

|     |           |   |
|-----|-----------|---|
| N/S | 904-658   | Inlet Flex Line Gas SS Steel 24 inch                              |
| N/S | 936-170   | Gasket Burner Orifice   |
| N/S | W840470   | Gasket Pilot Assembly   |
| N/S | 606-029F  | Valve/Fan Access Plate  |
| N/S | 606-030   | Valve/Fan Access Plate Gasket                                     |
| N/S | 466-025F  | Front Access Panel  |
| N/S | 606-063   | Left Ceramic Filler (Burner)                                      |
| N/S | 606-064   | Right Ceramic Filler (Burner)                                     |
| N/S | 911-173   | Wire Harness IFC No CPI Switch 584.924                            |
| N/S | 911-174   | IFC Control Board Complete 584.306                                |
| N/S | 911-177   | Wire 4 Position IFC Fan & Light                                   |
| N/S | 911-181   | Wire Harness Battery Box Proflame II                              |
| N/S | 911-192   | Power Cord 120 Volts With Connector                               |
| N/S | 911-193   | Connector With Jumper   |
| N/S | 911-175   | Hand Held Remote Control GTMFL SIT 0.584.042                      |
| N/S | 911-187   | Battery Holder With Switch 584.103                                |
| N/S | 910-369   | Receptacle Box Low Voltage  |
| N/S | 910-576   | Cover Wall Mount White GTM SIT 0.584.803                          |
| N/S | 910-428   | Receptacle Duplex White   |
| N/S | 910-429   | Receptacle Box Duplex Metal                                       |
| N/S | 904-687   | Connector Clamp 3/8 CI-804  |
| N/S | 936-157   | Glass Gasket Tadpole Tape 1 1/2 (Sold Per Foot) (9 Feet required) |
| N/S | 904-691   | Glass Clip-U (Each)   |
| N/S | 396-042F  | Door Tool   |
| N/S | 606-930   | Log Set - Complete  |
| N/S | 636-517/P | Fan Assembly Complete   |
| N/S | 910-157/P | Fan Motor Only (Includes Squirrel Cage)                           |
| N/S | 908-529   | Label Natural Gas Yellow  |
| N/S | 908-528   | Label Propane Red   |
| N/S | 466-025F  | Access Panel  |
| N/S | 676-001   | Top Nailing Strip   |
| N/S | 316-089F  | Bottom Nailing Strip  |
| N/S | 676-021   | Top Inner Baffle  |
| N/S | 676-033F  | Vent Restrictor   |
| N/S | 636-022   | Heat Shield Control Box   |
| N/S | 636-550   | Horizontal Vent Deflector Complete                                |
| N/S | 919-792   | Instruction Manual  |
| N/S | 676-507   | Manual Package Complete   |
|     |           |   |

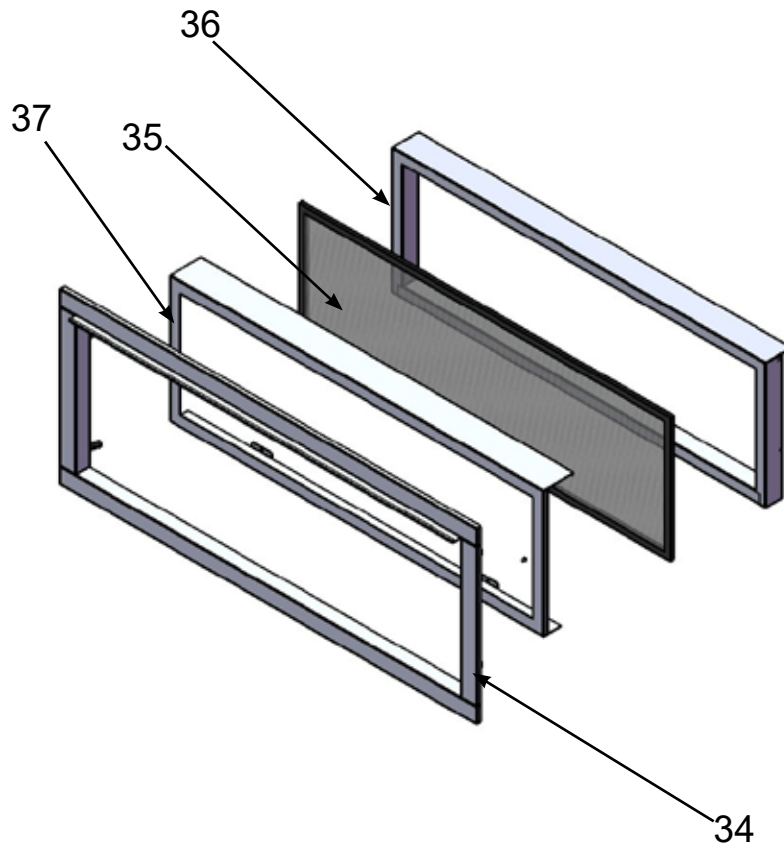
MAIN ASSEMBLY



# parts list

## ACCESSORIES

|     |         |  |
|-----|---------|--|
| 34  | 676-938 | Faceplate & Dr Frm Black U1500E          |
| 34  | 676-951 | Faceplate & Dr Frm Black Glass U1500E    |
| 35  | 606-022 | Mesh Glass Guard                         |
| 36  | 676-514 | Black Inner Door Trim Assembly           |
| 37  | 676-922 | Inner Door Frame - Black                 |
| 37  | 676-926 | Inner Door Frame - Gloss Black           |
| N/S | 904-790 | Round Magnet 1/2 inch x 1/8 inch (Each)  |
| N/S | 904-970 | Cup Magnet 1/2 inch x 5/8 inch OD (Each) |
| N/S | 676-900 | Steel Stud Framing Pkgd U1500E           |
| N/S | 676-969 | Conversion - LP U1500E                   |
| N/S | 676-936 | Non combustibile board                   |





# warranty

## Limited Lifetime Warranty

FPI Fireplace Products International Ltd. (for Canadian customers) and Fireplace Products U.S., Inc. (for U.S. customers) (collectively referred to herein as “FPI”) extends this Limited Lifetime Warranty to the original purchaser of this appliance provided the product remains in the original place of installation. The items covered by this limited warranty and the period of such coverage is set forth in the table below.

Some conditions apply (see below).

The policy is not transferable, amendable or negotiable under any circumstances.

| Indoor Gas Products<br>Warranty Coverage<br>Parts and Labor  | Part     |         |         |        | Supplier | Labor<br>Coverage |
|--|----------|---------|---------|--------|----------|-------------------|
|  | Lifetime | 5 years | 2 years | 1 year | Warranty | (Years)           |
| Firebox and Heat Exchanger   | ✓        |         |         |        |          | 3                 |
| Steel Burner Tube  | ✓        |         |         |        |          | 3                 |
| Glass Thermal breakage only  | ✓        |         |         |        |          | 3                 |
| All Surrounds/Inlays Finishes  |          | ✓       |         |        |          | 3                 |
| Brick Panels/Log sets/Ceramic Burners  |          | ✓       |         |        |          | 3                 |
| All Castings   |          | ✓       |         |        |          | 3                 |
| Valve assembly and all gas control components, (Pilot assembly, flame sensors, Spark Electrode, Pilot Tubing, Orifices, Thermocouple, Thermopile)  |          |         | ✓       |        |          | 2                 |
| All Other Electrical components, (Ignition Control Boards, Wiring, Switches, Blowers, Blower Control Module, Battery Pack, Remote Control Systems) |          |         | ✓       |        |          | 2                 |
| Enamel Panels  |          |         | ✓       |        |          | 1                 |
| Venting/Venting Components   |          |         | ✓       |        |          | 1                 |
| All Stainless steel surrounds  |          |         |         | ✓      |          | 1                 |
| All Firebox Media (Crystals, Firebeads, Volcanic, Ceramic & Spa Stones)  |          |         |         | ✓      |          | 1                 |
| All hardware   |          |         |         | ✓      |          | 1                 |
| Mesh/Glass Safety Barriers   |          |         |         | ✓      |          | 1                 |
| Accent Light Bulbs   |          |         |         | ✓      |          | 1                 |
| Glass (Crazing)  |          |         |         | ✓      |          | 1                 |

### Conditions:

Warranty protects against defect in manufacture or FPI factory assembled components only, unless herein specified otherwise.

Any part(s) found to be defective during the warranty period as outlined above will be repaired or replaced at FPI’s option through an accredited distributor, dealer or pre-approved and assigned agent provided that the defective part is returned to the distributor, dealer or agent for inspection if requested by FPI. Alternatively, FPI may at its own discretion fully discharge all of its obligations under the warranty by refunding the verified purchase price of the product to the original purchaser. The purchase price must be confirmed by the original Bill of Sale.

**The authorized selling dealer, or an alternative authorized FPI dealer if pre-approved by FPI, is responsible for all in-field diagnosis and service work related to all warranty claims. FPI is not responsible for results or costs of workmanship of unauthorized FPI dealers or agents in the negligence of their service work.**



At all times FPI reserves the right to inspect reported complaints on location in the field claimed to be defective prior to processing or authorizing of any claim. Failure to allow this upon request will void the warranty.

All warranty claims must be submitted by the dealer servicing the claim, including a copy of the Bill of Sale (proof of purchase by you). All claims must be complete and provide full details as requested by FPI to receive consideration for evaluation. Incomplete claims may be rejected.

Unit must be installed according to all manufacturers' instructions as per the manual.

All Local and National required codes must be met.

The installer is responsible to ensure the unit is operating as designed at the time of installation.

The original purchaser is responsible for annual maintenance of the unit, as outlined in the owner's manual. As outlined below, the warranty may be voided due to problems caused by lack of maintenance.

Repair/replacement parts purchased by the consumer from FPI after the original coverage has expired on the unit will carry a 90 day warranty, valid with a receipt only. Any item shown to be defective will be repaired or replaced at our discretion. No labor coverage is included with these parts

### **Exclusions:**

This Limited Lifetime Warranty does not extend to paint, rust or corrosion of any kind due to a lack of maintenance or improper venting, combustion air provision, corrosive chemicals (i.e. chlorine, salt, air, etc.), door or glass gasketing.

Malfunction, damage or performance based issues as a result of environmental conditions, location, chemical damages, downdrafts, installation error, installation by an unqualified installer, incorrect chimney components (including but not limited to cap size or type), operator error, abuse, misuse, use of improper fuels, lack of regular maintenance and upkeep, acts of God, weather related problems from hurricanes, tornados, earthquakes, floods, lightning strikes/bolts or acts of terrorism or war, which result in malfunction of the appliance are not covered under the terms of this Limited Lifetime Warranty.

FPI has no obligation to enhance or modify any unit once manufactured (i.e. as products evolve, field modifications or upgrades will not be performed on existing appliances).

This warranty does not cover dealer travel costs for diagnostic or service work. All labor rates paid to authorized dealers are subsidized, pre-determined rates. Dealers may charge homeowner for travel and additional time beyond their subsidy.

Any unit showing signs of neglect or misuse will not be covered under the terms of this warranty policy and may void this warranty. This includes units with rusted or corroded fireboxes which have not been reported as rusted or corroded within three (3) months of installation/purchase.

Units which show evidence of being operated while damaged, or with problems known to the purchaser and causing further damages will void this warranty.

Units where the serial no. has been altered, deleted, removed or made illegible will void this warranty.

Minor movement, expansion and contraction of the steel is normal and is not covered under the terms of this warranty.

Freight damages for products or parts are not covered under the terms of the warranty.

Products made or provided by other manufacturers and used in conjunction with the FPI appliance without prior authorization from FPI may void this warranty.

# warranty

## **Limitations of Liability:**

The original purchaser's exclusive remedy under this warranty, and FPI's sole obligation under this warranty, express or implied, in contract or in tort, shall be limited to replacement, repair, or refund, as outlined above. IN NO EVENT WILL FPI BE LIABLE UNDER THIS WARRANTY FOR ANY INCIDENTAL OR CONSEQUENTIAL COMMERCIAL DAMAGES OR DAMAGES TO PROPERTY. TO THE EXTENT PERMITTED BY APPLICABLE LAW, FPI MAKES NO EXPRESS WARRANTIES OTHER THAN THE WARRANTY SPECIFIED HEREIN. THE DURATION OF ANY IMPLIED WARRANTY IS LIMITED TO DURATION OF THE EXPRESSED WARRANTY SPECIFIED ABOVE. IF IMPLIED WARRANTIES CANNOT BE DISCLAIMED, THEN SUCH WARRANTIES ARE LIMITED IN DURATION TO THE DURATION OF THIS WARRANTY.

Some U.S. states do not allow limitations on how long an implied warranty lasts, or allow exclusion or limitation of incidental or consequential damages, so the above limitations or exclusions may not apply to you.

Customers located outside the U.S. should consult their local, provincial or national legal codes for additional terms which may be applicable to this warranty.

## **How to Obtain Warranty Service:**

Customers should contact the authorized selling dealer to obtain warranty service. In the event the authorized selling dealer is unable to provide warranty service, please contact FPI by mail at the address listed below. Please include a brief description of the problem and your address, email and telephone contact information. A representative will contact you to make arrangements for an inspection and/or warranty service.

### Canadian Warrantor:

**FPI Fireplace Products International Ltd.**  
6988 Venture St.  
Delta, British Columbia  
Canada, V4G 1H4

### U.S. Warrantor:

**Fireplace Products U.S., Inc.**  
PO Box 2189 PMB 125  
Blaine, WA  
United States, 98231

Or contact the Regency Customer Care Centre at 1-800-442-7432 (phone) / 604-946-4349 (fax)

## **Product Registration and Customer Support:**

Thank you for choosing a Regency Fireplace. Regency strives to be a world leader in the design, manufacture, and marketing of hearth products. To provide the best support for your product, we request that you complete a product registration form at <http://www.regency-fire.com/Customer-Care/Warranty-Registration.aspx> within ninety (90) days of purchase.



### Product Registration and Customer Support:

Thank you for choosing a Regency Fireplace. Regency strives to be a world leader in the design, manufacture, and marketing of hearth products. To provide the best support for your product, we request that you complete a product registration form found on our Web Site under Customer Care within ninety (90) days of purchase.

For purchases made in **CANADA or the UNITED STATES:**

<http://www.regency-fire.com/Customer-Care/Warranty-Registration.aspx>

For purchases made in **AUSTRALIA:**

<http://www.regency-fire.com.au/Customer-Care/Warranty-Registration.aspx>

You may also complete the warranty registration form below to register your Regency Fireplace Product and mail and/or fax it back to us, and we will register the warranty for you. It is important you provide us with all the information below in order for us to serve you better.

### Warranty Registration Form (or Register online immediately at the above Web Site):

|  |  |
|--|--|
| <b>Warranty Details</b>                |  |
| Serial Number (required):              |  |
| Purchase Date (required) (mm/dd/yyyy): |  |
| <b>Product Details</b>                 |  |
| Product Model (required):              |  |
| <b>Dealer Details</b>                  |  |
| Dealer Name (required):                |  |
| Dealer Address:                        |  |
| Dealer Phone #:                        |  |
| Installer:                             |  |
| Date Installed (mm/dd/yyyy):           |  |
| <b>Your Contact Details (required)</b> |  |
| Name:                                  |  |
| Address:                               |  |
| Phone:                                 |  |
| Email:                                 |  |

For purchases made in **CANADA:**

**FPI Fireplace Products  
International Ltd.**  
6988 Venture St.  
Delta, British Columbia  
Canada, V4G 1H4

Phone: 604-946-5155  
Fax: 604-946-4349

For purchases made in the **UNITED STATES:**

**Fireplace Products U.S., Inc.**  
PO Box 2189 PMB 125  
Blaine, WA  
United States, 98231

Phone: 604-946-5155  
Fax: 604-946-4349

For purchases made in **AUSTRALIA:**

**Fireplace Products Australia Pty  
Ltd**  
1- 3 Conquest Way  
Hallam, VIC  
Australia, 3803

Phone: +61 3 9799 7277  
Fax: +61 3 9799 7822

For fireplace care and tips and answers to most common questions please visit our Customer Care section on our Web Site. Please feel free to contact your selling dealer if you have any questions about your Regency product.









***Installer: Please complete the following information***

**Dealer Name & Address:** \_\_\_\_\_

\_\_\_\_\_

**Installer:** \_\_\_\_\_

**Phone #:** \_\_\_\_\_

**Date Installed:** \_\_\_\_\_

**Serial No.:** \_\_\_\_\_