

HAMPTON CAST
IRON FIREPLACES

 **REGENCY**[®]
FIREPLACE PRODUCTS

www.regency-fire.com




HAMPTON[®]
CAST IRON FIREPLACES

WHY CHOOSE HAMPTON?

CLEAN BURNING HEATING SOLUTIONS

Over 35 years ago, I founded this company with a mission to produce the finest fireplace products available anywhere. The Hampton line is the result of millions of dollars in product development, years of research, and listening to what consumers are looking for in a fireplace: timeless styling, exceptional quality and a way to cut home heating costs.

HAMPTON QUALITY

The rich porcelain enamel finish of each Hampton cast iron product is a work of art. The tasteful glass grille comes in three fashionable colors, and other options, like the addition of side shelves, invite you to create your own Hampton.

CUT FUEL BILLS IN HALF

Turn your furnace down and enjoy comforting Hampton heat in the living areas you spend time in. Retain peace of mind, even during power outages; All Hampton products continue to operate without electricity.

LIFETIME GUARANTEE

I am so confident in the quality workmanship, the finest materials and durable heavy-duty construction invested in each and every product we build, I offer a Limited Lifetime Warranty. I know you will be as proud of your Hampton as I am – I guarantee it.



Robert Little
Founder & CEO



TABLE OF CONTENTS

<i>Hampton Wood Inserts</i>	
Hi400	04
Hi200 & Hi300	06

<i>Hampton Wood Stoves</i>	
H200 & H300	08

<i>Hampton Pellet Insert & Stove</i>	
GCi60, GC60	10

<i>Hampton Gas Stoves</i>	
H15, H27, H35	12

<i>Technical Specs</i>	14
------------------------	-----------





Hampton HI400 wood insert in timberline brown enamel finish with decorative cast grille.

HAMPTON® HYBRID CATALYTIC WOOD INSERT | Hi400

STYLE MEETS TECHNOLOGY

This hybrid catalytic wood insert by Hampton completes the look of any room. With modern technology and traditional design, enjoy the best of both worlds without sacrificing style or efficiency. The Hi400 is the next generation of wood inserts; able to heat homes up to 2,600 sq. ft. while meeting strict EPA standards.

LATEST IN WOOD BURNING TECHNOLOGY

The Eco-Boost™ hybrid catalytic system allows fuel to burn at a slower rate, delivering up to 14 hours of heat with a single load of wood. Fuel is used to its full potential with only 1.8 g/hr of emissions and 86.1% efficiency!

SPECIFICATIONS

Technology	Eco-Boost™
Maximum BTU*	77,000
Typical Sq. Ft. Heated**	up to 2,600 sq. ft.
Optimum Efficiency	86.1%
Maximum Log Size	22"
Burn Time (Typical)*	up to 14 hrs.
Emissions (grams/hour)	1.8 g
Firebox Size	2.6 cu. ft.
Flue size	6"
Viewing area	250 sq. in.
Load opening	20" W x 10" H

MINIMUM FIREPLACE OPENING

Width	28-13/16"
Height	21-3/4"
Depth	19"

*Length of burn time and BTU range depend on type of wood, moisture content, climate conditions and installation.

**Varies depending on home floor plan, house layout, heat loss of the house and quality/moisture content of wood.



Hampton Hi400 wood insert in black finish.

BURN TIME
up to
14 HOURS*

STANDARD FEATURES

- EPA certified
- Eco-Boost™ Technology
- 2.6 cu. ft. firebox accommodating 22" logs
- Single rod bypass damper to engage catalyst
- Single lever air control to adjust heat output
- Digital Catalytic temperature monitor
- High performance brick-lined firebox
- Clean glass airwash system
- Traditional cast iron door
- Ceramic glass
- 250 sq. in. viewing area
- 110° opening door for easy loading
- Quick access leveling bolts
- Rollers for easy installation

OPTIONS

- Black or timberline brown enamel finish
- Flush mount 2 speed blower
- Faceplates in two sizes
- Decorative cast grille
- Backing plates in two sizes
- Offset flue adaptor for installation flexibility
- Stainless steel liner kits
- Flue connectors
- Wrap insulation kits





Hampton Hi300 wood insert in timberline brown enamel finish with decorative cast grille.

HAMPTON® WOOD INSERTS | Hi200 • Hi300

HIGH EFFICIENCY HEAT

Hampton cast iron wood inserts install easily into your existing fireplace to add the timeless beauty of cast iron and to eliminate open fireplace drafts.

PERFECT SOLUTION

These fireplace inserts deliver up to 75,000 BTU of high efficiency heat, circulating comforting warmth to the living areas you spend time in. Decrease your heating bills and increase the value of your home with one of two inserts sized to fit your fireplace and your style.

SPECIFICATIONS	Hi200	Hi300
Maximum BTU*	55,000	75,000
Typical Sq. Ft. Heated**	600 - 1,000	1,000 - 2,000
Optimum Efficiency	77.7%	77.0%
Maximum Log Size	18"	18"
Burn time (Typical)*	up to 8 hrs.	up to 8 hrs.
Emissions (grams/hour)	3.0 g	3.44 g
Firebox Size	1.4 cu.ft.	2.3 cu.ft.
Flue size	6"	6"
Shipping Weight	258 lbs	437 lbs

MINIMUM FIREPLACE OPENING		
Width (front)	25"	25"
Height	19-5/8"	21-1/2"
Depth	15-1/16"	17-1/2"
Depth (with offset flue)	17-11/16"	--

* Length of burn time and BTU range depend on type of wood, moisture content, climate conditions and installation.

** Varies depending on home floor plan, house layout, heat loss of the house and quality/moisture content of wood.



Hampton Hi200 wood Insert in black finish.

BURN TIME
up to
8 HOURS*

STANDARD FEATURES

- EPA Certified
- Non-catalytic technology
- Single rod draft control
- Airwash system
- Brick-lined firebox
- Cast iron door with oak handle
- Cast grille (Hi200)
- Ceramic glass
- Burn time: up to 8 hrs*
- 6" flue

OPTIONS

- Black or timberline brown enamel finish
- 2 speed blower
- Faceplates in two sizes (Hi300)
- Cast grille (Hi300)
- Power outlet conversion (Hi300)
- Standard or offset flue adaptor (Hi200)
- Stainless steel liner kit
- Flue connectors
- Wrap insulation kits



*Hi300 with oversized faceplate
in black finish.*



*Hi200 in timberline brown
enamel finish.*



Hampton H200 medium wood stove in charcoal gray finish.

HAMPTON® WOOD STOVES | H200 • H300

COMFORT AND CONVENIENCE

Convenient and efficient, Hampton wood stoves keep your home comfortable all year – even during power outages. Add a 2 speed blower to circulate even more heat.

ENVIRONMENTALLY FRIENDLY

All Hampton wood products are certified by the Environmental Protection Agency (EPA) and meet or exceed the strictest of clean air standards. Available in two sizes, including a hearth mount version, Hampton wood stoves work hard and look great!

SPECIFICATIONS	H200	H300
Maximum BTU*	38,800	45,500
Typical Sq. Ft. Heated**	600 - 1,000	1,000 - 2,000
Optimum Efficiency	83.9%	83.6%
Maximum log size	16"	18"
Burn time (Typical)*	up to 6 hrs.	up to 8 hrs.
Emissions (grams/hour)	3.9 g	4.1 g
Firebox size	1.34 cu. ft.	1.71 cu. ft.
Flue size	6"	6"
Shipping Weight	417 lbs	474 lbs

* Length of burn time and BTU range depend on type of wood, moisture content, climate conditions and installation.

** Varies depending on home floor plan, house layout, heat loss of the house and quality/moisture content of wood.



Hampton H300 large wood stove shown with optional side shelves in timberline brown enamel finish.

BURN TIME
up to
8 HOURS*

STANDARD FEATURES

- EPA Certified
- Non-catalytic technology
- Single draft lever control
- Airwash system
- Brick-lined firebox
- Cast iron door with oak handle
- Cast grille
- Ceramic glass
- Standard legs
- Top or rear vent
- 6" flue
- Ash drawer (H300 - use with standard legs only)
- Front and side door loading (H300)
- Cast iron cooktop surface (H300)

OPTIONS

- Charcoal gray or timberline brown enamel finish
- Matching side shelves (set of two)
- Matching short cast legs
- 2 speed blower
- Outside air adaptor (use with standard legs only)
- Ash drawer (H200 - use with standard legs only)
- Stainless steel liner kits (into masonry chimney only)
- Wrap insulation kits (into masonry chimney only)



H300 shown in charcoal gray finish.



H200 shown with optional side shelves in timberline brown enamel finish.



H200 shown with short cast legs in charcoal grey finish.



Hampton GCi60 biomass pellet insert shown with ceramic log set.

HAMPTON® | GCi60 • GC60 Biomass Pellet Insert & Stove

INEXPENSIVE OPERATION

Our Hampton Collection of cast iron biomass pellet products combine the best features of traditional cast iron with the latest developments in alternative fuel technology. Able to burn wood, corn, wheat and barley pellets, they offer maximum heat efficiency for cost effective home heating.

PRICELESS DESIGN

The Hampton pellet stove and insert features the most impressive pellet flame in the industry. Supported by a patent pending low maintenance burner, these models require less cleaning and have high heat efficiency.

SPECIFICATIONS	GCi60	GC60
BTU Input (on high)*	55,000	55,000
BTU Input (on low)*	10,000	10,000
Optimum Efficiency	83.5%	76.6%
Emissions (grams/hour)	1.0 g	1.0 g
Fuel Capacity (hopper size)	60 lbs	60 lbs
Burn Time (typical)	up to 36 hrs.	up to 36 hrs.
Room Size / Area Heated**	up to 2,500 sq. ft.	up to 2,500 sq. ft.
Weight	500 lbs	504 lbs
Max. Power usage (ignitor on)	504 Watts	504 Watts
Operating Power usage	200 Watts	200 Watts
Vent Size	4"	4"
Viewing Area	232 sq. in.	232 sq. in.

MINIMUM FIREPLACE OPENING (GCi60 ONLY)

Width (front)	27"
Height	23"
Depth	16"

* Figure will vary with individual conditions and fuel quality.

** Figure will vary with floor plan, house layout / heat loss of the house and quality of pellets used.



Hampton GC60 biomass pellet stove shown with ceramic log set.

BURN TIME
up to
36 HOURS*

STANDARD FEATURES

- Ability to burn a variety of biomass pellet fuels - high grade to low grade wood, corn, wheat and barley
- Durable cast iron exterior provides both beauty and radiant heat
- Most impressive pellet flame in the industry
- Low maintenance burner with agitator rod in the burn pot
- Reduced cleaning intervals compared to other pellet stoves
- Quick start automatic (400 watt) ignitor with air pump
- 200 CFM convection variable speed blower
- Standard wall thermostat
- Concealed, easy-to-use controls with Tri-mode operating system (Manual – Hi/Lo – Auto/Off)
- Advanced air wash system for cleaner glass
- Mobile home approved (GC60 only)
- Large concealed ash drawer

OPTIONS

- Ceramic one piece log set
- Oversize filler panel (GCi60 only)





Hampton H27 medium gas stove with decorative glass grille in charcoal gray finish.

HAMPTON® GAS STOVES | H15 • H27 • H35

OUTSTANDING FIRE

Hampton's beautiful styling is enhanced by Regency's unsurpassed fire and log package. Convenient gas flames carefully engineered to twist and flicker in yellows and reds accentuate industry's most realistic log set.

HIGH EFFICIENCY HEAT

Hamptons are designed to deliver adjustable, high efficiency heat. Enjoy simple comfort control with the included Proflame II Remote Control or the added option of a wall thermostat. Available in 3 sizes, Hampton gas stoves heat your home while saving you money on your heating bill.

SPECIFICATIONS (NG)	H15 SMALL	H27 MEDIUM	H35 LARGE
Maximum BTU	18,000	25,000	30,000
Turn down to (BTU)	12,700	18,000	21,500
Efficiency	61.97%	67.63%	75.27%
EnerGuide rating (Canada only)	55.33%	61.22%	70.86%

SPECIFICATIONS (PROPANE)			
Maximum BTU	18,000	22,000	29,500
Turn down to (BTU)	15,500	17,500	24,000
Efficiency	63.69%	66.51%	75.77%
EnerGuide rating (Canada only)	57.46%	63.07%	71.97%



Hampton H35 large gas stove with decorative glass grille in timberline brown enamel finish.

STANDARD FEATURES

- Natural Gas
- Electronic ignition with SureFire® switch
- Accent light
- ProFlame II remote control (GTMFL)
- Thermostat (built into remote)
- Modulating flame adjustment
- Light
- Safety screen
- Cast grille
- Ceramic glass
- Reversible flue for top or rear venting

OPTIONS

- Charcoal gray, timberline brown enamel finish
- Ivory enamel finish (H15, H35)
- Brick panels in red or brown (H35)
- Variable speed blower
- Wall thermostat
- AstroCap™ vent system
- Color match vent paint
- Propane conversion kit



H35 in ivory enamel finish with decorative glass grille.



H27 in timberline brown enamel finish with decorative glass grille.



H15 in timberline brown enamel finish with decorative glass grille.

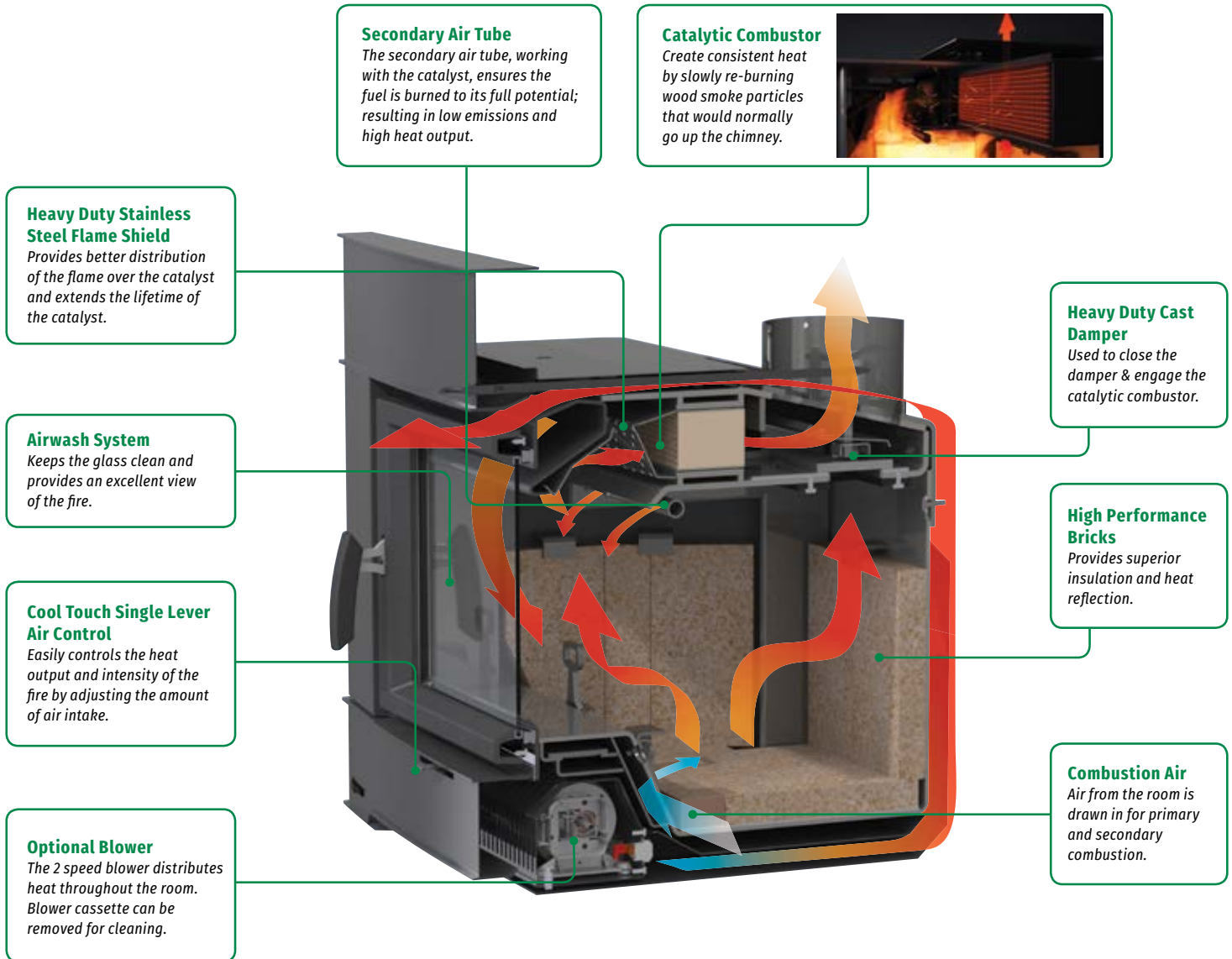


H15 in charcoal gray finish with decorative glass grille.

HAMPTON® HYBRID CATALYTIC WOOD INSERT - Hi400

HOW DOES *ECO-BOOST™* “3-STAGE BURN” TECHNOLOGY WORK?

In addition to the 2-stage burn in typical fireplaces, in stage 3 the remaining unburned gases are fed through Regency's custom-designed catalytic combustor chamber. Boosting temperatures to an astonishing 1,000 degrees Fahrenheit, the system delivers a balance of higher efficiency, cleaner combustion, and maximum heat control – all with less wood, less loading, and less effort.



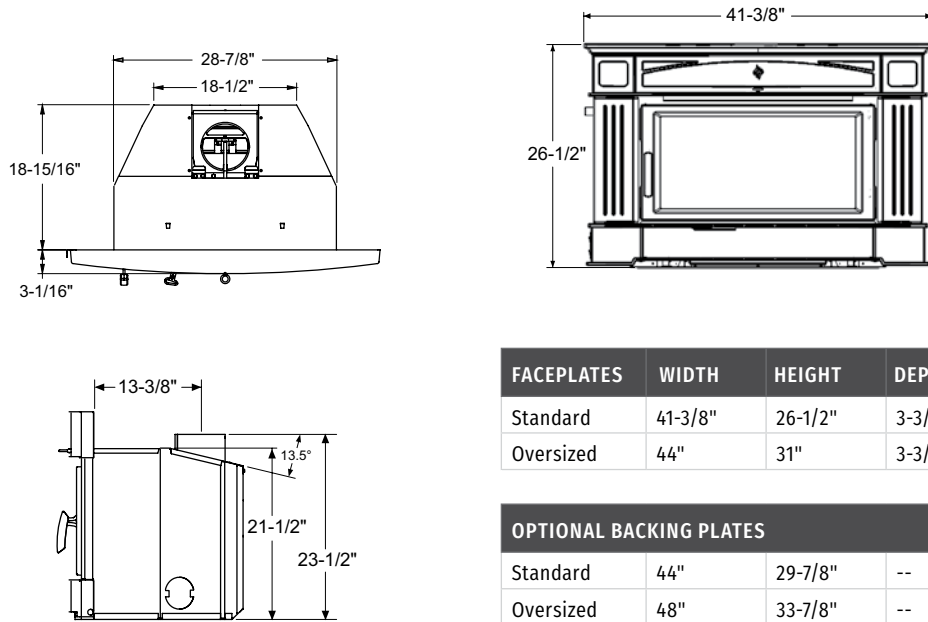
*Not shown in diagram

Heavy Duty Cam Latch
Ensures airtight seal for controlled airflow.



HAMPTON® HYBRID CATALYTIC WOOD INSERT - Hi400

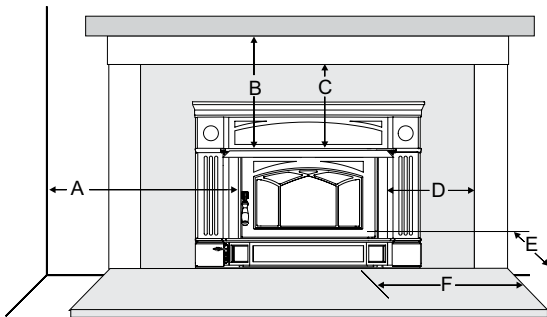
DIMENSIONS



FACEPLATES	WIDTH	HEIGHT	DEPTH
Standard	41-3/8"	26-1/2"	3-3/4"
Oversized	44"	31"	3-3/4"

OPTIONAL BACKING PLATES			
Standard	44"	29-7/8"	--
Oversized	48"	33-7/8"	--

MINIMUM CLEARANCES TO COMBUSTIBLE MATERIALS



MINIMUM CLEARANCES TO COMBUSTIBLE MATERIALS	ADJACENT SIDE WALL (TO SIDE OF THE DOOR)	MANTEL** (TO TOP OF DOOR)	TOP FACING (TO TOP OF DOOR)	SIDE FACING (TO SIDE OF THE DOOR)	MINIMUM HEARTH EXTENSION*	MINIMUM HEARTH SIDE EXTENSION*
	A	B	C	D	E	F
Hi400	12-3/16"	21-5/8"	14"	7-3/8"	US 16" Canada 18"	8"

NOTE: Minimum Hearth Extension for the front (E) and sides (F) are measured from the fuel door opening. Side and Top facing is a maximum of 1.5" thick.

* Side hearth extension for Canada measured from side of appliance.

* Hearth to have minimum: R value of 2.13 or greater.

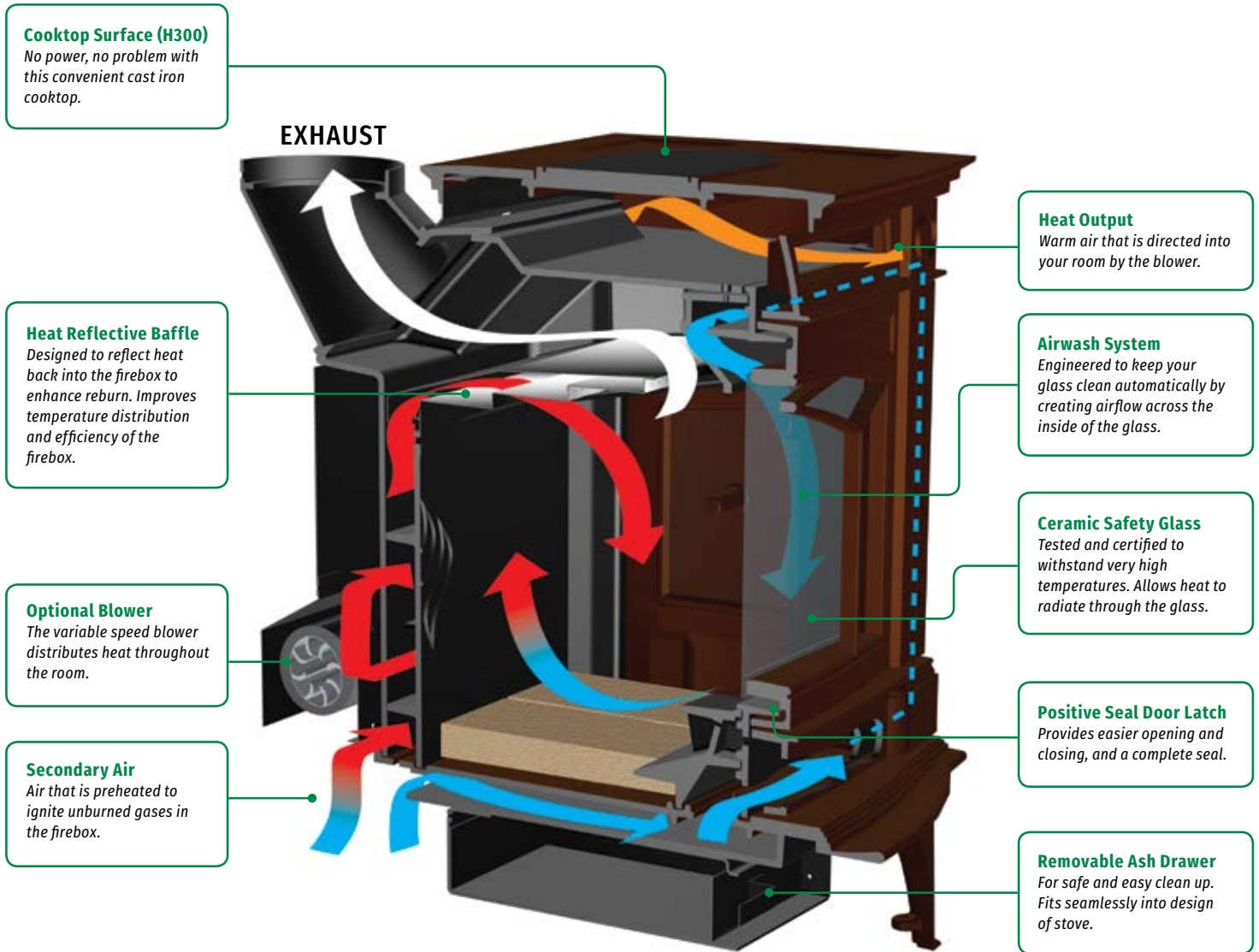
** A non-combustible mantel may be installed at a lower height if the framing is made of metal studs covered with a non-combustible board.

** Max. mantel depth is 10" (254mm).

HAMPTON® WOOD PRODUCTS

HOW DOES **NON-CATALYTIC “2-STAGE BURN” TECHNOLOGY** WORK?

The airflow in the firebox is directed in such a way that fuel is burned in 2 stages. Once during initial combustion, and again when smoke is re-burned. This 2-stage burn creates greater efficiency, a spectacular fire to look at and results in cleaner emissions. By combining non-catalytic technology with durable construction, Regency builds wood fireplaces that are guaranteed to last.

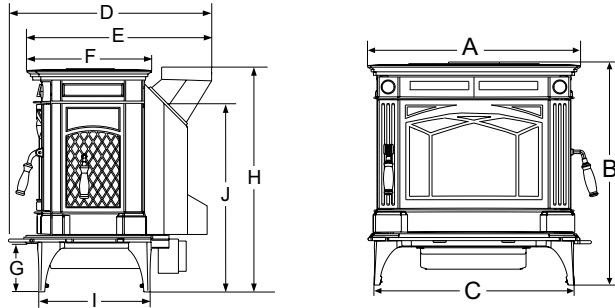


**Not shown in diagram*

Single Rod Draft Control
Simple and easy to control heat output and size of fire.

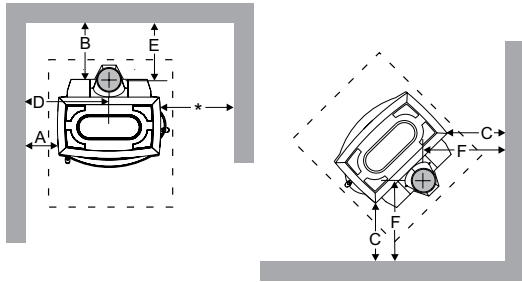
HAMPTON® WOOD PRODUCTS

WOOD STOVES



DIMENSIONS	H200	H300
A	23-7/8"	27"
B	27-5/8"	29-3/4"
B (short legs)	22-5/8"	24-3/8"
C	22-1/8"	25-1/2"
D	25-1/8"	26"
E	21"	24"
F	16"	16-1/8"
G	7-1/8"	7-1/8"
H	28-3/4"	30-1/4"
H (short legs)	23-3/4"	24-3/4"
I	15"	15"
J*	25-7/8"	27-1/4"
J* (short legs)	21"	22-1/8"

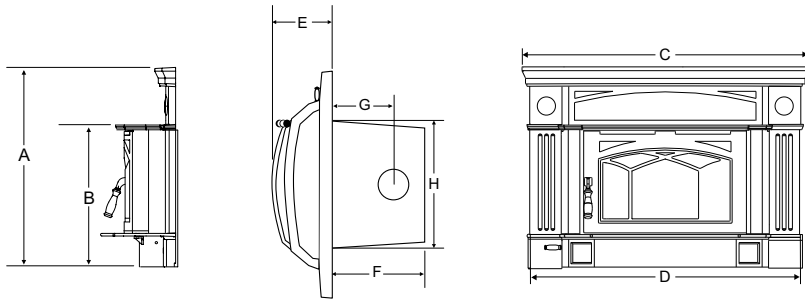
* to center line if rear vented.



MINIMUM CLEARANCE TO COMBUSTIBLES		A	B	C	D	E	F
H200	Residential Installation C Vent	17"	15"	13"	29"	17-1/8"	19-7/8"
	Residential Close Clearance	15"	10"	9"	27"	12-1/8"	15-7/8"
	Mobile Home Close Clearance	15"	10"	9"	27"	12-1/8"	15-7/8"
H300	Residential Installation C Vent	17"	15"	13"	30"	15"	19"
	Residential Close Clearance	15"	10"	9"	28"	10"	15"
	Mobile Home Close Clearance	15"	10"	9"	28"	10"	15"

NOTE: In Canada floor protection must extend 18" to the front and 8" to the sides and back. With side load door (H300 only) floor protection must extend 18" to the side. In USA same as above except floor protection extends 6" to sides and back. Minimum clearance with side load door is 18" to side wall. Refer to dimension (B) for clearance without side load door.

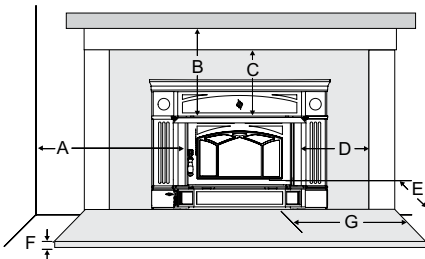
WOOD INSERTS



DIMENSIONS	HI200	HI300	HI300 OVERSIZE
A	27-1/4"	30"	34-9/16"
B	19"	21-1/2"	21-1/2"
C	39-13/16"	42-1/2"	51-7/8"
D	38-5/16"	40"	48-1/16"
E	6-3/8"	11-3/8"	12-3/16"
F	15-1/16"	17-1/4"	16-1/2"
G (regular)	9-5/8"	11-1/8"	10-7/16"
G (offset adaptor)	14-1/8"	--	--
H	21-1/4"	23-3/4"	23-3/4"

Masonry & Factory Built Fireplace Clearances

The minimum required clearances to combustible materials when installed into a masonry fireplace are:



	ADJACENT SIDE WALL (TO SIDE)	MANTEL (TO TOP)	TOP FACING (TO TOP)***	SIDE FACING (TO SIDE)***	MIN. HEARTH EXTENSION*	MIN. HEARTH THICKNESS*	MIN HEARTH SIDE EXTENSION**
	A	B	C	D	E	F	G
Hi200	15"	20"	14"	7-3/8"	18" CA/16" US	1-1/2"	8" CA/6" US
Hi300 (regular faceplate)	11"	20"	12"	8"	18" CA/16" US	1/2"	8"
Hi300 (oversize faceplate)	11"	20"	14"	11"	18" CA/16" US	1/2"	8"

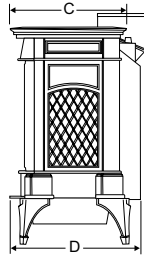
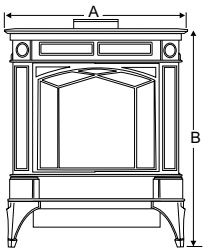
* Note: If the hearth extension is flush with the floor (item F) it must extend 19.5" in front of the body face (item E).

** Note: Hearth extension width (G) is measured from edge of fuel door to side of hearth.

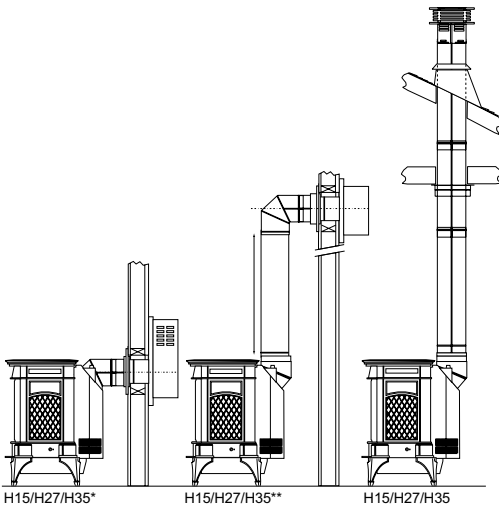
*** up to 1-1/2" thick.

HAMPTON® GAS PRODUCTS

GAS STOVES

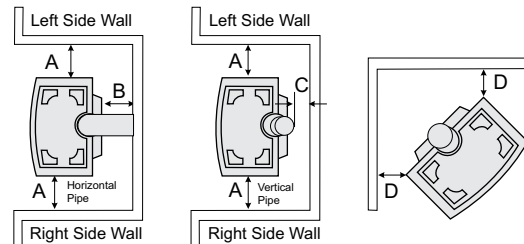


DIMENSIONS	H15	H27	H35
A	20-11/16"	24-9/16"	27-3/8"
B	22-7/8"	27-3/16"	28-1/8"
C	14-1/4"	15-5/8"	21-3/16"
D	17-13/16"	17-13/16"	22-7/8"
Shipping Weight	198 lbs	227 lbs	322 lbs



H15/H27/H35* H15/H27/H35** H15/H27/H35

* The H15 can be vented horizontally with the AstroCap™ system.
For rear vent applications, H27 and H35 require a riser vent.
** H35 requires minimum 1 ft. rise.



CLEARANCES TO COMBUSTIBLES	H15	H27	H35
A - Side Wall To Unit	6"	6"	6-1/2"
B - Back Wall To Unit	0"*	3"	6"
C - Vertical Vent to Back Wall	2"	2"	2"
D - Side Wall To Unit (Corner)	2"	2"	2"

Minimum clearance of vent terminal to outside corner and inside corner:
AstroCap™ 6", Dura-Vent Cap 12"

*It is recommended that the unit is moved away from wall, if installing the blower option so the fan can be easily installed/serviced.

ACCESSORIES

ProFlame II Remote Control - Standard

Control your Hampton gas stove with the easy-to-use ProFlame II remote control. Control the following:

- Thermostat
- Modulating flame adjustment
- Fan (optional)
- Light
- SureFire® switch



ProFlame II Remote Control



Thermostat

Programmable Thermostat - Optional

Set a specific temperature with a Hampton wall thermostat to maintain a constant comfort level in your home.

Heat Activated Blower (2 speed or variable speed) - Optional

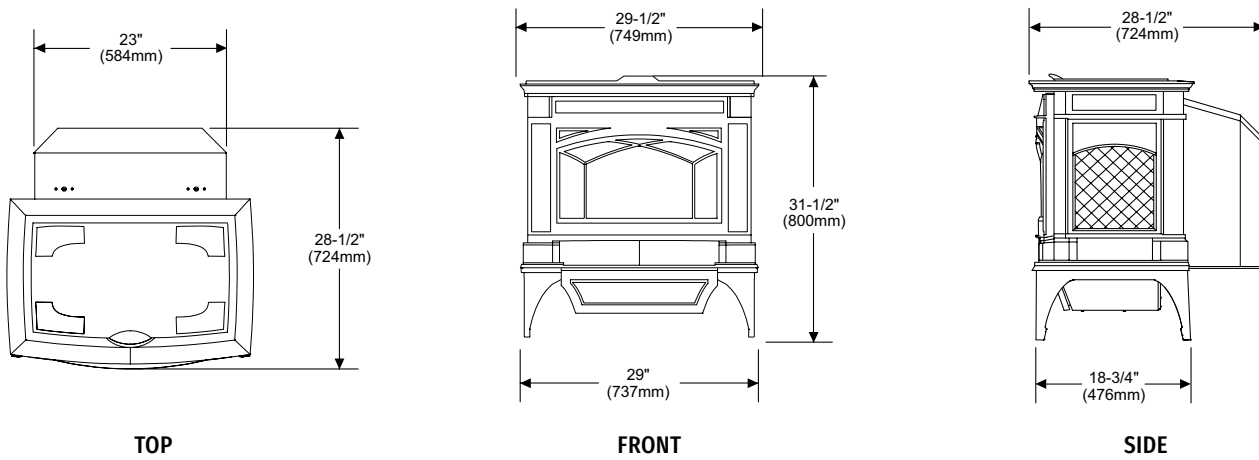
Add a blower to your Hampton unit to distribute the heat further into your room or into adjacent rooms.



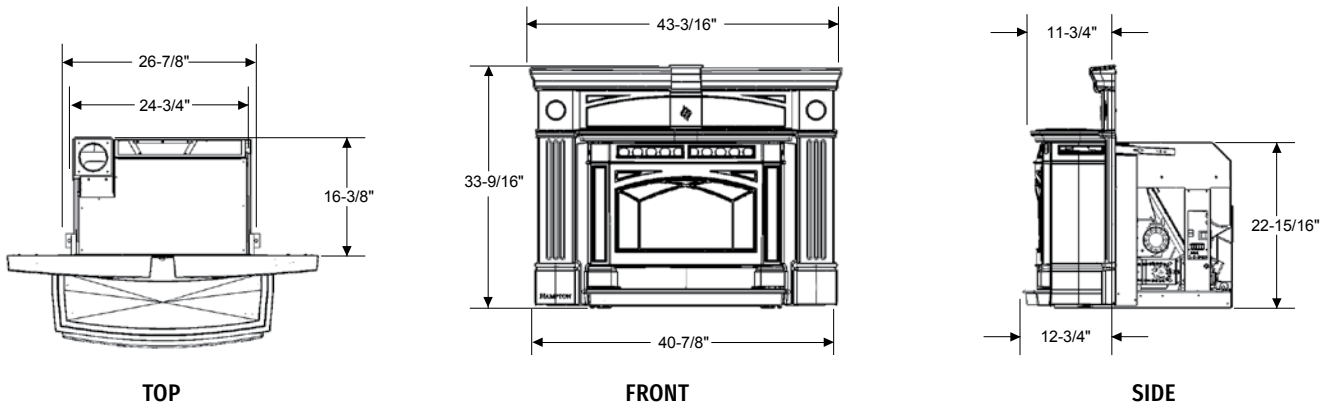
Blower

HAMPTON® PELLET PRODUCTS

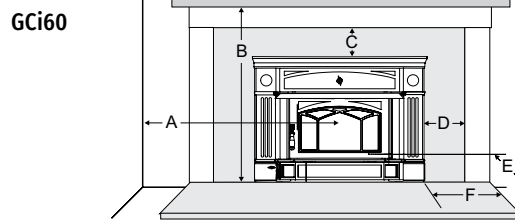
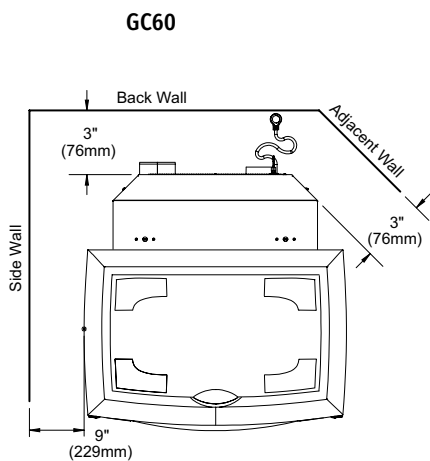
GC60 PELLET STOVE



GCi60 PELLET INSERT



CLEARANCES



MASONRY & FACTORY BUILT FIREPLACE CLEARANCES

The minimum required clearances to combustible materials when installed in a masonry fireplace are:

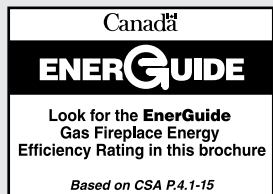
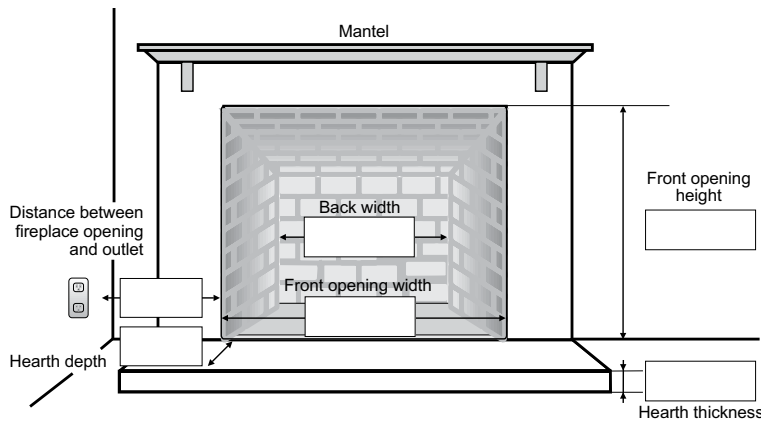
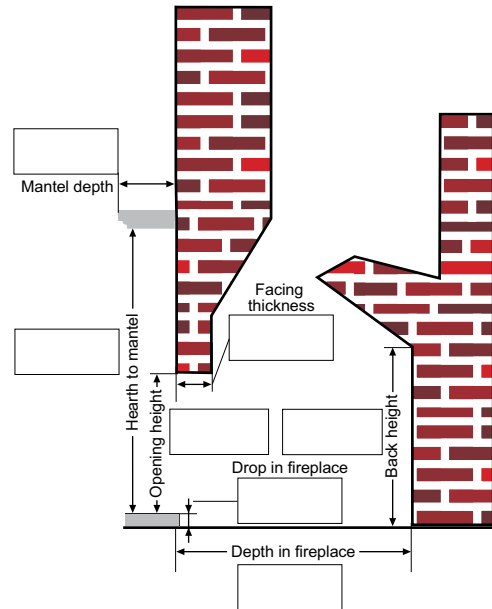
	Adjacent Side Wall (from center)	Mantel (12" (bottom unit)	Top Facing (3/4" protrusion) (top faceplate)	Adjacent Side Wall (from faceplate)	Min. Hearth Extension (from door opening)	Min. Hearth Side Extension (from side of unit)
	A	B	C	D	E	F
GCi60	24"	33"	0	2"	6"	6"

FIREPLACE SELECTION WORKSHEET

We want you to enjoy your beautiful Hampton fireplace for years to come. To help you figure out which product is just right for your home, fill in the following worksheet. Once complete, visit your nearest Regency dealer. Your professional dealer will assess your needs - including local building codes - and install your Hampton.

1. BASIC PRODUCT FUNCTION QUESTIONS	
a. I would like my unit to provide me with:	<input type="checkbox"/> Supplemental heating <input type="checkbox"/> Priority heating
b. The room/rooms I would like to heat are:	sq. ft.

2. FIREPLACE PRODUCT TYPE AND MEASUREMENTS	
a. I am:	<input type="checkbox"/> Installing a new fireplace <input type="checkbox"/> Installing into an existing fireplace
b. Fill in the following measurements:	Ceiling Height:
	Location in the room:
c. What is the:	Flooring material:
	Wall material:
	Ceiling material:
d. Fireplace opening dimensions:	Width (front):
	Width (back):
	Height:
	Depth:



www.regency-fire.com

©2018 FPI Fireplace Products International Ltd. Regency®, Hampton®, SureFire® and AstroCap™ are registered or proprietary trademarks of FPI Fireplace Products International Ltd. All rights reserved.

Printed in Canada (07/18)

Part no. 944-235

your Regency dealer