

**INSTALLER: LEAVE THIS MANUAL WITH THE APPLIANCE.**  
**CONSUMER: RETAIN THIS MANUAL FOR FUTURE REFERENCE.**  
**NEVER LEAVE CHILDREN OR OTHER AT RISK INDIVIDUALS ALONE WITH THE APPLIANCE.**



# INSTALLATION AND OPERATING INSTRUCTIONS

EN

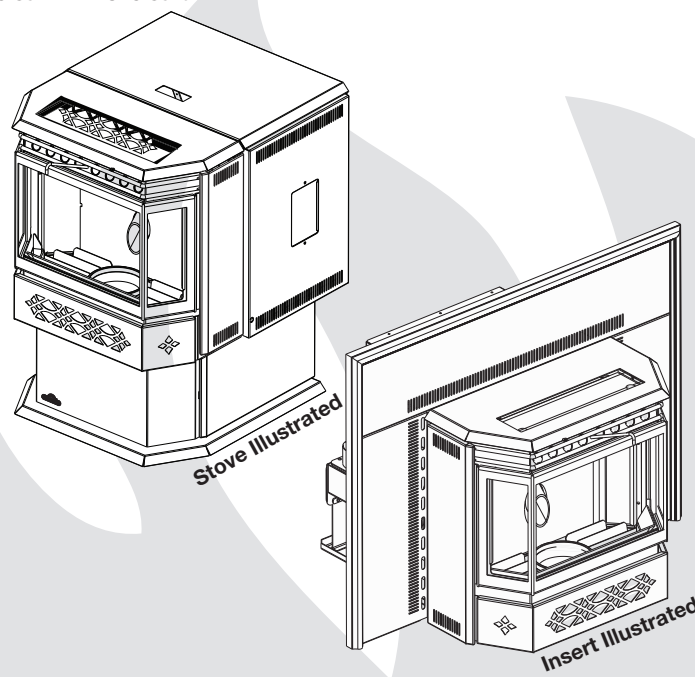
FR  
PG  
55

MODEL NPS45/NPI45 MEET THE 2015 U.S ENVIRONMENTAL PROTECTION AGENCY (E.P.A.) PELLET FUEL EMISSION LIMITS FOR PELLET APPLIANCES SOLD AFTER MAY 15, 2015, 40 C.F. R. PART 60. THESE STOVES HAVE BEEN TESTED AND LISTED BY INTERTEK TESTING SERVICES TO STANDARDS: ASTM E 1509, ULC/ORD C1482M-90, ULC S627 AND ULC S628.

## NPS45 PELLET STOVE

---

## NPI45 PELLET INSERT



### SAFETY INFORMATION

## ! WARNING

**PLEASE READ ENTIRE MANUAL BEFORE YOU INSTALL OR USE THIS PELLET BURNING APPLIANCE.**

**If the appliance is not properly installed, a house fire may result causing personal injury or loss of life.**

- Authorities having jurisdiction (such as municipal building department, fire department, fire prevention bureau, etc.) should be consulted before installation to determine the need to obtain a permit.
- Contact local building or fire officials about restrictions and installation inspection requirements in your area.
- This appliance is hot while in operation. Keep children, clothing and furniture away. Contact may cause skin burns.
- Do not start a fire with chemicals or fluids such as gasoline, engine oil, etc...
- Do not burn trash or garbage, lawn clippings / waste, rubber, waste petroleum products, paints or paint thinners / solvents, plastic, materials containing asbestos, construction debris, railroad ties, manure or animal remains, salt water driftwood or salted materials, unseasoned wood, coloured paper, cardboard, plywood or particleboard.

**FOR INDOOR USE ONLY!**

## ! WARNING



**HOT GLASS WILL CAUSE BURNS.**  
**DO NOT TOUCH GLASS UNTIL COOLED.**  
**NEVER ALLOW CHILDREN TO TOUCH GLASS.**



APPLY SERIAL NUMBER LABEL FROM CARTON



Serial No.    X X X X X 0 0 0 0 0 0  
 MODEL NO.

Wolf Steel Ltd., 24 Napoleon Rd., Barrie, ON, L4M 0G8 Canada /  
 103 Miller Drive, Crittenden, Kentucky, USA, 41030  
 Phone 1 (866) 820-8686 • www.napoleonfireplaces.com • hearth@napoleonproducts.com

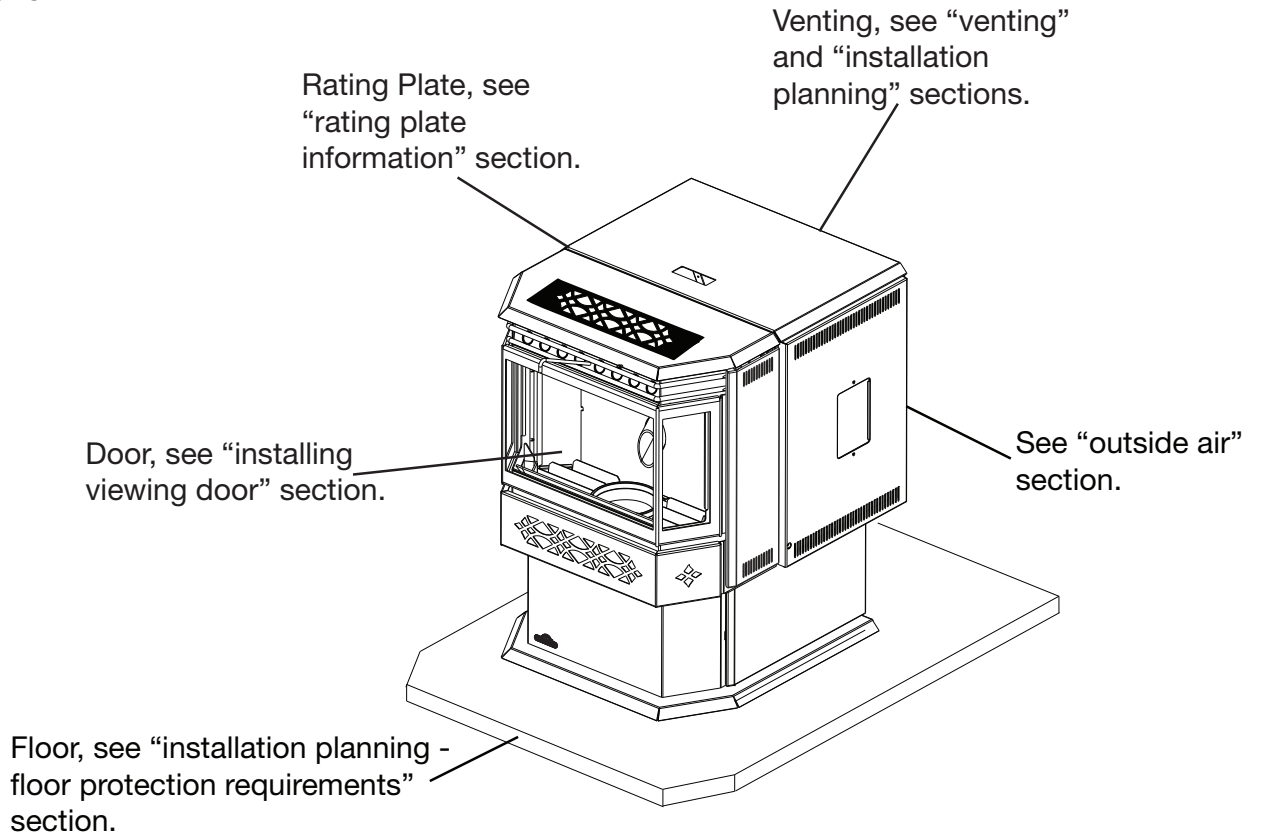
# table of contents

|            |  |           |             |   |           |
|------------|--|-----------|-------------|---|-----------|
| <b>1.0</b> | <b>installation overview</b>                                 | <b>3</b>  | <b>6.0</b>  | <b>finishing</b>                                    | <b>29</b> |
| 1.1        | stove  | 3         | 6.1         | installing viewing door                             | 29        |
| 1.2        | insert   | 4         | 6.2         | flashing installation                               | 30        |
| <b>2.0</b> | <b>introduction</b>  | <b>5</b>  | 6.3         | trivet installation                                 | 30        |
| 2.1        | dimensions   | 6         | <b>7.0</b>  | <b>wiring diagram</b>                               | <b>31</b> |
| 2.1.1      | stove  | 6         | <b>8.0</b>  | <b>operating instructions</b>                       | <b>32</b> |
| 2.1.2      | NPI45 complete with NI800 flashing                           | 6         | 8.1         | proper pellet loading                               | 32        |
| 2.1.3      | NPI45 complete with AK8 adapter and GICSK flashing           | 7         | 8.2         | start up cycle                                      | 32        |
| 2.1.4      | NPI45 complete with AK9 adapter and CISK flashing            | 8         | 8.3         | lighting appliance manually                         | 32        |
| 2.2        | specifications   | 9         | 8.4         | lighting instructions                               | 33        |
| 2.2.1      | heating specifications                                       | 9         | 8.5         | controls  | 33        |
| 2.3        | general instructions   | 9         | 8.6         | control adjustment                                  | 34        |
| 2.4        | general information  | 10        | 8.7         | installing a thermostat or remote control           | 35        |
| 2.4.1      | pellet specifications  | 10        | 8.8         | shutdown instructions                               | 35        |
| 2.4.2      | safety features  | 11        | <b>9.0</b>  | <b>normal operating sounds</b>                      | <b>36</b> |
| 2.4.3      | EPA compliance   | 11        | <b>10.0</b> | <b>maintenance</b>                                  | <b>37</b> |
| 2.5        | rating plate information                                     | 12        | 10.1        | daily maintenance                                   | 37        |
| <b>3.0</b> | <b>installation planning</b>                                 | <b>13</b> | 10.1.1      | main door opening                                   | 37        |
| 3.1        | appliance placement  | 13        | 10.1.2      | ash disposal  | 37        |
| 3.2        | installation options   | 13        | 10.1.3      | burn pot inspection                                 | 37        |
| 3.3        | stove minimum clearance to combustibles                      | 14        | 10.1.4      | care of plated parts                                | 37        |
| 3.3.1      | straight installation  | 14        | 10.1.5      | care of glass                                       | 38        |
| 3.3.2      | corner installation  | 14        | 10.1.6      | heat exchanger tubes cleaning                       | 38        |
| 3.3.3      | alcove installation requirements (minimum)                   | 15        | 10.1.7      | pellet pile up maintenance                          | 38        |
| 3.4        | floor protection requirements installation                   | 16        | 10.1.8      | burn pot cleaning                                   | 39        |
| 3.5        | outside air  | 17        | 10.2        | bi-weekly maintenance (or every 10 bags of pellets) | 39        |
| 3.6        | mobile home  | 17        | 10.2.1      | firebox maintenance (vacuum)                        | 39        |
| <b>4.0</b> | <b>venting</b>   | <b>18</b> | 10.3        | semi-annually (or every 2 tons of pellet)           | 40        |
| 4.1        | type of vent   | 18        | 10.3.1      | vacuum hopper                                       | 40        |
| 4.2        | installing the pellet vent                                   | 18        | 10.3.2      | soot and fly ash formation                          | 40        |
| 4.3        | venting the pellet appliance                                 | 18        | 10.3.3      | vertical exhaust duct cleaning                      | 40        |
| 4.4        | pellet vent termination                                      | 19        | 10.3.4      | exhaust housing clean (insert only)                 | 41        |
| 4.5        | vent terminal clearances                                     | 19        | 10.3.5      | exhaust blower cleaning                             | 41        |
| 4.5.1      | horizontal exhaust through wall installation                 | 20        | 10.3.6      | seal checks   | 41        |
| 4.5.2      | through the wall with vertical rise / horizontal termination | 20        | 10.3.7      | vent cleaning                                       | 42        |
| 4.5.3      | minimum inside vertical clearances                           | 21        | 10.4        | in the event of a jammed auger                      | 42        |
| 4.5.4      | class A chimney retrofit                                     | 21        | <b>11.0</b> | <b>replacements</b>                                 | <b>43</b> |
| 4.5.5      | hearth mount installation                                    | 22        | 11.1        | common replacements                                 | 44        |
| 4.6        | insert venting installation examples                         | 23        | 11.2        | NPS45 replacements                                  | 45        |
| 4.6.1      | typical existing masonry installation                        | 23        | 11.3        | NPI45 replacements                                  | 46        |
| 4.6.2      | factory built appliance                                      | 24        | <b>12.0</b> | <b>accessories</b>                                  | <b>47</b> |
| <b>5.0</b> | <b>framing (insert only)</b>                                 | <b>25</b> | 12.1        | common accessories                                  | 47        |
| 5.1        | installation into a combustible enclosure                    | 26        | 12.2        | NPS45 / NPI45 accessories                           | 48        |
| 5.2        | minimum enclosure clearances                                 | 27        | <b>13.0</b> | <b>troubleshooting</b>                              | <b>49</b> |
| 5.3        | minimum clearance to combustibles                            | 27        | <b>14.0</b> | <b>warranty</b>                                     | <b>52</b> |
| 5.4        | minimum mantel clearances                                    | 28        | <b>15.0</b> | <b>service history</b>                              | <b>53</b> |
| 5.5        | rear to top vent conversion instructions                     | 29        |             |   |           |

**NOTE:** Changes, other than editorial, are denoted by a vertical line in the margin.

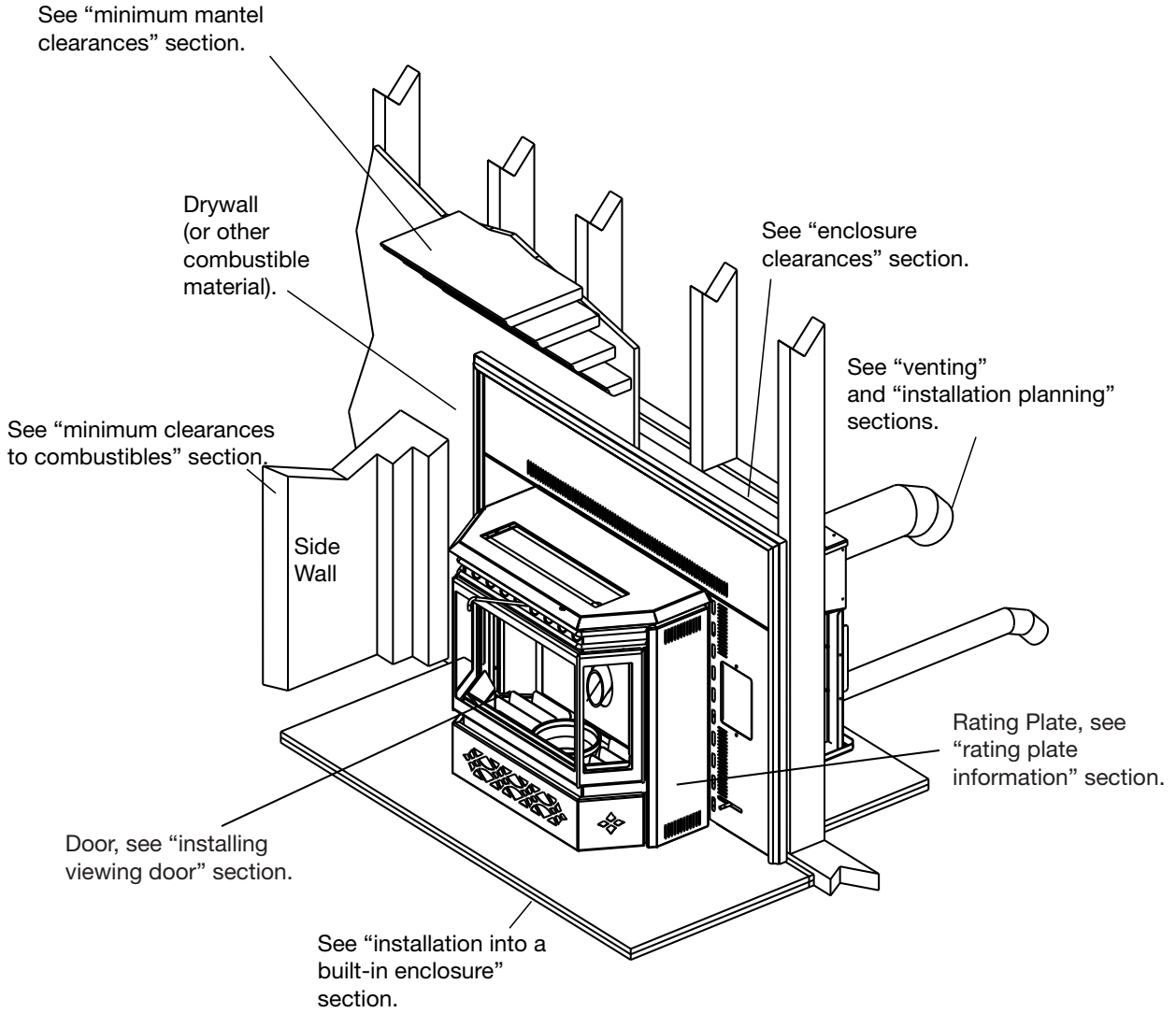
# 1.0 installation overview

## 1.1 stove



**⚠ WARNING:** This product can expose you to chemicals including lead and lead compounds, which are known to the State of California to cause cancer, and chemicals including carbon monoxide, which are known to the State of California to cause birth defects or other reproductive harm. For more information, go to [www.P65Warnings.ca.gov](http://www.P65Warnings.ca.gov).

1.2 insert





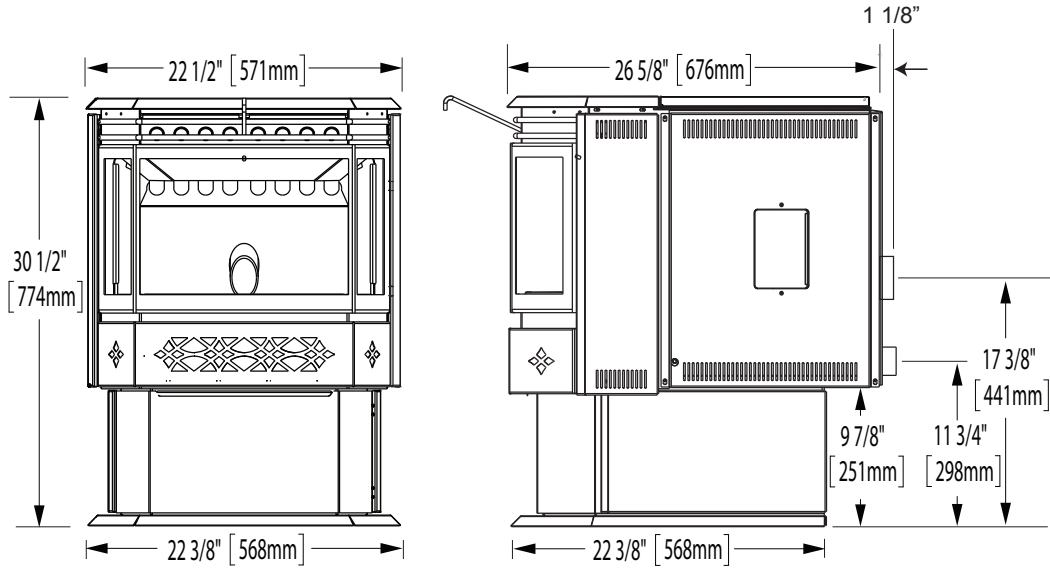
## ! WARNING

- **THIS APPLIANCE IS HOT WHEN OPERATED AND CAN CAUSE SEVERE BURNS IF CONTACTED.**
- Do not operate appliance before reading and understanding operating instructions. Failure to operate appliance according to operating instructions could cause fire or injury. Contact the local building or fire authority and follow their guidelines. Notify your insurance company of this appliance as well.
- Never try to repair or replace any part of the appliance unless instructions are given in this manual. All other work should be done by a trained technician.
- Risk of burns. The appliance should be turned off and cooled before servicing.
- Do not operate without fully assembling all components.
- Do not install damaged, incomplete or substitute components.
- Risk of cuts and abrasions. Wear protective gloves and safety glasses during installation. Sheet metal edges may be sharp.
- Children and adults should be alerted to the hazards of high surface temperature and should stay away to avoid burns or clothing ignition. Toddlers, young children and others may be susceptible to accidental contact burns. A physical barrier is recommended if there are at risk individuals in the house. To restrict access to an appliance or stove, install an adjustable safety gate to keep toddlers, young children and other at risk individuals out of the room and away from hot surfaces.
- Clothing or other flammable material should not be placed on or near the appliance.
- Due to high temperatures, the appliance should be located out of traffic and away from furniture and draperies.
- Ensure you have incorporated adequate safety measure to protect infants/toddlers from touching hot surfaces.
- Even after the appliance is out, the glass and/or screen will remain hot for an extended period of time.
- Check with your local hearth specialty dealer for safety screens and hearth guards to protect children from hot surfaces. These screens and guards must be fastened to the floor.
- Any safety screen or guard removed for servicing must be replaced prior to operating the appliance.
- It is imperative that the control compartments, burners and circulating blower and its passageway in the appliance and venting system are kept clean. The appliance and its venting system should be inspected before use and at least annually by a qualified service person. More frequent cleaning may be required due to excessive lint from carpeting, bedding material, etc. The appliance area must be kept clear and free from combustible materials, gasoline and other flammable vapors and liquids.
- Under no circumstances should this appliance be modified.
- Do not use this appliance if any part has been under water. Immediately call a qualified service technician to inspect the appliance and to replace any part of the control system which has been under water.
- Do not operate the appliance with the glass door removed, cracked or broken. Replacement of the glass should be done by a licensed or qualified service person. The viewing door and ashpan must be closed and latched during operation.
- Do not strike or slam shut the appliance glass door.
- Only doors / optional fronts certified with the unit are to be installed on the appliance.
- Keep the packaging material out of reach of children and dispose of the material in a safe manner. As with all plastic bags, these are not toys and should be kept away from children and infants.
- If the appliance is not properly installed, a house fire may result. Do not expose the appliance to the elements (ex. rain, etc.) and keep the appliance dry at all times. Wet insulation will produce an odour when the appliance is used.
- The chimney must be sound and free of cracks. Clean your chimney a minimum of twice a year and as required.
- The heater is designed and approved for pelletized wood fuel only. Any other type of fuel burned in this heater will void the warranty and safety listing. Do not burn trash or garbage, lawn clippings / waste, rubber, waste petroleum products, paints or paint thinners / solvents, plastic, materials containing asbestos, construction debris, railroad ties or treated wood, manure or animal remains, salt water driftwood or salted materials, unseasoned wood, coloured paper, cardboard, plywood or particleboard.
- Do not start a fire with chemicals or fluids such as gasoline, engine oil, etc.
- Ashes must be disposed in a metal container with a tight lid and placed on a non-combustible surface well away from the home or structure.
- Your appliance requires periodic maintenance and cleaning. Failure to maintain your appliance may lead to smoke spillage in your home.
- The exhaust system must be completely straight and properly installed. It is recommended that the pellet vent joints be sealed with a minimum 500°F (260°C) silicone sealant. Install according to the vent manufacturer's instructions.
- Ensure clearances to combustibles are maintained when building a mantel or shelves above the appliance. Elevated temperatures on the wall or in the air above the appliance can cause melting, discolouration or damage to decorations, a T.V. or other electronic components.
- During a power outage this appliance will not operate. If a power outage does occur, check the appliance for smoke spillage and open a window if any smoke spills into the room.
- Keep foreign objects out of the hopper.
- Disconnect the power cord before performing any maintenance. **NOTE: Turning the appliance to "OFF" does not disconnect all power to the heater.**
- Do not throw this manual away. This manual has important operating and maintenance instructions that you will need at a later time. Always follow the instructions in this manual.
- At no point should you use firewood or firelogs in this appliance. The use of which could cause a house fire.
- This appliance must be connected to a standard 115 V, 60Hz grounded electrical outlet. Do not use an adapter plug or sever the grounding prong. Do not route the electrical cord underneath, in front of, or over the appliance.
- When installed in a mobile home, the appliance must be bolted to the floor, have outside air, and **NOT BE INSTALLED IN THE BEDROOM** (per H.U.D. requirements). Check with local building officials.
- The exhaust system should be checked and cleaned once a year minimum for any build-up of soot or creosote.
- This heater becomes very hot, you **MUST** wear heat resistant gloves when cleaning or handling this heater.

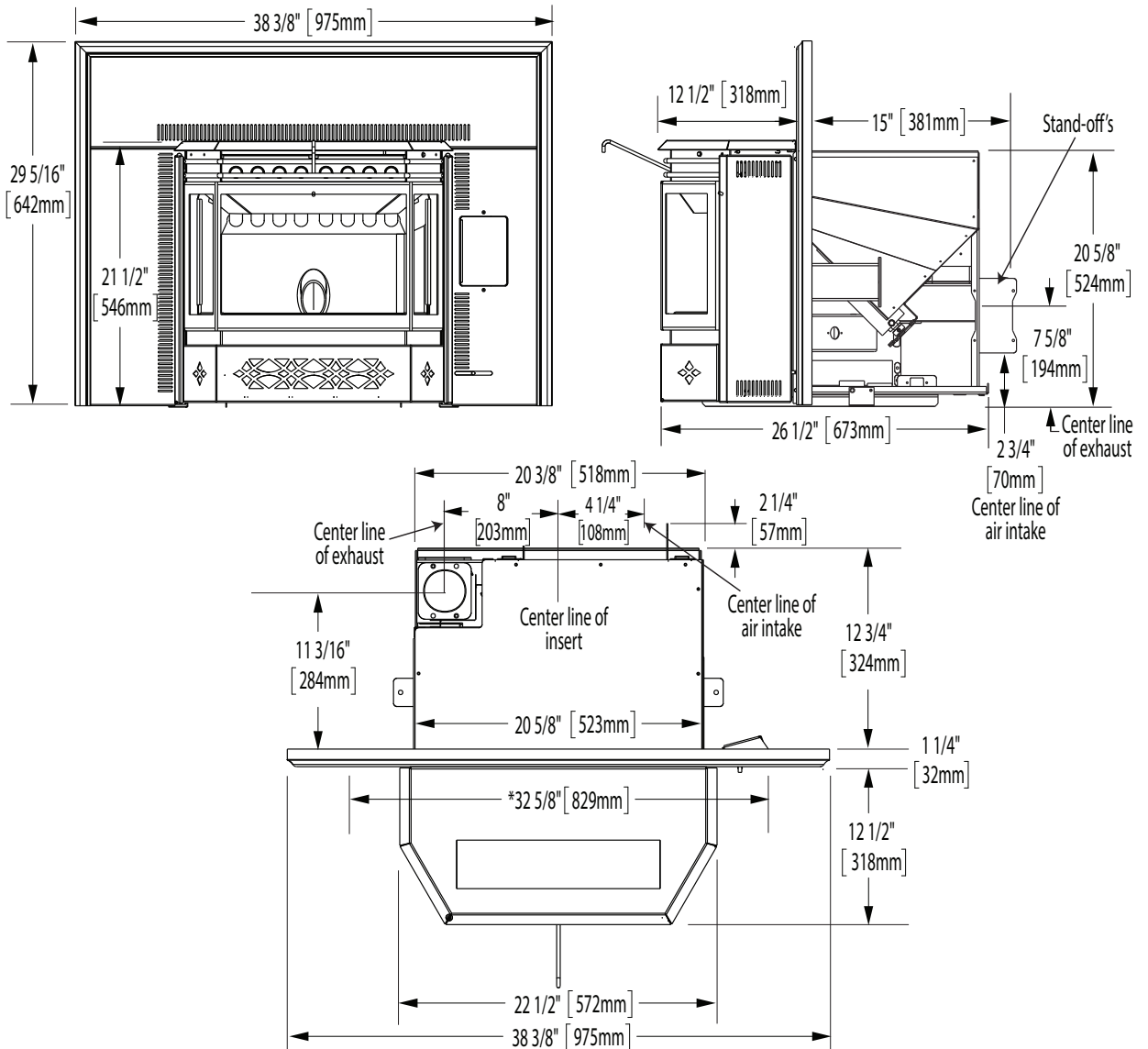
2.1 dimensions

2.1.1 stove

EN

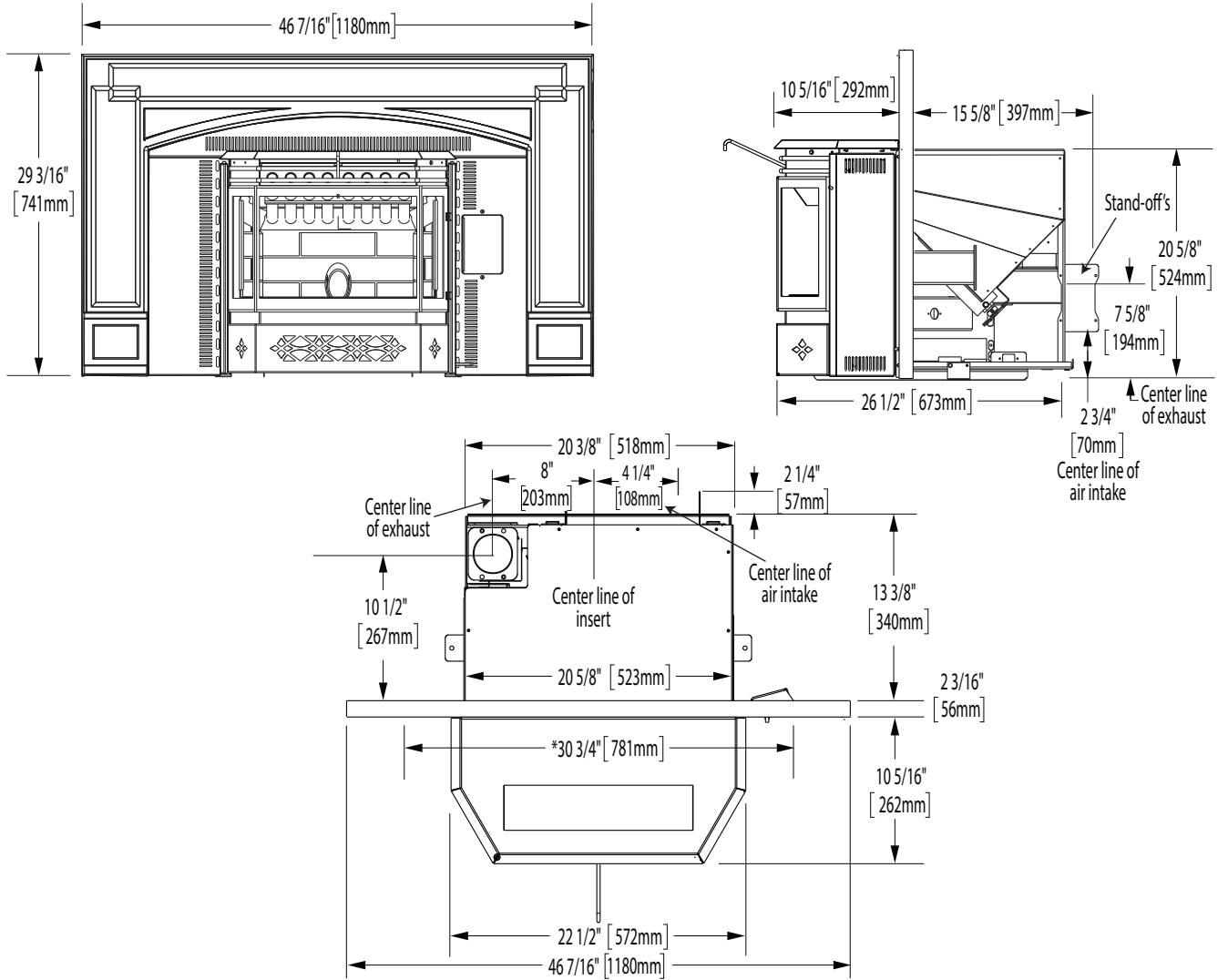


2.1.2 NPI45 complete with NI800 flashing



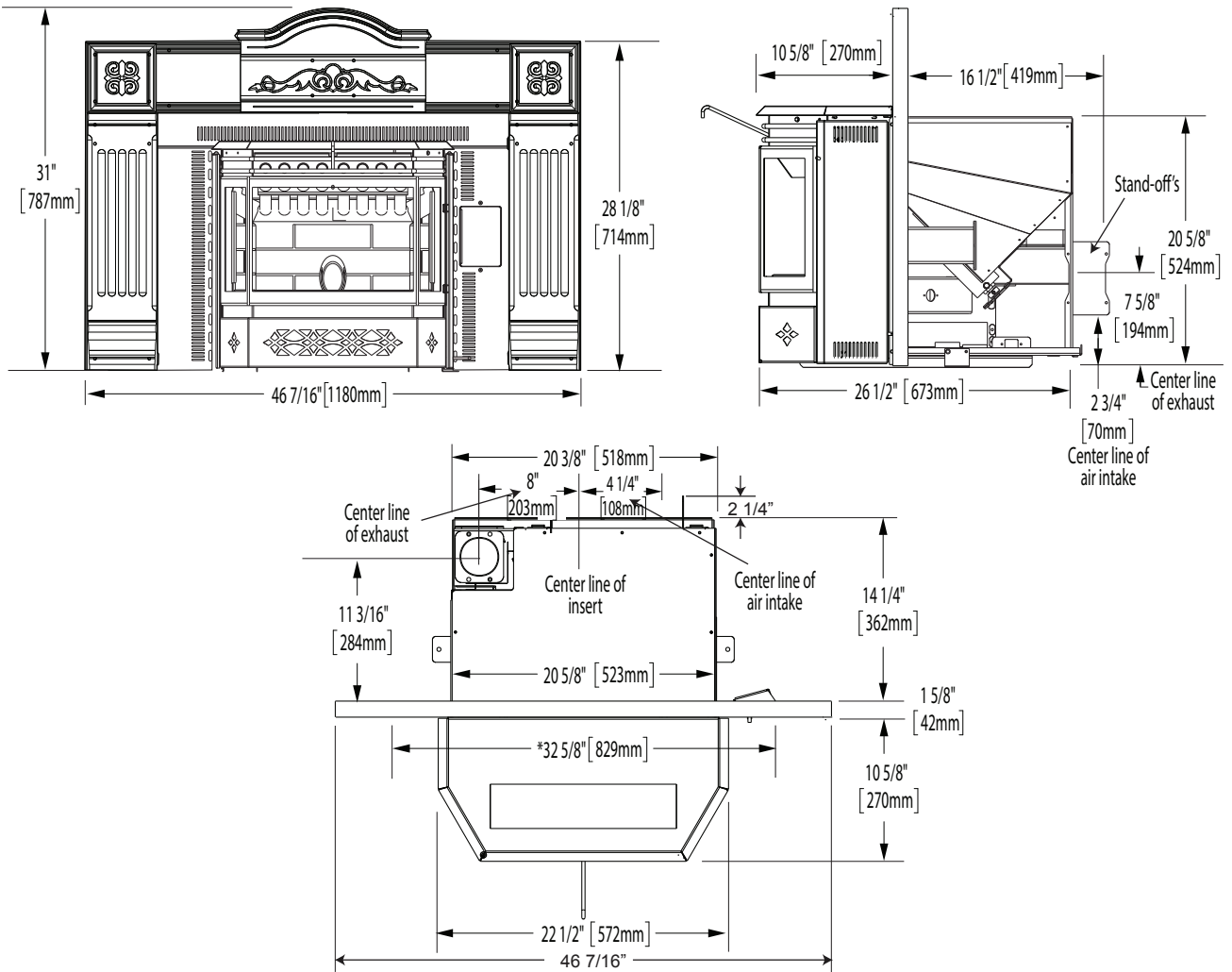
\*In order to install flashing flush to a finished wall and centered within the opening, the front opening of the fireplace or enclosure must be this wide.

2.1.3 NPI45 complete with AK8 adapter and GICSK flashing



\*In order to install flashing flush to a finished wall and centered within the opening, the front opening of the fireplace or enclosure must be this wide.

2.1.4 NPI45 complete with AK9 adapter and CISK flashing



\*In order to install flashing flush to a finished wall and centered within the opening, the front opening of the fireplace or enclosure must be this wide.

## 2.2 specifications

|                                |  |
|--------------------------------|--|
| Electrical Rating              | 115 Volts, 3.6 Amps, 60Hz  |
| Watts During Start-Up Sequence | 400 (approximately)  |
| Watts During Operation         | 180 (approximately)  |
| NPS45 Width                    | 22 3/8" (568mm)  |
| NPS45 Height                   | 30 1/2" (775mm)  |
| NPS45 Depth                    | 26 5/8" (676mm)  |
| Weight                         | 210 Pounds (95kg)  |
| Exhaust Collar                 | 3" (76mm)  |
| Intake Collar                  | 2" (51mm)  |
| NPS45 Hopper Capacity          | 55 Pounds (25kg)   |
| NPI45 Hopper Capacity          | 45 Pounds (20kg)   |
| Minimum Appliance Opening Size | Front: 32 5/8" (829mm)* W x 20 5/8" (532mm) H x 14 1/4" (362mm) D<br>Back: 20 3/8" (518mm) W |

\* In order to install, flashing flush to finished wall and centered within the opening the front opening of the appliance or enclosure must be 32 5/8" (829mm) wide.

### 2.2.1 heating specifications

|  |   |
|--|---|
| Approximate Maximum Heating Capacity (in square feet)*   | 800 to 2000 Sq. Feet (243-610 Sq. Meters) |
| Burn Rate (Pounds per Hour)**  | 1.0 to 5.0                                |
| BTU/hr**   | 8500 to 42500                             |
| Maximum Burn Time on Low Burn**  | 55 Hours (NPS45), 45 Hours (NPI45)        |
| * Heating capacity will vary depending on the home's floor plan, degree of insulation, and the outside temperature. It is also affected by the fuel size, quality, and moisture level. |   |
| ** Small pellets will increase or decrease the stated burn rates and burn times. Differences of plus or minus 20% depending on fuel quality may occur.                                 |   |

## 2.3 general instructions

|   |
|---|
| <b>! WARNING</b>  |
| <b>ALL WIRING SHOULD BE DONE BY A QUALIFIED ELECTRICIAN AND SHALL BE IN COMPLIANCE WITH LOCAL CODES. IN THE ABSENCE OF LOCAL CODES, USE THE CURRENT CSA C22.1 CANADIAN ELECTRIC CODE (IN CANADA) OR THE ANSI/NFPA NO. 70 NATIONAL ELECTRIC CODE IN THE UNITED STATES.</b> |
| <b>DO NOT CONNECT THIS APPLIANCE TO A CHIMNEY FLUE SERVING ANOTHER APPLIANCE. DO NOT CONNECT TO ANY AIR DISTRIBUTION DUCT OR SYSTEM.</b>  |
| <b>PROVIDE ADEQUATE CLEARANCE FOR SERVICING AND OPERATING THE APPLIANCE.</b>  |
| <b>PROVIDE ADEQUATE VENTILATION.</b>  |
| <b>NEVER OBSTRUCT THE FRONT OPENING OF THE APPLIANCE.</b>   |
| <b>OBJECTS PLACED IN FRONT OF THE APPLIANCE MUST BE KEPT A MINIMUM OF 48" (121.9cm) FROM THE FRONT FACE OF THE APPLIANCE.</b>   |

Thank you for purchasing a Wolf Steel Ltd. Pellet Appliance. This appliance is designed for use with Pelletized Wood Only.

Please read this entire manual before installation and use of this pellet fuel-burning room appliance. Failure to follow these instructions could result in property damage, bodily injury or even death.

Keep this manual handy for future reference.

This Pellet Appliance, when installed, must be electrically grounded in accordance with the local codes, or in the absence of local codes, use the current CSA C22.1 Canadian Electrical Code in Canada or the ANSI/NFPA 70 National Electrical Code in the United States.

This appliance will not operate using natural draft or without a power source for the blower systems and fuel feed system.

These appliances are equipped with levelling screws that penetrate the front corners of the firebox. If these screws are missing it will have a negative influence on the performance of this appliance. Ensure that the levelling screws are tightened into position.

The protective wrap on plated parts is best removed when the assembly is at room temperature but this can be improved if the assembly is warmed, using a hair dryer or similar heat source.

If the appliance is installed directly on carpeting, vinyl tile or other combustible material other than wood flooring, the appliance shall be installed on a metal or wood panel extending the full width and depth.

## 2.4 general information

### 2.4.1 pellet specifications

#### **WARNING**

**IT IS IMPORTANT TO SELECT AND USE ONLY PELLETS THAT ARE DRY AND FREE OF DIRT OR ANY IMPURITIES SUCH AS HIGH SALT CONTENT. DIRTY FUEL WILL ADVERSELY AFFECT THE OPERATION AND PERFORMANCE OF THE APPLIANCE AND WILL VOID THE WARRANTY. THE PELLETT FUEL INSTITUTE (P.F.I.) HAS ESTABLISHED STANDARDS FOR WOOD PELLETT MANUFACTURERS. WE RECOMMEND THE USE OF PELLETT THAT MEET OR EXCEED THESE STANDARDS. ASK YOUR DEALER FOR A RECOMMENDED PELLETT TYPE.**

Pellet quality is important, please read the following:

Your Wolf Steel Ltd. Pellet Appliance has been designed to burn premium hard or soft wood pellets only. Do not use any other type of fuel such as fire logs or fire starting pellets, as this will void the warranties stated in this manual.

The performance and heat output of the pellet appliance is directly related to the quality and moisture of the pellets. Store pellets in a cool dry area to prevent moisture absorption.

**P.F.I. PELLET STANDARDS:**

|                                  |  |
|----------------------------------|--|
| Inorganic Fines (fine particles) | 1% maximum through a 1/8" (3.2mm) screen                                       |
| Bulk Density                     | 38 pound per cubic foot minimum / 17kg per cubic meter                         |
| Size                             | 1/4" (6.4mm) to 5/16" (8mm) diameter, 1/2" - 1 1/2" (13mm - 38mm) long maximum |
| Ash Content                      | No more than 2%  |
| Moisture Content                 | 8% maximum   |
| Chlorides                        | 300 parts per million by weight  |
| Trace Metals                     | Less than 100mg/kg   |
| Heat Content                     | Approximately 8200 BTU per pound minimum                                       |
| Construction Waste               | Not to contain any waste materials   |

**NOTE:** If the fuel does not comply to this standard, the appliance may not operate as designed.

We recommend the use of premium grade fuel (1% ash content) for longer appliance life and less frequent cleaning.

## 2.4.2 safety features

**HIGH LIMIT SWITCH:** Your appliance is equipped with a high limit switch. In the event that the temperature of the appliance approaches an unsafe operating temperature, this switch will shut down the pellet feed, which will eventually shut down the appliance. If this happens, it is important to find out why the appliance overheated. Contact your local dealer.


**LOW LIMIT SWITCH:** This switch will automatically shut down the appliance if the fire goes out or fails to light within 15 minutes.

**HOPPER DOOR INTERLOCK:** Your appliance is equipped with a micro switch in the hopper assembly that shuts off the auger when the hopper door is opened. Closing the door switches the auger back on, allowing pellets to feed again.

**VACUUM SWITCH:** This switch will sense lack of air flow through the appliance and shut down the pellet feed. This lack of flow could be caused by a blocked vent.


**POWER FAILURE:** In the event of a power failure, the appliance will shut down. Once power is restored, the appliance will restart, unless the convection air temperature has gone above the high limit switch setting. If this happens, contact your local dealer.

## 2.4.3 EPA compliance



**NATIONAL  
FIREPLACE  
INSTITUTE**  
**NFI**  
**CERTIFIED**  
[www.nficertified.org](http://www.nficertified.org)

We suggest that our woodburning hearth products be installed and serviced by professionals who are certified in the U.S. by the National Fireplace Institute® (NFI) as NFI Woodburning Specialists or who are certified in Canada by Wood Energy Technical Training (WETT).




**Wood Energy  
Technical Training**  
[www.wettinc.ca](http://www.wettinc.ca)



2.5 rating plate information

EN



**9700539 (WSL)**  
**4001657 (NGZ)**  
**4001658 (NAC)**  
**4001659 (WUSA)**

**Intertek**

- INSTALL AND USE ONLY IN ACCORDANCE WITH THE MANUFACTURER'S INSTRUCTIONS AND LOCAL BUILDING CODES. MINIMUM CEILING HEIGHT: 7FT (2.13M) HEARTH EXTENSION / COMBUSTIBLE FLOOR PROTECTION: IF INSTALLED ON A COMBUSTIBLE FLOOR, APPLIANCE MUST BE PLACED ON A NON-COMBUSTIBLE FLOOR PROTECTOR EXTENDING 6" IN FRONT.
- DO NOT CONNECT THIS APPLIANCE TO A CHIMNEY FLUE SERVING ANOTHER APPLIANCE.
- REPLACE GLASS WITH ONLY CERAMIC GLASS. DANGER: RISK OF ELECTRICAL SHOCK. DISCONNECT POWER BEFORE SERVICING APPLIANCE.
- KEEP VIEWING DOOR TIGHTLY CLOSED DURING OPERATION.
- CONTACT LOCAL BUILDING AND FIRE OFFICIALS ABOUT RESTRICTIONS AND INSTALLATION INSPECTION IN YOUR LOCAL AREA.
- SUITABLE FOR USE IN MOBILE HOMES WHEN USED WITH OUTSIDE AIR INSTALLATION KIT.
- REFER TO INSTALLATION INSTRUCTIONS OR LOCAL BUILDING CODES WHEN PASSING EXHAUST SYSTEM THROUGH COMBUSTIBLE WALL OR CEILING.

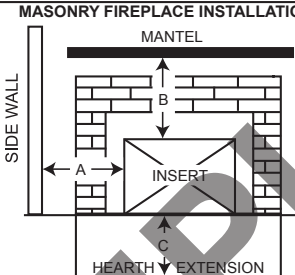
**CAUTION:** HOT WHILE IN OPERATION. DO NOT TOUCH. KEEP CHILDREN, CLOTHING AND FURNITURE AWAY. CONTACT MAY CAUSE SKIN BURNS.

THIS WOOD APPLIANCE NEEDS PERIOD INSPECTION AND REPAIR FOR PROPER OPERATION. CONSULT THE OWNER'S MANUAL FOR FURTHER INFORMATION. IT IS AGAINST UNITED STATES FEDERAL REGULATIONS TO OPERATE THIS WOOD APPLIANCE IN A MANNER INCONSISTENT WITH THE OPERATING INSTRUCTIONS IN THE OWNER'S MANUAL.

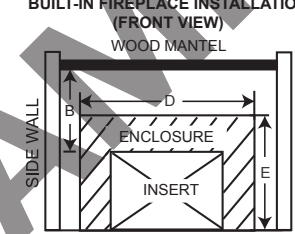
**WOLF STEEL LTD.**  
 24 NAPOLEON ROAD.  
 BARRIE, ONTARIO L4M 0G8 CANADA

LISTED PELLET FUEL BURNING ROOM HEATER TESTED TO: ASTM E 1509, UL1482, ULC S628 MODEL NPI45

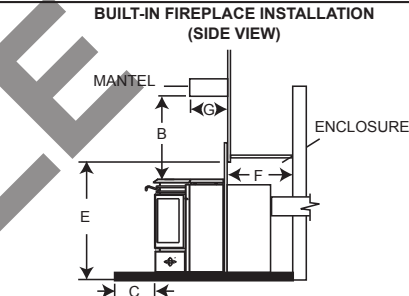
**MASONRY FIREPLACE INSTALLATION**



**BUILT-IN FIREPLACE INSTALLATION (FRONT VIEW)**



**BUILT-IN FIREPLACE INSTALLATION (SIDE VIEW)**



| MINIMUM CLEARANCES TO COMBUSTIBLE |   |         |
|-----------------------------------|---|---------|
| Sidewall                          | A | 8"      |
| Mantel                            | B | 8"      |
| Floor Protector                   | C | 6"      |
| Recess Width                      | D | 31 1/2" |
| Recess Height                     | E | 26 1/2" |
| Recess Depth                      | F | 16"     |
| Mantel Depth                      | G | 10"     |

| INPUT RATING |         |
|--------------|---------|
| MIN          | 1 LB/HR |
| MAX          | 5 LB/HR |

| ELECTRICAL RATING |           |
|-------------------|-----------|
| 120V              | 3.6A 60HZ |

MANUFACTURE DATE: / DATE DE FABRICATION:

YEAR:  2016  2017  2018  2019  2020

MONTH:  1  2  3  4  5  6  7  8  9  10  11  12

**U.S. ENVIRONMENTAL PROTECTION AGENCY** Certified to comply with 2015 particulate emissions standards. Not approved for sale after May 15, 2020. 40 CFR Part 60, Subpart AAA. 2.4g/hr

NPI45

For rating plate location, see "installation overview" section.

This illustration is for reference only. Refer to the rating plate on the appliance for accurate information.

**NOTE:** The rating plate must remain with the appliance at all times. It must not be removed.

W415-1472 / C / 08.01.18

## 3.0 installation planning

### WARNING

**READ ENTIRE MANUAL BEFORE YOU INSTALL OR USE THIS APPLIANCE. FAILURE TO FOLLOW THE INSTRUCTIONS MAY RESULT IN PROPERTY DAMAGE, BODILY INJURY OR EVEN DEATH.**

**USE ONLY WOLF STEEL APPROVED OPTIONAL ACCESSORIES AND REPLACEMENT PARTS WITH THIS APPLIANCE. USING NON-LISTED ACCESSORIES AND REPLACEMENT PARTS (BLOWERS, DOORS, LOUVRES, TRIMS, GAS COMPONENTS, VENT COMPONENTS, ETC.) COULD RESULT IN A SAFETY HAZARD AND WILL VOID THE LIMITED LIFETIME WARRANTY.**

Check with local building officials for any permits required for installation of this pellet appliance and notify your insurance company before proceeding with installation.

Before installing we recommend placing the appliance outside and load 5 lbs (2.3k) of pellets inside the hopper. Plug the appliance in and let it run on HIGH until the pellets run out. This will cure the paint and burn off most of the oils on the steel, thereby minimizing any smell inside the home.

### 3.1 appliance placement

Have an authorized dealer install the appliance. If you install the appliance yourself, have your dealer review your installation plans and/or installation.

Draw out a detailed plan of the installation including dimensions and verify the dimensions with the requirements listed in this manual.

You may wish to adjust the appliance position slightly to ensure the vent does not intersect with a framing member. Appliance must be positioned so that no combustibles are within, or can swing within (e.g. drapes, doors), 4 feet (1.2m) of the front of the appliance.

### 3.2 installation options

#### **NPS45:**

To install in a Residential or Mobile Home, see "mobile home installation" section. For alcove installations, see "alcove installation requirements" section. For horizontal vent or vertical vent, see "venting" section. For outside air, see "outside air" section.

#### **NPI45:**

To install as an insert into an existing masonry appliance or factory built appliance, see "venting" section. To install into a combustible enclosure, see "installation into a combustible enclosure" section.

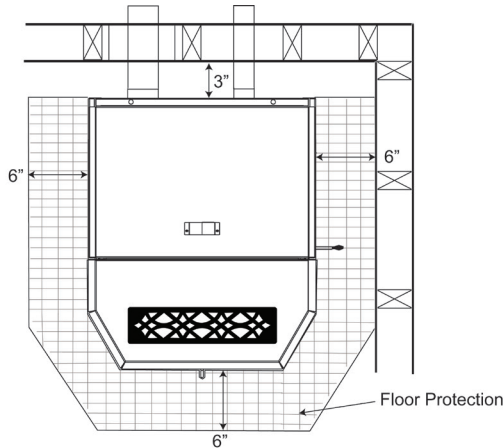
### 3.3 stove minimum clearance to combustibles

## ! WARNING

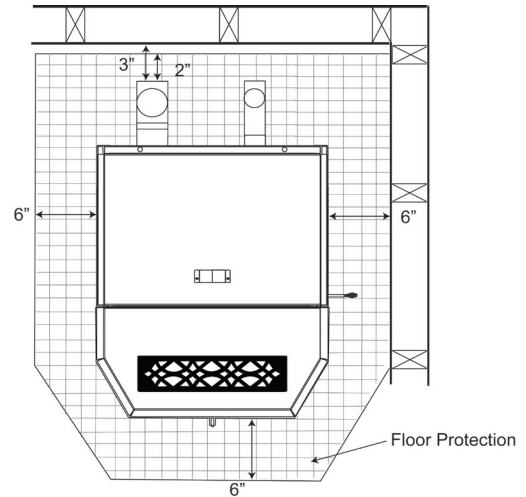
DO NOT INSTALL INTO ANY AREA HAVING LESS THAN 48" (1219mm) (CEILING TO APPLIANCE BOTTOM, EXCLUDING HEARTH HEIGHT).

#### 3.3.1 straight installation

Through the Wall Installations Complete with Outside Air

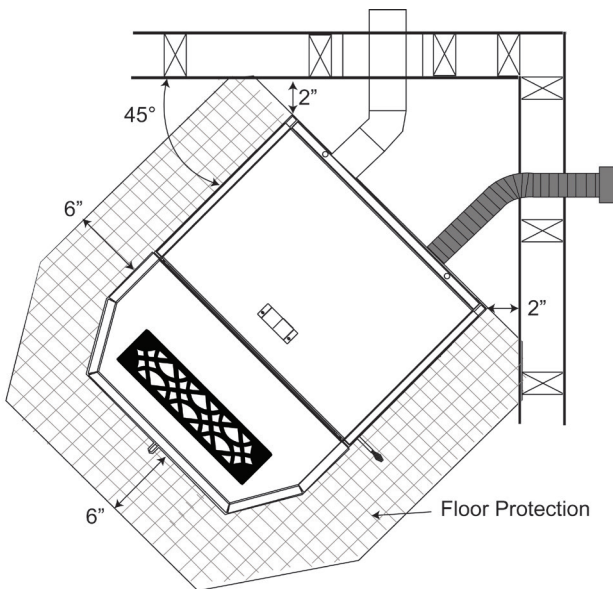


Interior Vertical Vents

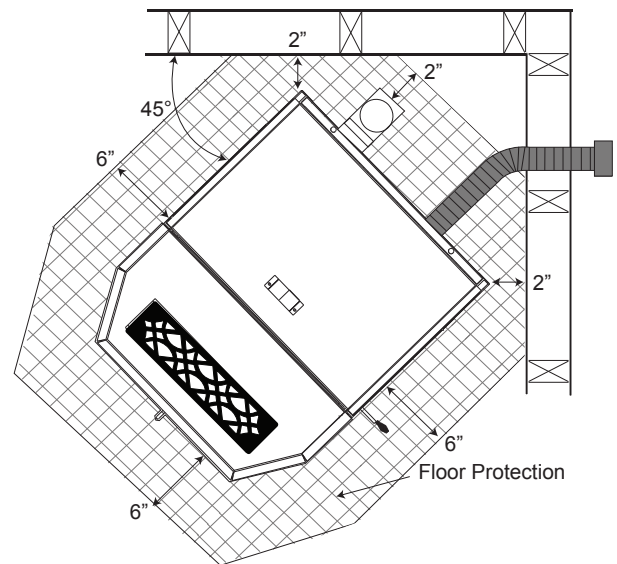


#### 3.3.2 corner installation

Through the Wall Vents Complete with Outside Air

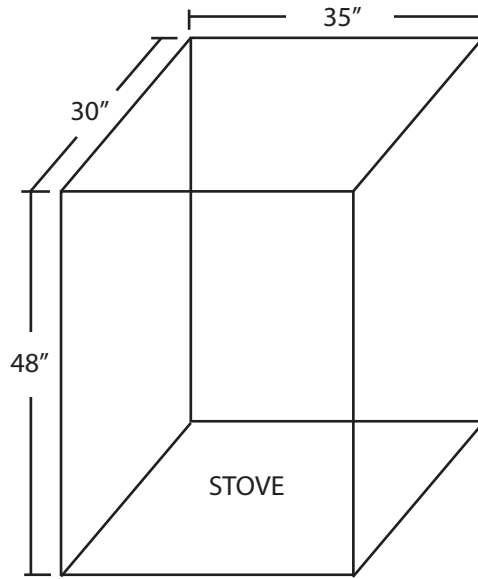


Interior Vertical Vents



**NOTE:** If interior vertical pellet vent is used, the clearance to the back wall is determined by the upward-turning elbow or "Tee". It will vary in depth depending on the brand of pellet vent used (it is approximately 5" (127mm)). Before placing the appliance, connect the elbow or "Tee" and allow for the minimum 3" (76mm) clearance to the combustible wall.

### 3.3.3 alcove installation requirements (minimum)



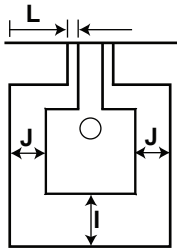
**Minimum Alcove Dimensions**

### 3.4 floor protection requirements installation

#### **THERMAL PROTECTOR:**

This appliance must be installed on a non-combustible thermal protector that extends to the front, sides and back of the appliance as per the minimum requirements below.

**NOTE:** Floor protection is required for spark and ash shielding, and for limiting floor temperatures from the radiant heat of the appliance.



| MINIMUM FLOOR PROTECTION |            |           |
|--------------------------|------------|-----------|
| FRONT (I)                | SIDES (J)  | VENT (L)  |
| 6" (152mm)               | 6" (152mm) | 2" (51mm) |

The thermal protector must have an overall R-Value of 1.0. For multiple layers, add R-Values for each layer to determine the overall R-Value.

#### **CONVERTING MATERIAL SPECIFICATIONS TO R OR K VALUES**

R = Thickness / K-Value  
 K = Thickness / R-Value

| COMMON K and R VALUES CHART  |          |          |
|------------------------------|----------|----------|
| MATERIAL                     | K-VALUE  | R-VALUE  |
|                              | Per inch | Per inch |
| Micore 300                   | 0.43     | 2.33     |
| Wonderboard (cement board)   | 1.92     | 0.52     |
| Common Brick                 | 5.00     | 0.20     |
| Cement Mortar                | 5.00     | 0.20     |
| Ceramic Tile                 | 12.50    | 0.08     |
| Marble                       | 11.00    | 0.09     |
| Air Space (ventilated)       | 0.70     | 1.43     |
| Sand and Gravel              | 1.70     | 0.59     |
| Drywall (gypsum)             | 1.00     | 1.00     |
| Rockwool or Fiberglass Batts | 0.30     | 3.33     |

With K values, the lower value is a better insulator. With R values, the higher number is better.

#### **K-Value Example:**

A wood stove may call for thermal protection which has a K factor of 1 or less. A product such as Micore 300 Board from USG has a K-Value of approximately .43 per inch. Therefore, a 1/2" (12.7mm) thickness of this board would have a K-Value of .86, which meets the requirement of our example stove.

#### **R-Value Example:**

This fireplace calls for thermal protection with an R-Value of 0.59. This same board above is rated as having an R-Value of 2.33 for a 1" (25.4mm) thickness. Therefore, 1/2" (12.7mm) of the Micore 300 Board would have a R-value of 1.165, which meets the specifications for this fireplace.

### 3.5 outside air

Available from your Authorized Dealer (114KT)

Outside air must not be drawn from an enclosed space (garage, unventilated crawl space).

**NOTE:** Wolf Steel Ltd. strongly suggests using outside air for all residential installations, especially for those that are energy efficient, air-tight homes.

Outside air supply must not be over 15' (4.5m) long.

Outside air vents must be made with 1 3/4" (44mm) diameter or larger metal or aluminum duct with a metal screen attached to the end to keep out rodents (P.V.C. or other materials may not be used).

The outside air inlet must not be above or within 12" (305mm) of the chimney termination, must have a rain cap or down-turned elbow to prevent the water from entering and be located so that it will not become plugged by snow or other material.

Outside air is required for all combustible built-in enclosure installations.

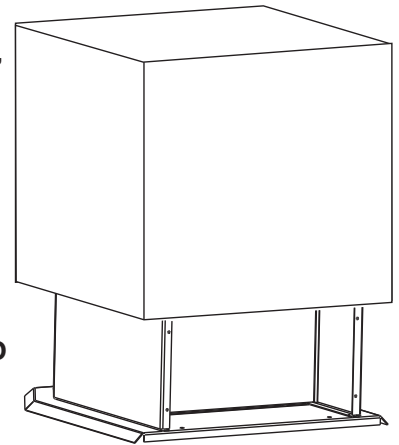
### 3.6 mobile home

|  |
|--|
|  <b>WARNING</b>           |
| <b>DO NOT INSTALL IN A SLEEPING ROOM.</b>  |
| <b>THE STRUCTURAL INTEGRITY OF THE MANUFACTURED HOME FLOOR, WALL, AND CEILING ROOF MUST BE MAINTAINED.</b> |

Installation into a manufactured home or mobile home should be installed in accordance with the Manufactured Home Construction and Safety Standard, Title 24 CFR, Part 3280, in the United States or the Mobile Home Standard, CAN/CSA Z240 MH Series, in Canada.

The appliance must be grounded to the steel chassis of the mobile home (Some states do not require this; check with your local building department).

**STOVE  
ILLUSTRATED**



## 4.0 venting

### 4.1 type of vent

Must be an approved 3" (76mm) or 4" (102mm) diameter Type "L" or "PL" vent, vented to the outside or connect the vent to a factory built type lined "A" chimney using an adaptor; and/or stainless steel chimney liner for masonry appliance installations. Use 4" (102mm) diameter vent if vent or liner height is over 15' (4.5m) or if installation is over 4,000' (1219m) above sea level.

### 4.2 installing the pellet vent

#### ! WARNING

**PELLET VENT MUST MAINTAIN A MINIMUM 3" (76.2mm) CLEARANCE TO ANY COMBUSTIBLE (INSTALL VENT AT CLEARANCES SPECIFIED BY THE VENT MANUFACTURER, CHIMNEY LINER EXCLUDED).**

**DO NOT CONNECT THE PELLET VENT TO A VENT OR CHIMNEY SERVING ANY OTHER APPLIANCE OR HEATER.**

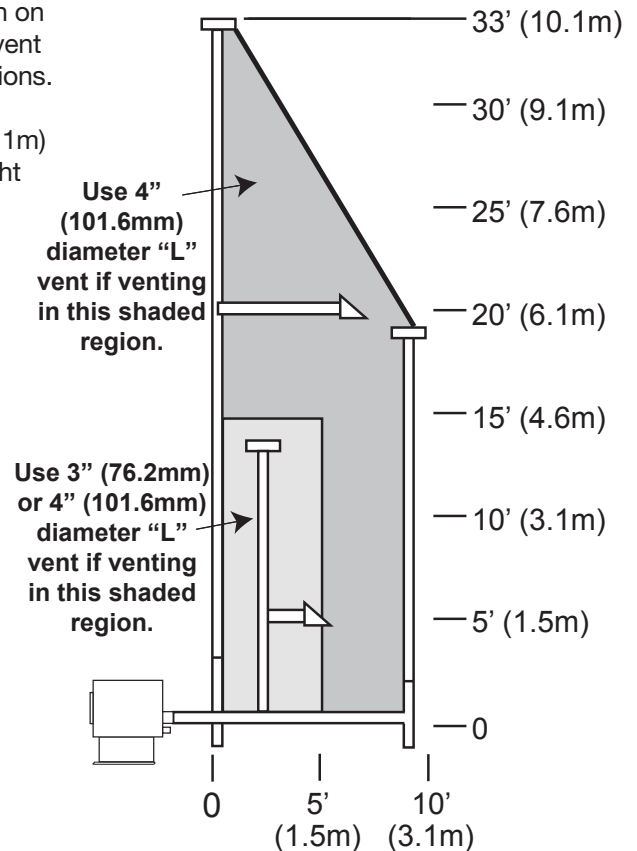
**DO NOT INSTALL A FLUE DAMPER IN THE EXHAUST VENTING SYSTEM OF THIS UNIT.**

The vent must have a support bracket every 5' (1.5m) when on the exterior wall. To achieve optimum performance, keep vent runs as short as possible, especially on horizontal installations.

**MAXIMUM VENTING:** Maximum venting height is 33' (10.1m) Maximum horizontal without vertical rise is 5' (1.5m) straight off the back of the appliance. Use no more than 180° of elbows (two 90° elbows, or two 45° elbows and one 90° elbow, etc), excluding the tee and the termination.

**VENT INSTALLATION:** Termination must exhaust above the air inlet elevation, and parallel or above the exhaust output of the pellet appliance. It is recommended that at least 3' (0.9m) of vertical pipe be installed to create some natural draft. This is to help prevent the possibility of smoke or odour entering the home during the appliance shut down or in the event of a power outage. Horizontal sections must have a 1/4" (6.4mm) rise every 12" (304.8mm) of travel if longer than 3' (0.9m).

The pellet vent connections must be sealed with HI-Temp RTV Silicone and screwed together with at least 3 3/8" (85.7mm) long stainless steel screws. Seal each vent section by injecting a liberal amount of 500°F (260°C) RTV silicone sealant into the gap. We recommend sealing the outside of the vent connections to permit easier access when servicing.



### 4.3 venting the pellet appliance

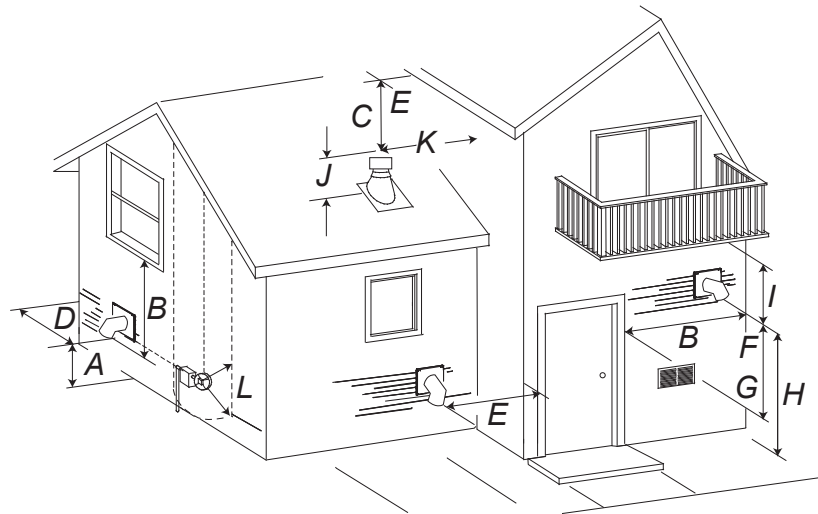
Use an approved wall thimble when passing the vent through walls and a ceiling support / firestop spacer when passing the vent through ceilings (maintain a 3" (76mm) clearance to any combustibles).



### 4.4 pellet vent termination

The vent termination must have an approved cap (to prevent water from entering) or a 45° downturn. If the termination is located on a windy side of the house, a shield is recommended to prevent soot from building up on the side of the house. Horizontal terminations must protrude 12" (305mm) from the wall, vertical terminations require a minimum 24" (610mm) above the highest point that it penetrates through the roof. Depending on pellet quality, vent configuration and air settings, black soot may occur on the terminal wall.

### 4.5 vent terminal clearances



| CLEARANCES |   |  |
|------------|---|--|
| A          | 12" (30.5cm)  | Clearance above grade, veranda porch, deck or balcony. (Including vegetation and mulch)  |
| B          | 9" (22.9cm)*  | Clearance beside or below any windows or doors that open.  |
|            | 12" (30.5cm)*   | Clearance above any window or door that opens.   |
| C          | 18" (45.7cm)  | Vertical clearance to ventilated soffit located above the terminal within a horizontal distance of 2 feet (0.6m) from the center line of the terminal. |
| D          | 0" (0mm)  | Clearance to an outside corner wall.   |
| E          | 3" (75mm)   | Clearance to an inside combustible corner wall or protruding combustible obstructions (vent chase, etc.)   |
| F          | 9" (22.9cm)   | Clearance to a non-mechanical air supply inlet to the building or a combustion air inlet to any other appliance.                                       |
| G          | 3' (0.9m)   | Clearance to a mechanical air supply inlet.  |
| H          | 7' (2.1m) **  | Clearance above a paved sidewalk or paved driveway located on public property.   |
| I          | 12" (30.5cm)**  | Clearance under a veranda, porch, deck or balcony.   |
| J          | 24" (61cm)  | Clearance above the roof.  |
| K          | 2' (0.6m)   | Clearance from an adjacent wall including neighbouring buildings.  |
| L          | 3' (0.9m) within a height of 15 feet (13.7m) above the meter / regulator assembly | Clearance to each side of center line extended above natural gas or propane meter / regulator assembly or mechanical vent.                             |

\* Recommended to prevent condensation on windows and thermal breakage

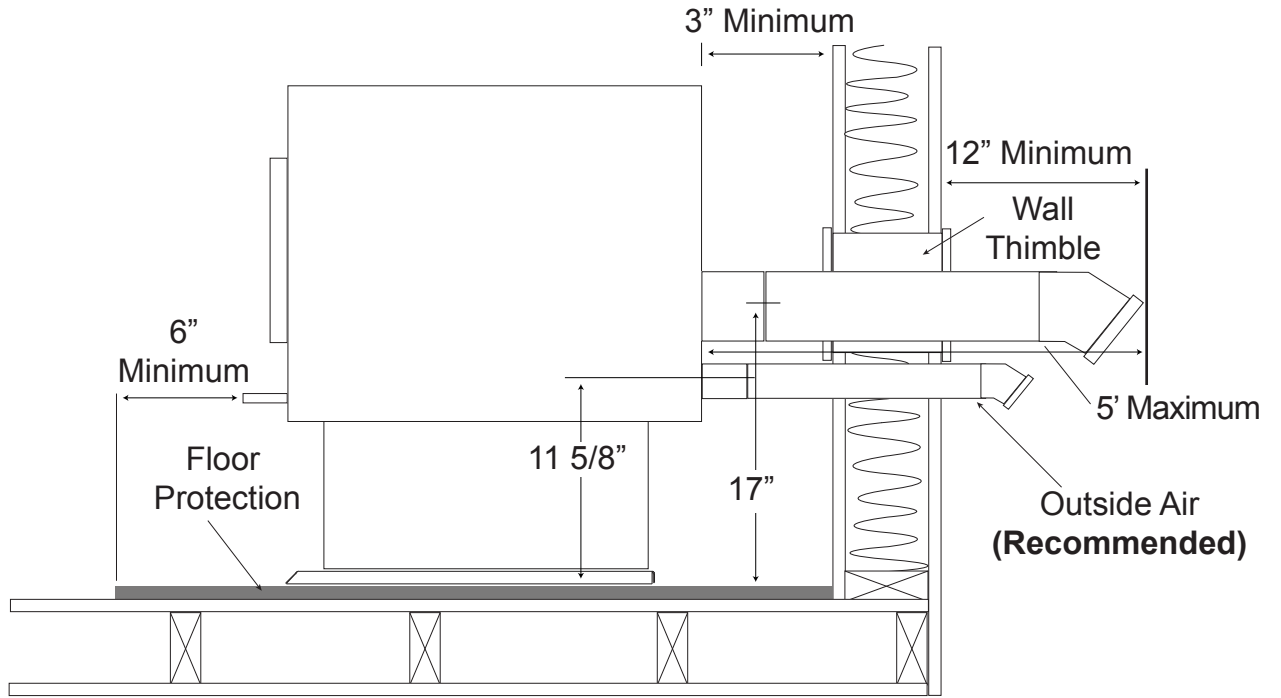
\*\* This is a recommended distance. For additional requirements check local codes.

**NOTE:** Wall terminals are for illustration purposes only. Size and shapes may vary.

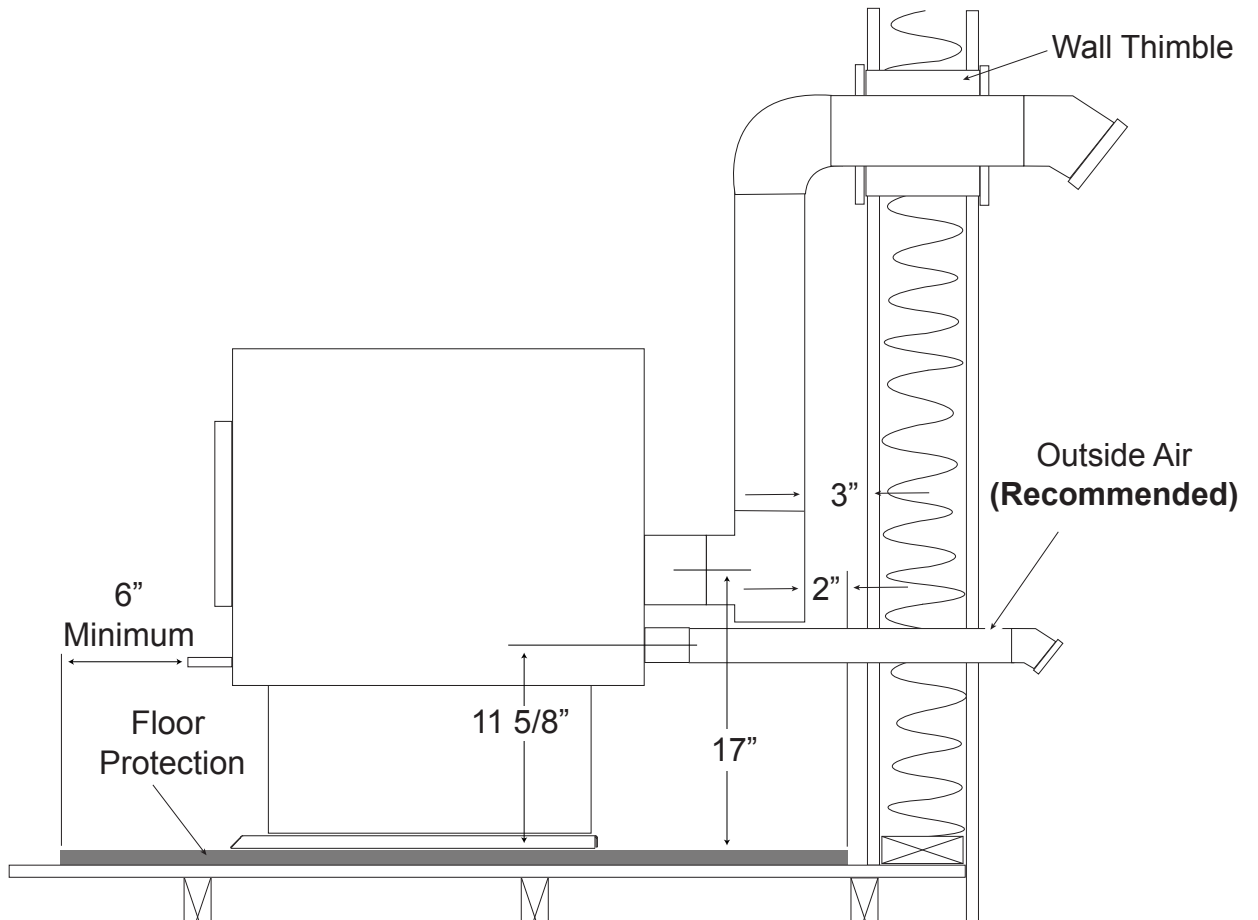
**NOTE:** Illustration dimensions are to the center of the exhaust exit point of the vent.

4.5.1 horizontal exhaust through wall installation

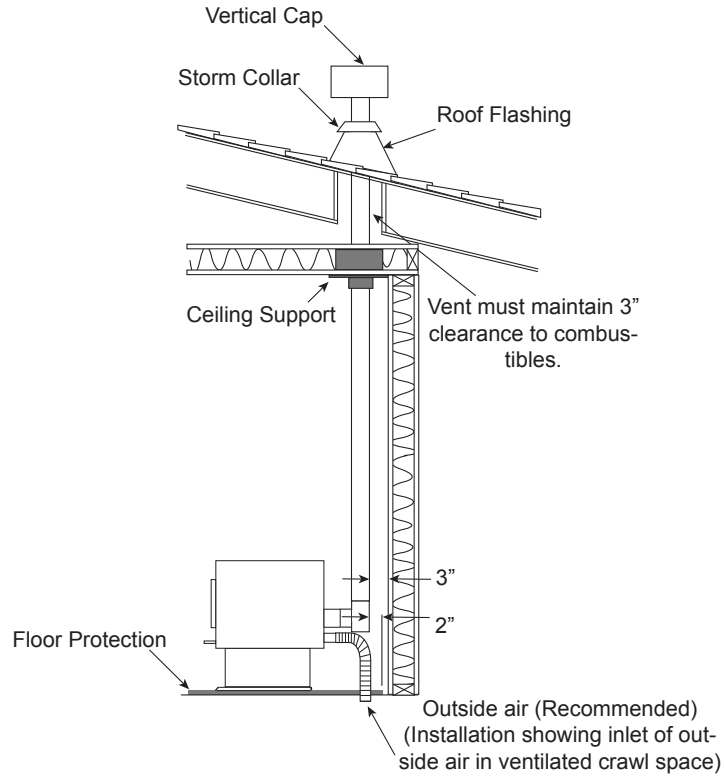
EN



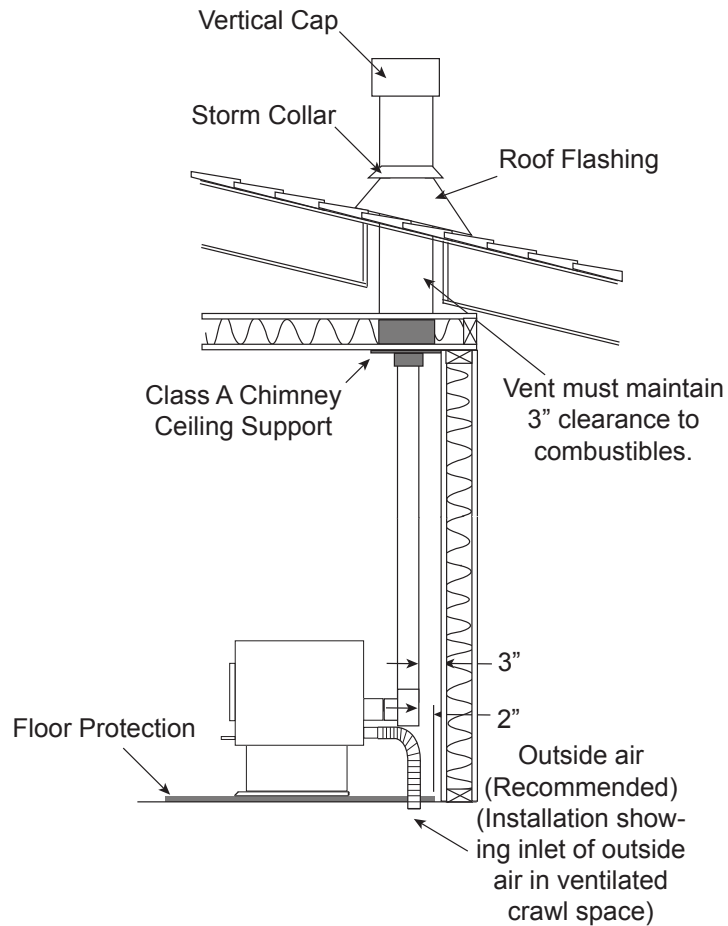
4.5.2 through the wall with vertical rise / horizontal termination



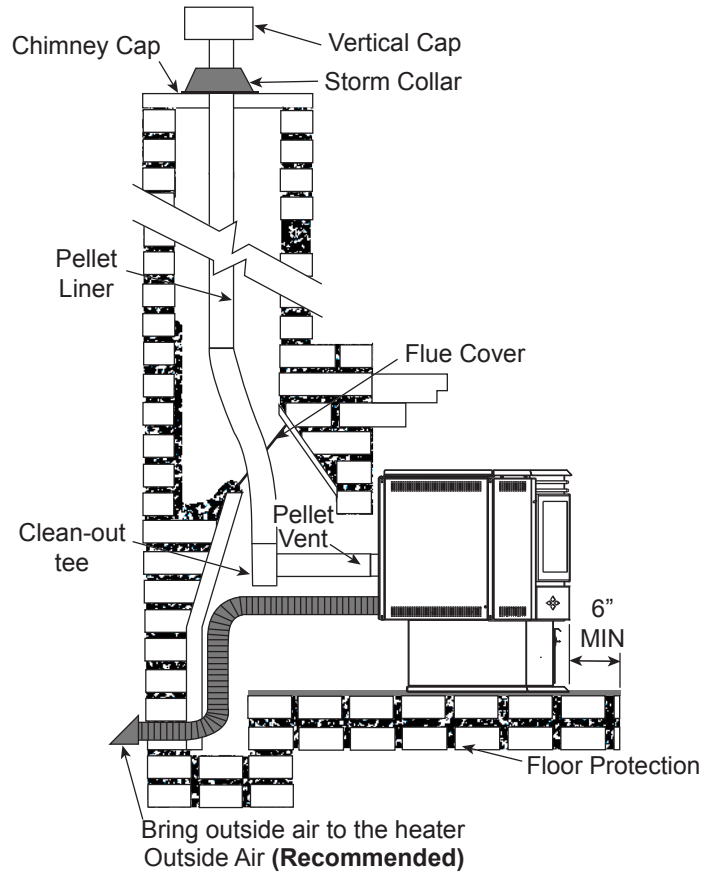
**4.5.3 minimum inside vertical clearances**



**4.5.4 class A chimney retrofit**



## 4.5.5 hearth mount installation



For installation instructions, see manufacturer's installation instructions and "typical existing masonry" section.

## 4.6 insert venting installation examples

### 4.6.1 typical existing masonry installation

# ! WARNING

**DO NOT REMOVE BRICKS OR MORTAR FROM THE FIREPLACE.**

#### Prior to installation:

When installing the insert into a masonry fireplace, do not remove any bricks or masonry. Do not weaken the structure, or reduce the protection for combustible materials to less than that required by the National Building Code. Bolted or screwed together pieces (smoke shelf / deflectors) may be removed, but must be able to be re-installed if the appliance is removed. External trim pieces, which do not affect the operation of the fireplace, may be removed provided they are available to be re-installed in event the appliance is removed.

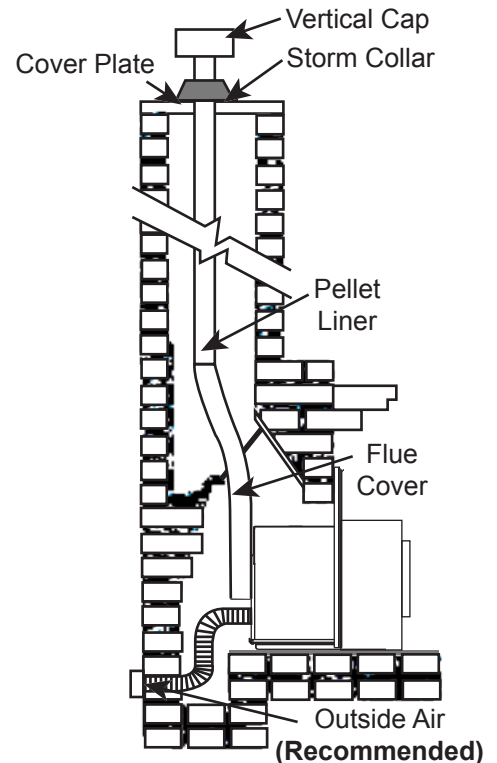
A warning label must be attached to the back wall of the fireplace stating that “This fireplace has been altered to accommodate a fireplace insert and must be re-inspected by a qualified person prior to re-use as a fireplace”.

Non-combustible floor protection must cover the flooring underneath, as well as extend a minimum of 6” (152.4mm) in front and to both sides of the appliance.

Clean all ashes out of the inside of the fireplace. Make sure that the chimney and fireplace are free of cracks, loose mortar, creosote deposits, blockage or other signs of deterioration.

If necessary, have any repair work done by a qualified professional before installing the appliance.

- A. Remove the fireplace damper or fasten it permanently open.
- B. Measure the throat of the fireplace and mark this shape on a piece of 24 (0.511mm) gauge sheet metal (flue cover). Cut a hole sized for the pellet liner to lie directly below the fireplace flue opening. Allow 2” (50.8mm) of material for a flange on all sides and cut to these measurements. Bend down the flanges. If you have never done this before, it might be a good idea to make a cardboard pattern and test it first. Fasten this flue cover in position as high as possible with two masonry screws per side through the flanges into the fireplace.
- C. If you plan on connecting outside air it is recommended to do so at this time.
- D. Install floor protection if necessary.
- E. Connect the pellet vent with a clean out tee to the back of the insert. Refer to manufacturer’s installation instructions to see “rear to top vent conversion instructions” section and the “general venting” section.
- F. Run a liner down the chimney and connect to tee.
- G. Position the insert in it’s final location.
- H. Pull the excess length of liner out through the top of the chimney. Trim the excess liner, install the cap and cap the chimney.



## 4.6.2 factory built appliance

### Prior to installation:

Do not weaken the structure or reduce the protection for combustible materials to less than that required by the National Building Code. Bolted or screwed together pieces (smoke shelf / deflectors) may be removed, but must be able to be re-installed if the appliance is removed.

External trim pieces, which do not affect the operation of the fireplace, may be removed provided they are available to be re-installed in event the appliance is removed.

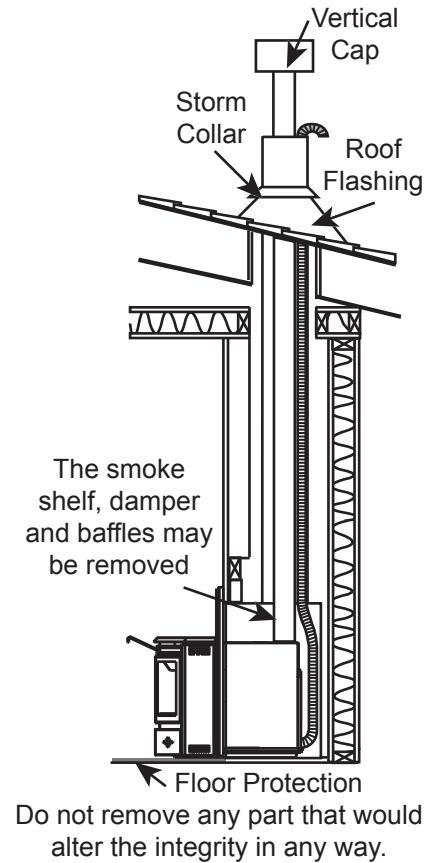
A warning label must be attached to the back wall of the fireplace stating that "This heater has been altered to accommodate a fireplace insert and must be re-inspected by a qualified person prior to re-use as a factory built fireplace".

Non-combustible floor protection must cover the flooring underneath, as well as extend a minimum of 6" (152.4mm) in front and to both sides of the appliance.

Clean all ashes out of the inside of the fireplace. Make sure that the chimney and fireplace are free of cracks, loose mortar, creosote deposits, blockage or other signs of deterioration.

If necessary, have any repair work done by a qualified professional before installing the appliance.

- A. Remove the fireplace damper or fasten it permanently open.
- B. Measure the throat of the fireplace and mark this shape on a piece of 24 (0.511mm) gauge sheet metal (flue cover). Cut a hole sized for the pellet liner to lie directly below the fireplace flue opening. Allow 2" (50.8mm) of material for a flange on all sides and cut to these measurements. Bend down the flanges. If you have never done this before, it might be a good idea to make a cardboard pattern and test it first. Fasten this flue cover in position as high as possible with two masonry screws per side through the flanges into the appliance.
- C. If you plan on connecting outside air it is recommended to do so at this time.
- D. Install floor protection if necessary.
- E. Connect the pellet vent with a clean out tee to the back of the insert. Refer to manufacturer's installation instructions to see "rear to top vent conversion instructions" section and the "general venting" section.
- F. Run a liner down the chimney and connect to tee.
- G. Position the insert in it's final location.
- H. Pull the excess length of liner out through the top of the chimney. Trim the excess liner, install the cap and cap the chimney.



## 5.0 framing (insert only)

### **WARNING**

#### **RISK OF FIRE!**

**IN ORDER TO AVOID THE POSSIBILITY OF EXPOSED INSULATION OR VAPOUR BARRIER COMING IN CONTACT WITH THE APPLIANCE BODY, IT IS RECOMMENDED THAT THE WALLS OF THE APPLIANCE ENCLOSURE BE "FINISHED" (IE: DRYWALL / SHEETROCK), AS YOU WOULD FINISH ANY OTHER OUTSIDE WALL OF A HOME. THIS WILL ENSURE THAT CLEARANCE TO COMBUSTIBLES IS MAINTAINED WITHIN THE CAVITY.**

**DO NOT NOTCH THE FRAMING AROUND THE APPLIANCE STAND-OFFS. FAILURE TO MAINTAIN AIR SPACE CLEARANCE MAY CAUSE OVER HEATING AND FIRE. PREVENT CONTACT WITH SAGGING OR LOOSE INSULATION OR FRAMING AND OTHER COMBUSTIBLE MATERIALS. BLOCK OPENING INTO THE CHASE TO PREVENT ENTRY OF BLOWN-IN INSULATION. MAKE SURE INSULATION AND OTHER MATERIALS ARE SECURED.**

**WHEN CONSTRUCTING THE ENCLOSURE ALLOW FOR FINISHING MATERIAL THICKNESS TO MAINTAIN CLEARANCES. FRAMING OR FINISHING MATERIAL CLOSER THAN THE MINIMUMS LISTED MUST BE CONSTRUCTED ENTIRELY OF NON-COMBUSTIBLE MATERIALS. MATERIALS CONSISTING ENTIRELY OF STEEL, IRON, BRICK, TILE, CONCRETE, SLATE, GLASS OR PLASTERS, OR ANY COMBINATION THEREOF ARE SUITABLE. MATERIALS THAT ARE REPORTED AS PASSING ASTM E 136, STANDARD TEST METHOD FOR BEHAVIOUR OF MATERIALS IN A VERTICAL TUBE FURNACE AT 1382°F (750°C) AND UL763 SHALL BE CONSIDERED NON-COMBUSTIBLE MATERIALS.**

**MINIMUM CLEARANCE TO COMBUSTIBLES MUST BE MAINTAINED OR A SERIOUS FIRE HAZARD COULD RESULT.**

**THE APPLIANCE REQUIRES A MINIMUM ENCLOSURE HEIGHT. MEASURE FROM THE APPLIANCE BASE.**

**IF STEEL STUD FRAMING KITS WITH CEMENT BOARD ARE PROVIDED, OR SPECIFIED IN THE INSTALLATION INSTRUCTIONS, THEY MUST BE INSTALLED.**

**IF SPECIFIED IN THE INSTALLATION INSTRUCTION FINISHING MUST BE DONE USING A NON-COMBUSTIBLE MATERIAL SUCH AS NON-COMBUSTIBLE BOARD, CERAMIC TILE, MARBLE, ETC. DO NOT USE WOOD OR DRYWALL. ANY FIRE RATED DRYWALL IS NOT ACCEPTABLE.**



## 5.1 installation into a combustible enclosure

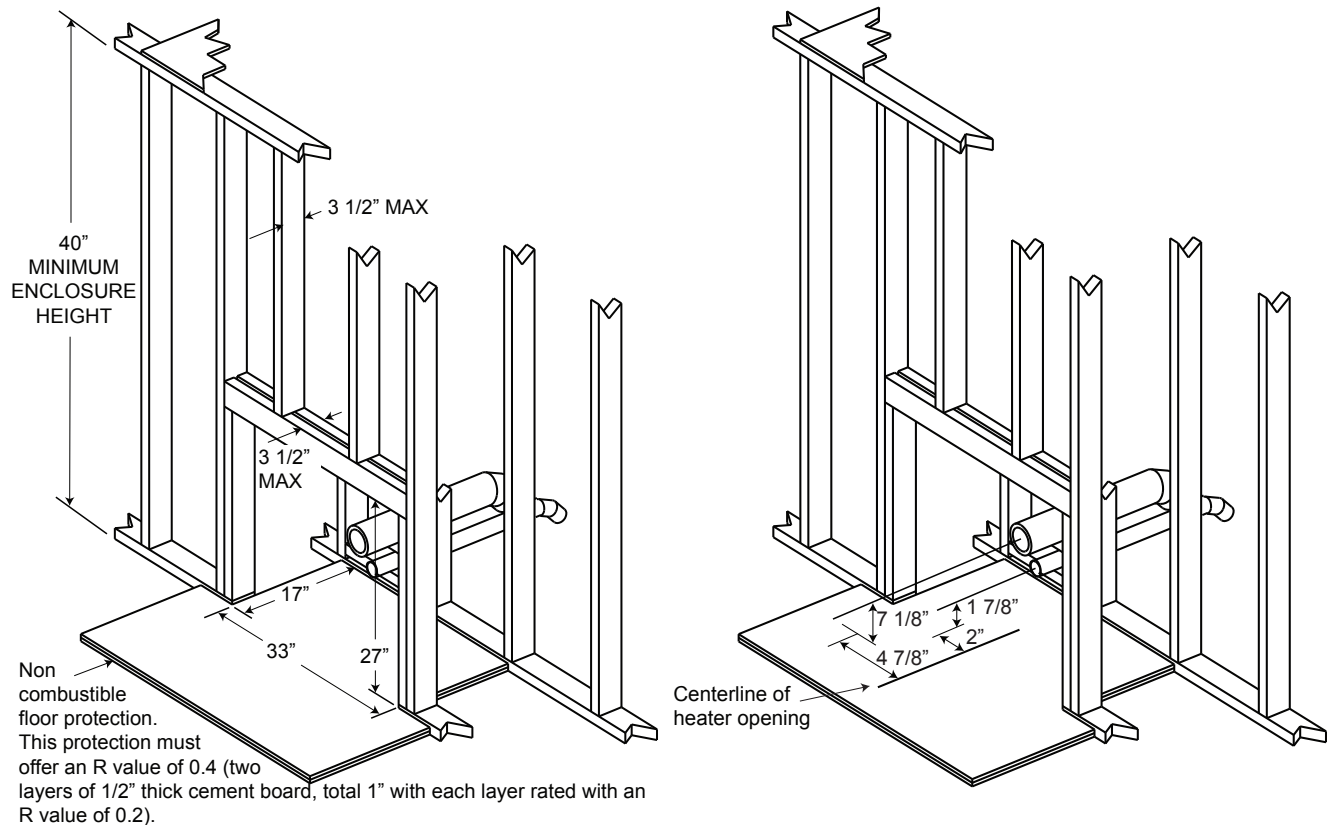
### ! WARNING

**OUTSIDE AIR IS MANDATORY FOR A COMBUSTIBLE BUILT-IN ENCLOSURE INSTALL.**

When installing the insert as a "Built-in" appliance, it is important to maintain the clearances to combustibles. See "minimum clearance to combustibles" section.

A non-combustible hearth must cover the flooring underneath, as well as a minimum of 6" (152.4mm) in front and to both sides of the appliance.

- A. Install floor protection.
- B. Frame structure maintaining minimum clearances. Locate and frame openings for both the exhaust and outside air. Outside air is mandatory for enclosure installations. See "outside air" section.
- C. Refer to vent manufacturer's installation instructions and to "venting" section. Connect the vent. Install flashing. See "flashing installation" section.
- D. Consideration must be taken during installation that removal of the insert is necessary for inspection and annual maintenance. Install the vent cap.



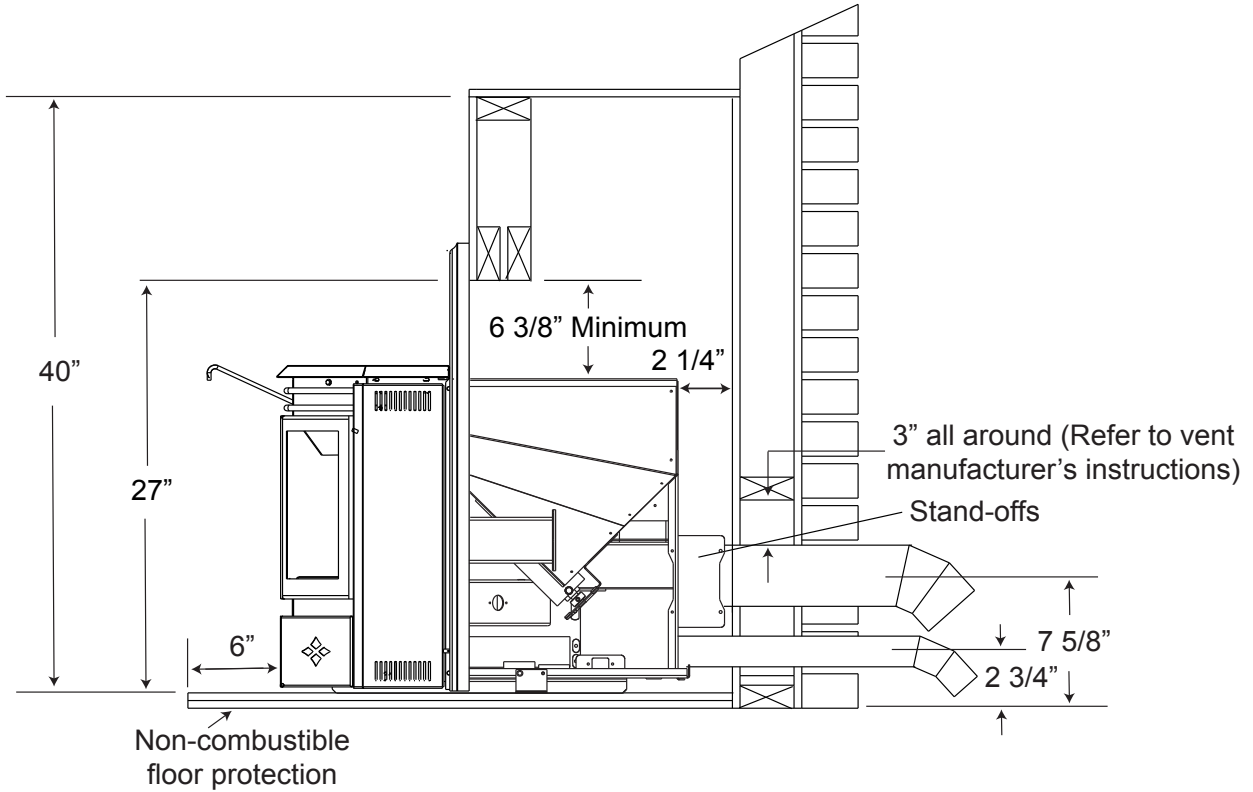
For temperature requirements, the enclosure space around and above the heater must be left unobstructed.

5.2 minimum enclosure clearances

**! WARNING**

The stand-offs located on the back of the insert must not be removed when installing the insert into a built-in combustible enclosure.

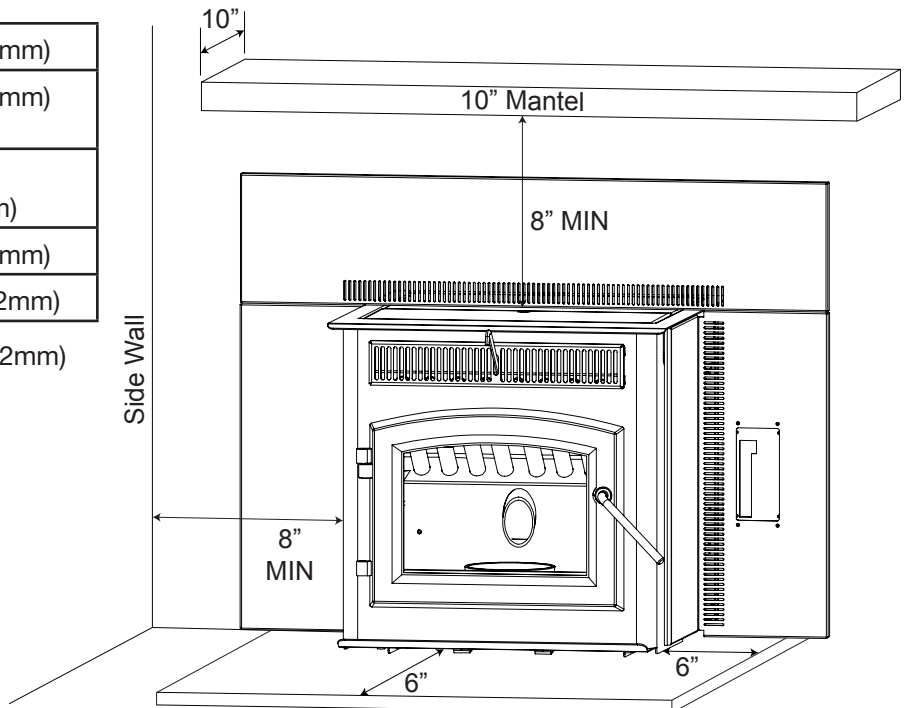
EN



5.3 minimum clearance to combustibles

|                            |                |
|----------------------------|----------------|
| Side wall to appliance     | 8" (203mm)     |
| Mantel to top of appliance | 8" (203mm)     |
| Top facing to appliance    | 6 3/8" (162mm) |
| Side facing to appliance   | 6" (152mm)     |
| Floor protection*          | 6"* (152mm)    |

\* Floor Protection: Minimum 6" (152mm) in front of door and to either side.

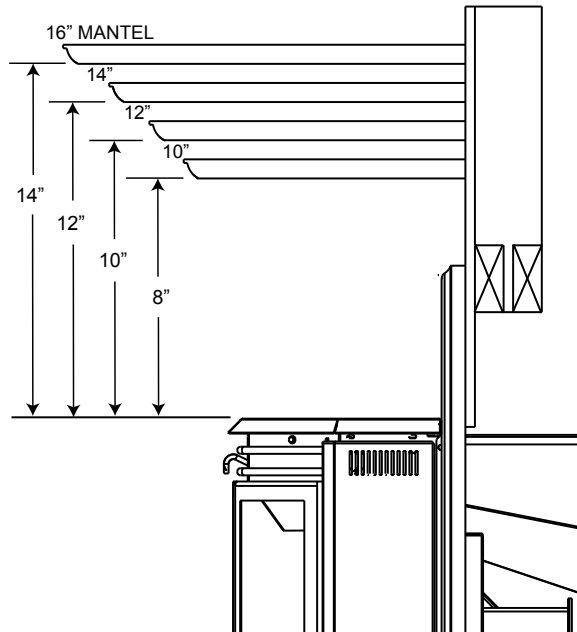


## 5.4 minimum mantel clearances

**! WARNING**

**RISK OF FIRE, MAINTAIN ALL SPECIFIED AIR SPACE CLEARANCES TO COMBUSTIBLES. FAILURE TO COMPLY WITH THESE INSTRUCTIONS MAY CAUSE A FIRE OR CAUSE THE APPLIANCE TO OVERHEAT. ENSURE ALL CLEARANCES (I.E. BACK, SIDE, TOP, VENT, MANTEL, FRONT, ETC.) ARE CLEARLY MAINTAINED.**

**WHEN USING PAINT OR LACQUER TO FINISH THE MANTEL, THE PAINT OR LACQUER MUST BE HEAT RESISTANT TO PREVENT DISCOLOURATION.**

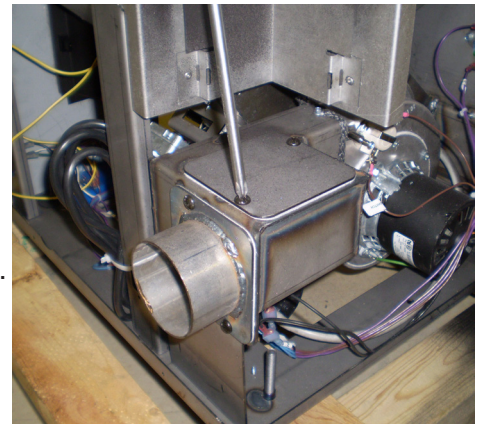


## 5.5 rear to top vent conversion instructions

**NOTE:** The insert is factory shipped in a rear vent configuration. Be careful not to damage the gasket.

If installing 4" (102mm) diameter vent vertically, it will be necessary to start with a 12" (305mm) section of 3" (76mm) diameter vent to clear the hopper, then increase to 4" (102mm) diameter vent.

- A. To vent exit vertically, remove the 2 screws holding the exhaust cover.
- B. Remove the 2 screws holding the exhaust tube.
- C. Attach the exhaust tube and gasket in the vertical position.
- D. Attach the exhaust cover and gasket over the horizontal exit.



## 6.0 finishing

### 6.1 installing viewing door

#### **! WARNING**

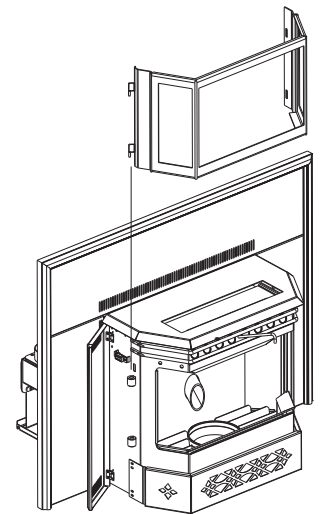
**GLASS MAY BE HOT, DO NOT TOUCH GLASS UNTIL COOLED.**

**THE DOOR LATCHES ARE PART OF A SAFETY SYSTEM AND MUST BE PROPERLY ENGAGED. DO NOT OPERATE THE APPLIANCE WITH LATCHES DISENGAGED.**

**BEFORE DOOR IS REMOVED TURN THE APPLIANCE OFF AND WAIT UNTIL APPLIANCE IS COOL TO THE TOUCH. DOORS ARE HEAVY AND FRAGILE SO HANDLE WITH CARE.**

The main viewing door has been boxed separate from the appliance, but **MUST** be installed before burning the appliance.

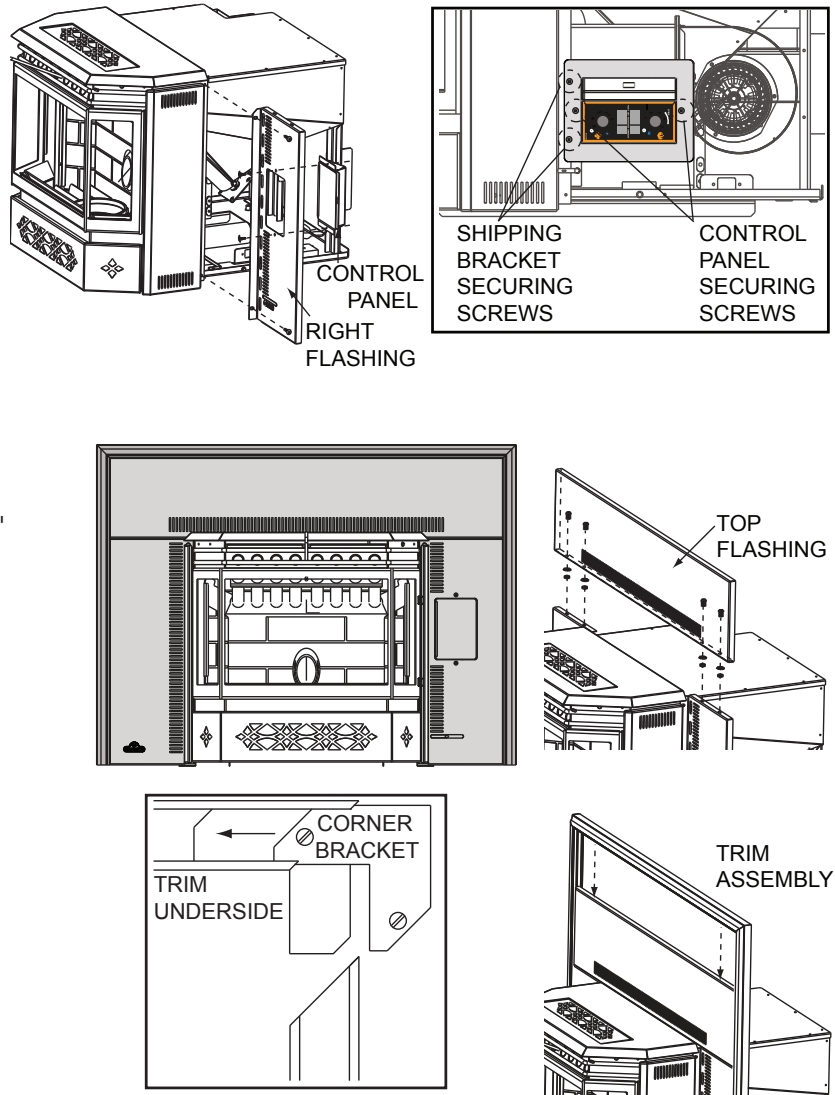
- A. Open both side panels, exposing the bushing on the left and the latches on the right.
- B. Align the pins on the door to the bushing on the left side of the appliance. Lower into place until both bushings touch.
- C. Engage the latch hooks into the door frame. Snap the rear handle hook to lock the latch closed.



INSERT ILLUSTRATED

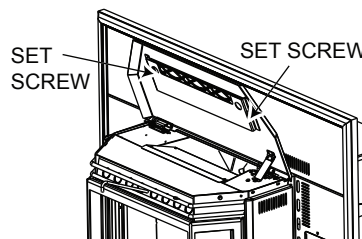
## 6.2 flashing installation

- A. Secure the right flashing to the right side of the appliance using 2 of the #8 x 1/2" screws.
- B. Remove the 2 control panel securing screws, discard the screws and shipping bracket.
- C. Secure the control panel to the right flashing using the 2 #8 x 3/8" screws. Secure the left flashing with the remaining #8 x 1/2" screws.
- D. Align the holes in the top of the right and left flashing with those on the bottom lip of the Top Flashing and secure from the rear using the 4 #8-32 x 3/8" screws, washers and nuts.
- E. The 3 pieces of trim are assembled in the same manner as a picture frame. Place the corner brackets (with screw loosened) into the trim sections. Tighten the screw spreading the 2 pieces apart. Attach the adjoining section. Repeat with the opposite side. Tighten all screws firmly.
- F. Slide the assembled trim down over the flashing.
- G. Affix the logo to the bottom left hand corner of the left flashing.



## 6.3 trivet installation

The trivet for the insert is attached by 2 set screws on the inside of the hopper lid.



# 7.0 wiring diagram

EN

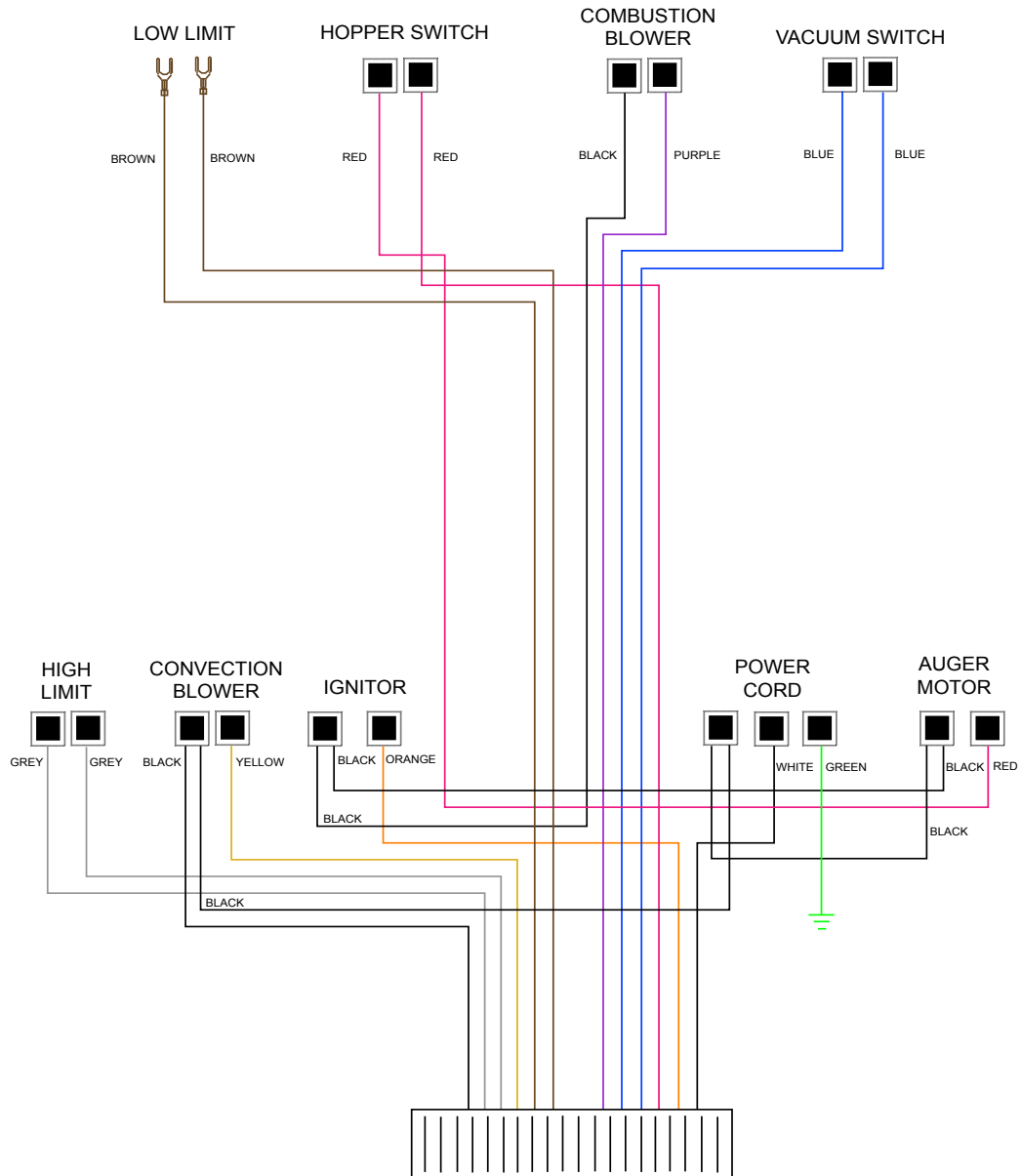
**! WARNING**

**DO NOT USE THIS APPLIANCE IF ANY PART HAS BEEN UNDER WATER. CALL A QUALIFIED SERVICE TECHNICIAN IMMEDIATELY TO HAVE THE APPLIANCE INSPECTED FOR DAMAGE TO THE ELECTRICAL CIRCUIT.**

**RISK OF ELECTRICAL SHOCK OR EXPLOSION. DO NOT WIRE 110V TO THE VALVE OR TO THE APPLIANCE WALL SWITCH. INCORRECT WIRING WILL DAMAGE CONTROLS.**

**ALL WIRING SHOULD BE DONE BY A QUALIFIED ELECTRICIAN AND SHALL BE IN COMPLIANCE WITH LOCAL CODES. IN THE ABSENCE OF LOCAL CODES, USE THE CURRENT CSA22.1 CANADIAN ELECTRIC CODE IN CANADA OR THE CURRENT NATIONAL ELECTRIC CODE ANSI/NFPA NO. 70 IN THE UNITED STATES.**

**ALWAYS LIGHT THE PILOT WHETHER FOR THE FIRST TIME OR IF THE GAS SUPPLY HAS RUN OUT, WITH THE GLASS DOOR OPENED OR REMOVED.**



## 8.0 operating instructions

### 8.1 proper pellet loading

Before loading pellets into the hopper first transfer the pellets from it's original plastic bag to a metal bucket. Keep in mind that the auger stops when the lid is opened. If the lid is opened for several minutes, the fire may extinguish.

**NOTE:** If the pellets are kept in the plastic bag, the bag may come in contact with the appliance causing the bag to melt and the pellets to spill.

**DO NOT** load pellets into the hopper if they have been exposed to moisture. Moisture can cause pellets to swell and cause blockage in the feed system. Thoroughly dry pellets before placing into hopper.

### 8.2 start up cycle

Before installing this appliance we recommend a "PRE-BURN" inspection to help burn off the odours that are associated with the first burn. If possible, move the appliance outside and add approximately 5 lbs of pellets into the hopper. Plug the power cord into a typical wall receptacle.

The appliance is equipped with a control board that has been shipped in manual mode.


When first starting a new pellet appliance, or when you completely empty the hopper of pellets you can press and hold the prime button to get the pellets into the burn pot quicker.

- A. Press the ON/OFF button:
- B. The "POWER" light will come on, indicating that the start-up cycle has begun. The "HEAT" light will come on.
- C. The auger comes on and runs for approximately 3 minutes.
- D. The igniter comes on and will stay on until the proof of fire determined by the temperature of the appliance.
- E. The convection blower will not operate until the proof of fire is determined by the temperature of the appliance.

**NOTE:** Flame should appear in the burn pot within 3 to 7 minutes from commencing the start-up cycle. The start-up cycle should end in approximately 12 to 15 minutes. At that point, the power light will go from red to green and then adjustments to the feed rate can be made or the appliance will revert to the previous setting. If proof of fire is not established in 15 minutes, the appliance will shut down and will need to be turned back on again.

If the appliance shuts down, empty the pellets from the burn pot and restart.

### 8.3 lighting appliance manually

|   |
|---|
|  <b>WARNING</b>  |
| <b>APPLIANCE MAY BE HOT.</b>  |
| <b>OTHER THAN PLACING A HANDFUL OF PELLETS IN THE BURN POT FOR LIGHTING MANUALLY, NEVER FEED PELLETS THROUGH THE GLASS VIEWING DOOR. AN "OVERFIRE" CONDITION COULD OCCUR, IF MORE PELLETS ENTER THE FIREBOX THAN WHAT THE FEED TUBE CAN DELIVER. PELLETS MUST ONLY BE BURNED WITHIN THE BURN POT.</b> |
| <b>NEVER USE GASOLINE TYPE LANTERN FUEL, KEROSENE, CHARCOAL LIGHTER FLUID, OR SIMILAR LIQUIDS TO START OR 'FRESHEN UP' A FIRE IN THIS APPLIANCE. KEEP ALL SUCH LIQUIDS WELL AWAY FROM THE APPLIANCE WHILE IT IS IN USE.</b>   |

Your appliance can be lit manually without using the automatic igniter by following the procedure below.

- Press the ON / OFF button.
- Place a "handful" of pellets into the burn pot.
- Cover with a small amount of approved (non-volatile) fire starter gel.
- Light fire starter with a match and close the viewing door.



## 8.4 lighting instructions

After filling the hopper with pellets, switch the control to manual so that you have full control of the appliance until you have familiarized yourself with its functions.

Do not try to operate your appliance with the viewing door or hopper lid open. Safety switches will disable the pellet feed auger.

- A. Press the "ON/OFF" button "ON" to initiate the ignition cycle.
- B. Once the ignition cycle has ended (approximately 12 to 15 minutes) adjustments can be made to the control.

## 8.5 controls

### RED LIGHTS

#### **Solid**

- Indicates set feed rates
- When making a fan adjustment, light will indicate fan speed temporarily and return to heat setting.

#### **Flashing**

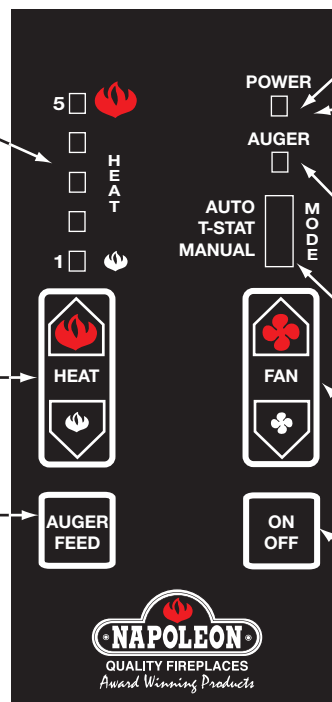
- Indicates an operation failure

### HEAT ADJUSTMENT

Increases or decreases the heat level.

### AUGER FEED

Speed feeding of pellets into the burn pot.



### RED LIGHT

Start up Cycle

### GREEN LIGHT

#### **Solid**

- Normal operating mode

#### **Flashing**

- Idling at lowest heat level.

### AMBER LIGHT

Auger is turning.

### OPERATING MODE

Sets the heater's operating mode.

### FAN ADJUSTMENT

Increases or decreases the speed of the convection fan.

### ON / OFF

Used to turn the heater on or off.

### AUTO / T-STAT / MANUAL

This switch is used to select the operating mode.

**MANUAL:** Sliding the switch down to manual will allow you to manually select the heat and blower settings. In manual mode the heater will run at your desired settings indefinitely, until you manually turn the heater off or the heater runs out of pellets.

**T-STAT:** If you would like to have your heater operate using a thermostat, slide the switch to the middle position (T-STAT). In T-STAT mode, the remote thermostat will control the heat output by alternating between the lowest heat level and the preset heat level. When the thermostat setting is satisfied the heater will default to the lowest heat level.

**AUTO:** Slide the switch to the top position (AUTO). Similar to T-STAT mode, auto operates using a thermostat. The difference being if the thermostat does not call for heat in a 60 minute period the heater will turn off completely. When the thermostat does call for heat, it will initiate a start-up cycle. This operating mode is recommended for the spring and fall season, as the heater is only required periodically.

**ON / OFF**

Use this button to turn the heater on and off.

**HEAT:** Pressing the heat up arrow (red) will increase the heat level 1 setting. Pressing the heat down arrow (white) will decrease the heat level 1 setting. During start-up, the power light will flash green and these buttons will not respond. The red lights at the top left of the control will indicate the heat setting 1 through 5.

**FAN:** Pressing the fan up arrow (red) will increase the fan speed 1 setting. Pressing the fan down arrow (white) will decrease the fan speed 1 level. While adjusting the fan speed, the red lights will temporarily indicate the fan speed then flash back to the heat level.

**AUGER FEED:** Pressing and holding this button will turn the auger, speeding the feed of pellets into the burn pot. This is convenient when using the heater for the first time or when you have completely emptied the hopper and need to restart the heater.

## 8.6 control adjustment

**FEED TRIM**

Both the combustion fan speed and the feed rate have been factory set but may need to be adjusted (trimmed) on site. Due to the variables (i.e. vent size and length, pellet quality), the factory settings may not be correct for every installation. To help keep the flame from extinguishing on the minimum heat level, the feed rate can be trimmed when in normal operation (after start-up cycle). Depress and hold the auger button while you push the heat up or down buttons. This will slightly increase the amount of fuel being fed into the burn pot. When trimming the feed rate, the LED's will display the factory setting (#3 light) with the ability to increase up 2 levels (#4 and #5 light) or decrease (#2 and #1 light) the length of time between the auger feed cycle.

**FAN TRIM**

Similar to the feed rate, it may be necessary to trim the speed of the combustion blower. Due to specific installations, it may be necessary to increase or decrease the amount of air moving through the burn pot to achieve maximum efficiency. When in normal operation depress and hold the auger feed button. Similar to the feed trim the LED's indicate what setting the trim feature is set to (#3 light is the factory setting). To adjust the flow, push the fan up or down buttons while depressing the auger feed button.

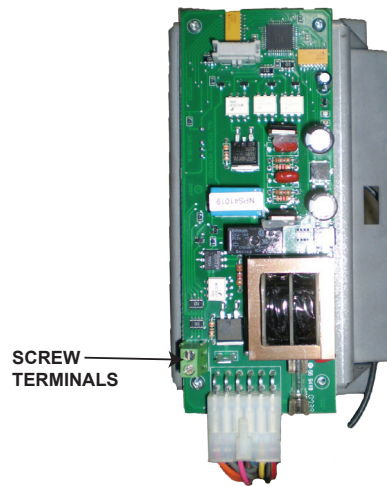
## 8.7 installing a thermostat or remote control

An optional millivolt thermostat is available to help keep the room temperature constant.

**NOTE: The thermostat must be installed by a qualified installer.**

- A. Disconnect the power supply.
- B. Remove the right side panel to gain access to the rear of the control panel.
- C. Strip and connect the thermostat wires to the screw terminals on the back of the control panel.
- D. Route the thermostat wire through the space between the firebox base and the right side panel.

**NOTE: The control must be in either T-STAT or AUTO to control the appliance with a thermostat.**



## 8.8 shutdown instructions

Push the "ON/OFF" button. Your appliance will cycle down and the blower will remain operating until your appliance has cooled.

## 9.0 normal operating sounds

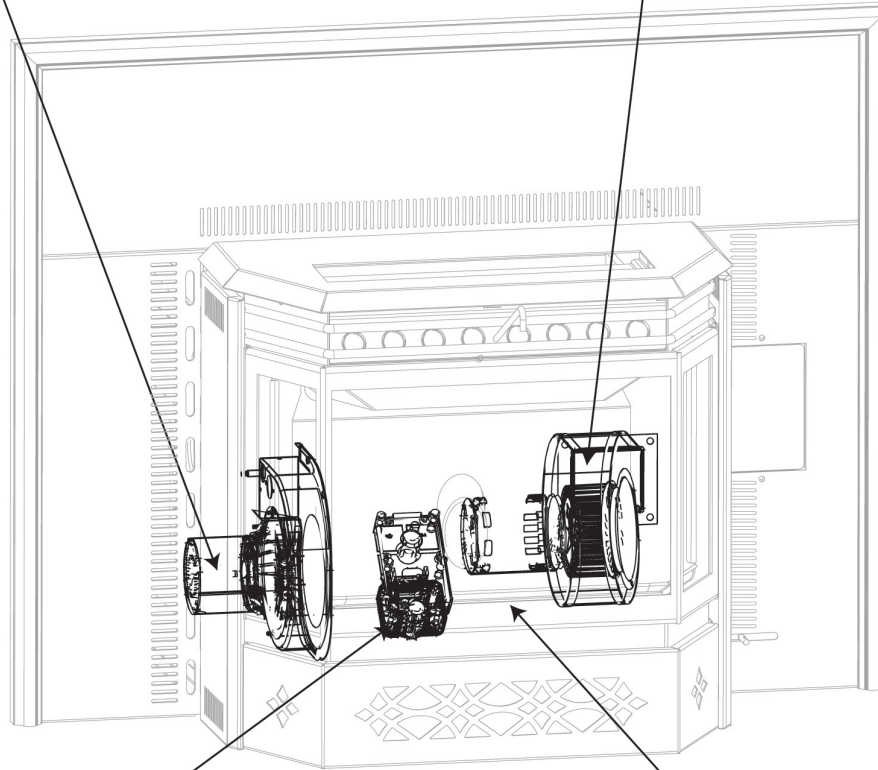
EN

### Exhaust Blower

The flow of exhaust gases may create a low-pitched hum. As the pellet feed rate is altered, this sound will change.

### Convection Blower \*

A low hum might be heard due to the high efficiency fan, especially on high. As the fan dial is turned, this noise will change.



### Auger Motor

An irregular buxx of the motor running might be heard when pellets are being fed.

### Burn Pot

A light clicking sound might be heard as the pellets are fed into the burn pot.

**\* NOTE:** "Quiet Mode" (NPS45 Only) disables the convection blower when the stove is in pilot/standby mode regardless of control setting. The blower will activate during ignition to cool components then it will shutdown again. When ignition cycle is complete, if stove is in heat level #1, the blower will shutdown. If the blower is running in heat levels #2 - #5 and the appliance is adjusted to heat level #1, the blower will stay on until the components cool down. The same applies in T-STAT mode.

## 10.0 maintenance

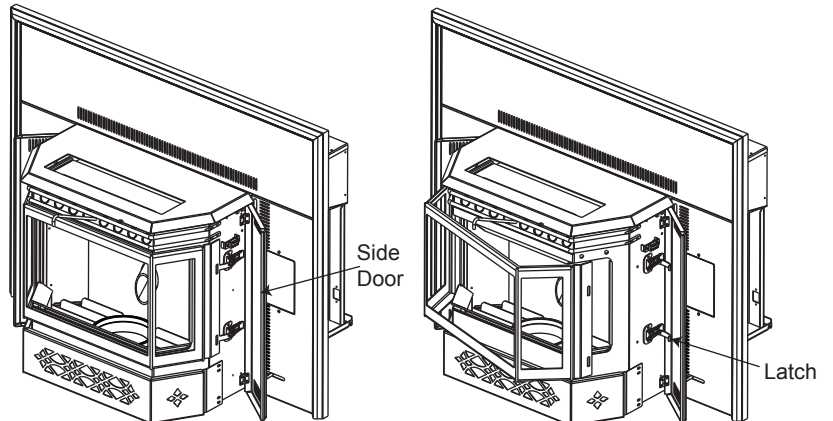
### 10.1 daily maintenance

#### **! WARNING**

**THE FRONT OF THE APPLIANCE BECOMES VERY HOT DURING OPERATION. LET THE APPLIANCE COOL COMPLETELY BEFORE CONDUCTING SERVICE.**

#### 10.1.1 main door opening

- A. Open the side doors on either side of the appliance.
- B. On the right side of the appliance are 2 latches, release the latches by pulling the rear handle forward and disengaging the hook from the door frame.
- C. Swing open the viewing door.

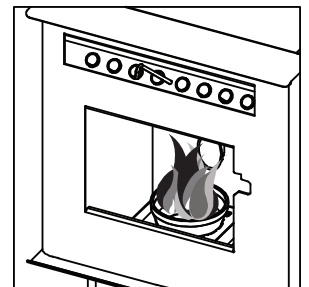


#### 10.1.2 ash disposal

Ashes should be placed in a metal container with a tight fitting lid. The container should be placed on a non-combustible floor, well away from combustible materials, pending final disposal. If ashes are disposed of by burial in soil or otherwise locally dispersed, they should be retained in the closed container until all cinders are thoroughly cooled.

#### 10.1.3 burn pot inspection

When burning, the flames should be bright orange with embers jumping from the burn pot. If not see “pellet pile up maintenance” or “burn pot cleaning” sections.



#### 10.1.4 care of plated parts

If the appliance is equipped with plated parts, you must clean fingerprints or other marks from the plated surfaces before operating the appliance for the first time. Use a glass cleaner or vinegar and towel to clean. If not cleaned properly before operating for the first time, the marks can cause permanent blemishes on the plating. After the plating is cured, the fingerprints and oils will not affect the finish and little maintenance is required, just wipe clean as needed. Prolonged high temperature burning with the door ajar may cause discoloration on plated parts.

**NOTE:** The protective wrap on plated parts is best removed when the assembly is at room temperature but this can be improved if the assembly is warmed, using a hair dryer or similar heat source.

### 10.1.5 care of glass

If the glass is not kept clean permanent discolouration and / or blemishes may result. Normal operation of your pellet appliance will produce a build-up on the glass that should be wiped off daily. However, poor quality pellets or extended burning on the low setting will cause the glass to “smoke up” faster. Refer to “replacements” section to find out what this product is equipped with. Use only replacement glass available from your Authorized dealer.



#### DO NOT CLEAN GLASS WHEN HOT!

If necessary, clean the glass with a soft cloth or paper towel. You could use “wood stove” glass cleaner to remove heavy build-up.

Do not operate the appliance with broken glass, as leakage of flue gases may result.

### 10.1.6 heat exchanger tubes cleaning

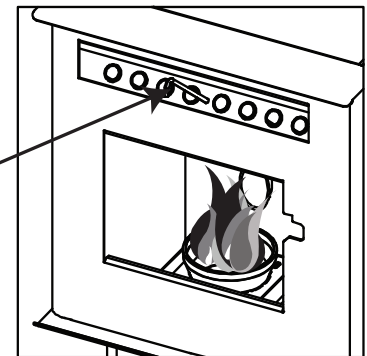


With the appliance cool (or wearing heat resistant gloves), slide the heat exchange cleaner rod up and down several times to prevent the build up of ash on the heat exchange tubes.

Keep the viewing door closed so the fly ash does not enter the room.

**NOTE:** More frequent cleaning may be required depending upon pellet quality.

HEAT  
EXCHANGE  
CLEANER  
ROD

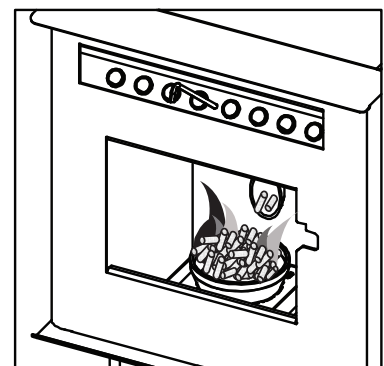


### 10.1.7 pellet pile up maintenance

If the flames seem to be coming only from the sides, are orange/black, turn the appliance off and check for a build up of pellets. If the pellets build up over the burn pot, turn the pellet feed switch to “OFF”.

#### The most likely causes are:

- A. Feed rate has been set to maximum for an extended period of time. Reduce feed rate.
- B. The door, glass, or ash pan is open or has an air leak.
- C. The burn pot requires cleaning.
- D. The exhaust system requires cleaning.
- E. The appliance requires adjustment (trim feed rate and blower).
- F. Poor pellet quality.
- E. Ensure the leveling bolts are installed in the front corners of the firebox base (TP35 series only).



### 10.1.8 burn pot cleaning

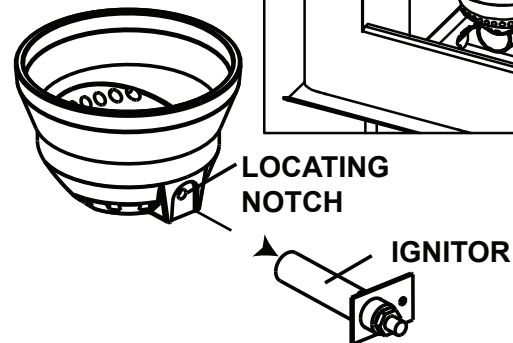
## ! WARNING

**MAKE CERTAIN THE HEATER HAS FULLY COOLED (APPROXIMATELY 25 MINUTES) BEFORE OPENING THE DOOR AND CONDUCTING SERVICE.**

To clean the burn pot, open the door and knock away any debris on the burn pot. If severely clogged, remove the burn pot to gain better access. If removing the burn pot set aside on a non-combustible surface. Once removed, discard all material that has accumulated in the burn pot.

Make certain that all openings are clear of any build up of ash from the ledge below the burn pot.

Re-install the burn pot ensuring it sits level in the appliance. Also must ensure the ignitor and the burn pot locating notch line up when reinstalling the burn pot.



## 10.2 bi-weekly maintenance (or every 10 bags of pellets)

### 10.2.1 firebox maintenance (vacuum)

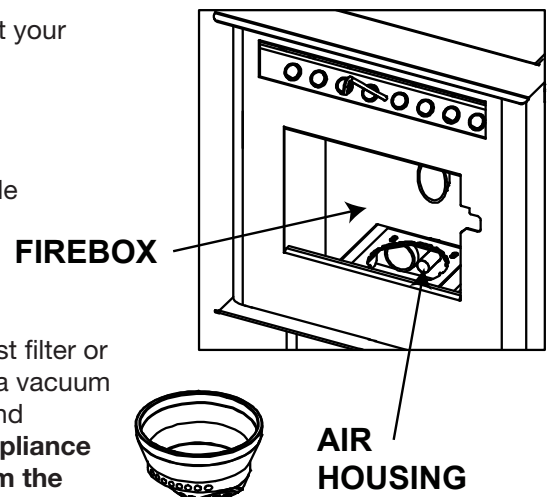
## ! WARNING

**THE FIREBOX BECOMES VERY HOT DURING OPERATION. LET THE APPLIANCE COOL COMPLETELY BEFORE CONDUCTING SERVICE.**

**NEVER VACUUM HOT EMBERS.**

The more frequently you clean out the fly ash, the more efficient your appliance will burn.

- A. Open the viewing door.
- B. Lift the burn pot out and set aside on a non-combustible surface.
- C. Vacuum out the firebox. Do not use a household vacuum to clean the appliance. We recommend that you use a shop vacuum that is equipped with a fine dust filter or a vacuum specifically made for ashes and soot. Using a vacuum which is not equipped with a fine dust filter may clog and disperse fly ash and soot into the room. **NOTE: The appliance must be completely extinguished before you vacuum the appliance. Burning pellets, if sucked into the vacuum will light the vacuum on fire and may ultimately cause a house fire.**



Re-install the burn pot ensuring it sits level in the appliance. Also must ensure the ignitor and the burn pot



### 10.3 semi-annually (or every 2 tons of pellet)

|   |
|---|
| <b>! WARNING</b>  |
| <b>THE FIREBOX BECOMES VERY HOT DURING OPERATION. LET THE APPLIANCE COOL COMPLETELY BEFORE CONDUCTING SERVICE.</b>  |
| <b>DISCONNECT THE POWER CORD PRIOR TO CONDUCTING SERVICE.</b>   |
| <b>THE FOLLOWING SECTION DETAILS EXTENSIVE MAINTENANCE PROCEDURES. WE STRONGLY SUGGEST THESE ITEMS BE CARRIED OUT BY A TRAINED SERVICE TECHNICIAN, POSSIBLY BY A SERVICE AGREEMENT SET UP WITH YOUR DEALER.</b> |

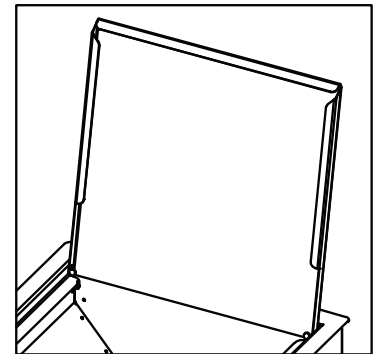
**NOTE:** More frequent cleaning may be required depending on pellet quality.

#### 10.3.1 vacuum hopper

The more frequently you clean out the fly ash, the more efficient your appliance will burn.

- A.** Operate the appliance until the pellets run out, then open the hopper and vacuum out the entire hopper.

The dust and any other debris near the bottom should be removed to prevent excessive build-up.



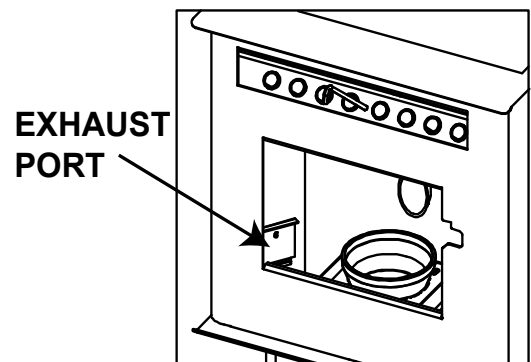
#### 10.3.2 soot and fly ash formation

The products of combustion will contain small particles of fly ash. The fly ash will collect in the exhaust venting system and restrict the flow of the flue gases. Incomplete combustion occurring during startup, shutdown, or incorrect operation of the room appliance will lead to some soot formation which will collect in the exhaust venting system. The exhaust venting system should be inspected at least once every year to determine if cleaning is necessary.

#### 10.3.3 vertical exhaust duct cleaning

- A.** Pivot the viewing door wide open.
- B.** Remove the one screw on each exhaust port located on either side of the fire box. Remove the exhaust port doors and set aside on a non-combustible surface.

Insert a vacuum into the exhaust port holes and remove as much fly ash as possible from behind the left and right exhaust manifolds. Do not use a household vacuum to clean the appliance. We recommend that you use a shop vacuum that is equipped with a fine dust filter or a vacuum specifically made for ashes and soot. Using a vacuum which is not equipped with a fine dust filter may clog and disperse fly ash and soot into the room. **NOTE: The appliance must be completely extinguished before you vacuum the appliance. Burning pellets, if sucked into the vacuum will light the vacuum on fire and may ultimately cause a house fire.**



Once clean, replace the exhaust port doors and secure with the screws.



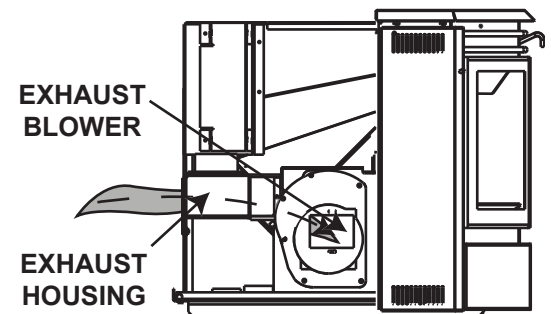
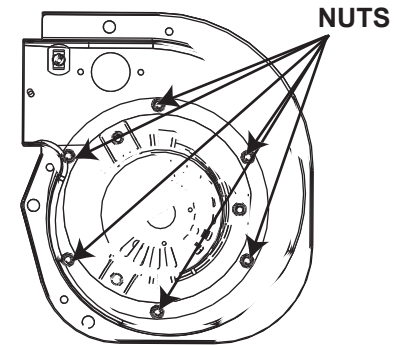
### 10.3.4 exhaust housing clean (insert only)

To clean the exhaust blower and exhaust housing, the appliance must be pulled out from the appliance cavity. Remove the venting from the exhaust collar. If installed as a top vent, remove cover plate from the rear of the housing. If installed as a rear vent, remove the cover plate from the top of the housing. Vacuum out the housing back to blower outlet.

### 10.3.5 exhaust blower cleaning

**NOTE:** Do not attempt this maintenance without a replacement exhaust blower motor mounting gasket.

- A. Remove the six nuts holding the exhaust blower motor in place.
- B. Pull the motor out being careful not to damage the wiring, unplug the two wires that are connecting the motor and gently set aside. (The pieces of gasket may be discarded.)
- C. Start by cleaning the exhaust tube by feeding a brush or rag through the inside of the tube and out the exhaust blower housing.
- D. Vacuum out the exhaust ports and the blower housing.
- E. With a bristle brush vacuum, clean the blades of the motor.
- F. Place the new exhaust blower mounting gasket around the screw holes being very careful not to tear it.
- G. Re-attach the wiring to the motor and place it back on to the housing, taking care that the side of the motor does not tear the gasket and then re-attach the nuts.



### 10.3.6 seal checks

Check for air leaks around the door, glass, and ash pan and replace gaskets as required.

Air leaks into the firebox will decrease the appliance's performance greatly, leading to excessive soot, inefficient burning, and may even cause a malfunction.

Test the door seal by shutting the door on a piece of paper in various locations. If the paper can be easily slid out, air may be leaking around the door seal. Carefully inspect the door gasket and door catch.

Inspect the door gasket to make sure it is fully attached. Appliance gasket cement can be used to re-attach if necessary. If the door gasket is worn or flattened, replace.

Check the door to make sure it latches correctly. The latch should engage with a slight amount of resistance, yet not be too difficult.

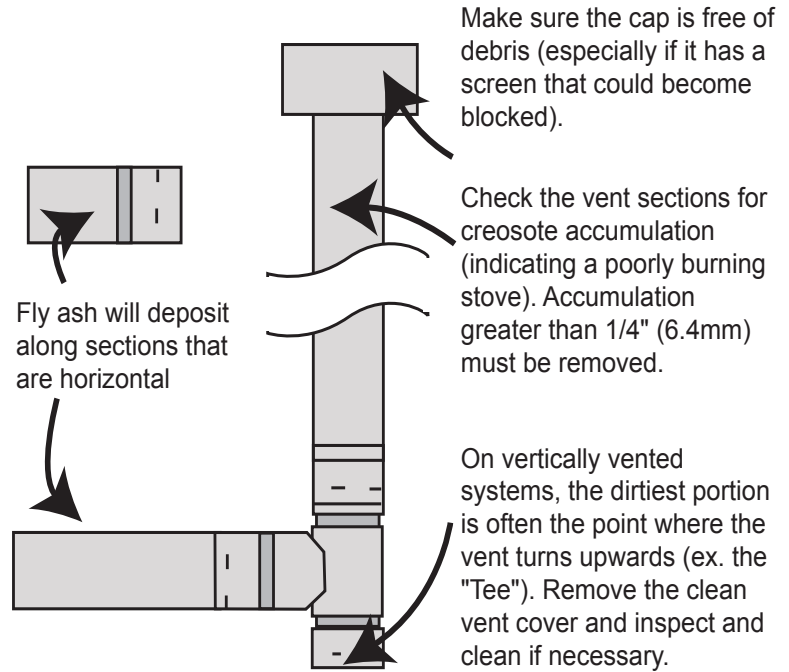
If the glass is cracked, replace.

### 10.3.7 vent cleaning

## ! WARNING

**WHENEVER ANY PORTION OF THE PELLET VENT IS DISCONNECTED, THE JOINTS MUST BE RE-SEALED WITH RTV 500°F / 260°C SILICONE SEALANT.**

Vent system should be cleaned using chimney sweep brushes. We recommend this be done by a qualified chimney sweep.



### 10.4 in the event of a jammed auger

## ! WARNING

**DISCONNECT THE POWER CORD PRIOR TO CONDUCTING SERVICE.**

Occasionally damp fuel or foreign objects could get jammed in the auger screw. When this occurs it will be necessary to empty the hopper and/or remove the auger screw from the hopper assembly.

Start by emptying the pellets from the hopper. If it is necessary to remove the auger cotter pin, start by removing both of the side panels and the rear panel. Locate the auger motor, remove the cotter pin that secures the motor to the auger. Remove the two hex bolts from the auger housing which will allow the cotter pin to slide out. After you have removed the shaft, inspect it for bent flights, burrs, or broken welds. Remove any foreign material that might have caused the jam. Also, check the auger tube for signs of damage such as burrs, rough spots, or grooves cut into the metal that could have caused a jam.

## 11.0 replacements

### **WARNING**

**FAILURE TO POSITION THE PARTS IN ACCORDANCE WITH THIS MANUAL OR FAILURE TO USE ONLY PARTS SPECIFICALLY APPROVED WITH THIS APPLIANCE MAY RESULT IN PROPERTY DAMAGE OR PERSONAL INJURY.**

EN

Contact your dealer for questions concerning prices and policies on replacement parts. Normally, all parts can be ordered through your Authorized dealer / distributor.

**FOR WARRANTY REPLACEMENT PARTS, A PHOTOCOPY OF THE ORIGINAL INVOICE WILL BE REQUIRED TO HONOUR THE CLAIM.**

When ordering replacement parts always give the following information:

- Model & Serial Number of appliance
- Installation date of appliance
- Part number
- Description of part
- Finish

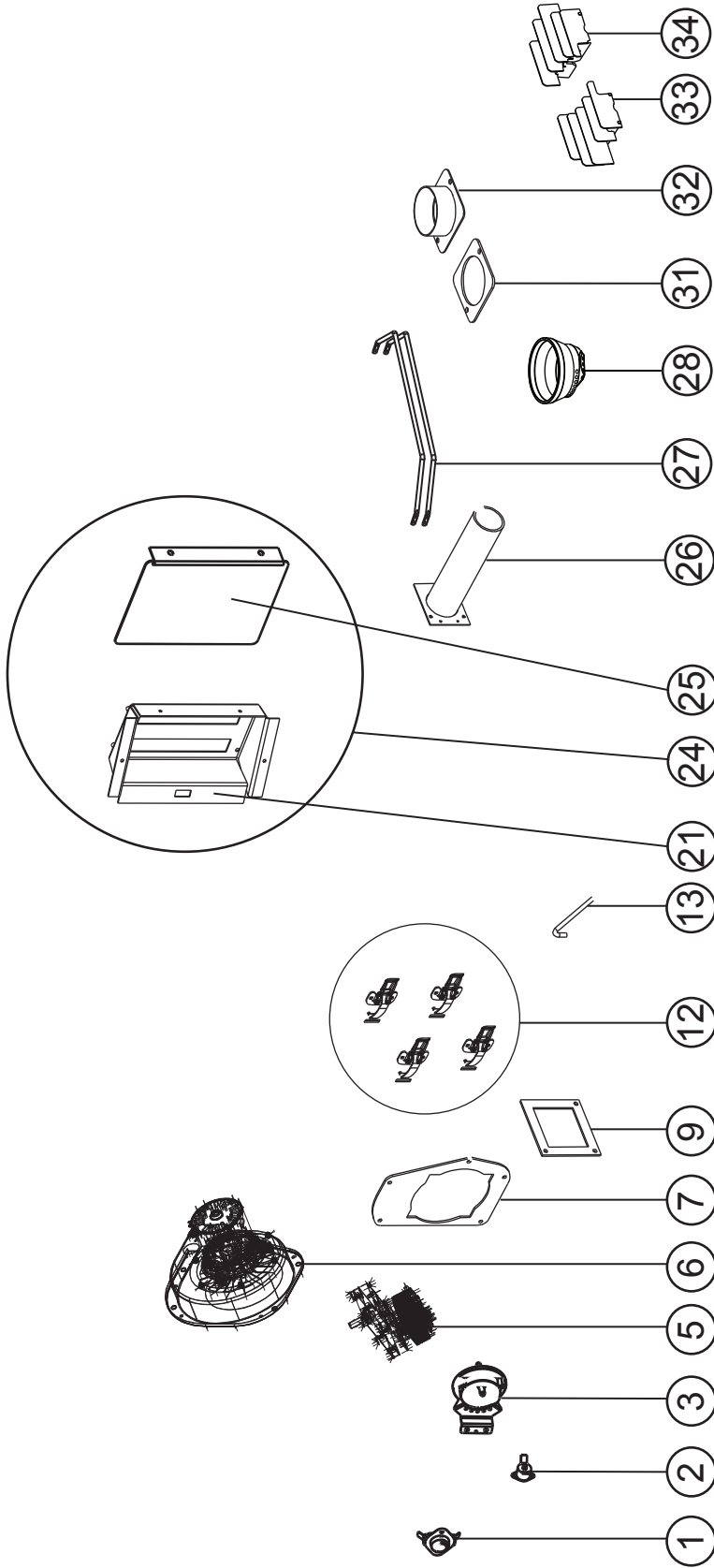
**PARTS, PART NUMBERS AND AVAILABILITY ARE SUBJECT TO CHANGE WITHOUT NOTICE.**

**PARTS IDENTIFIED AS STOCKED WILL BE DELIVERED WITHIN 2 TO 5 BUSINESS DAYS FOR MOST DELIVERY DESTINATIONS.**

**PARTS NOT IDENTIFIED AS STOCKED WILL BE DELIVERED WITHIN A 2 TO 4 WEEK PERIOD, FOR MOST CASES.**

**PARTS IDENTIFIED AS 'SO' ARE SPECIAL ORDER AND CAN TAKE UP TO 90 DAYS FOR DELIVERY.**

11.1 common replacements



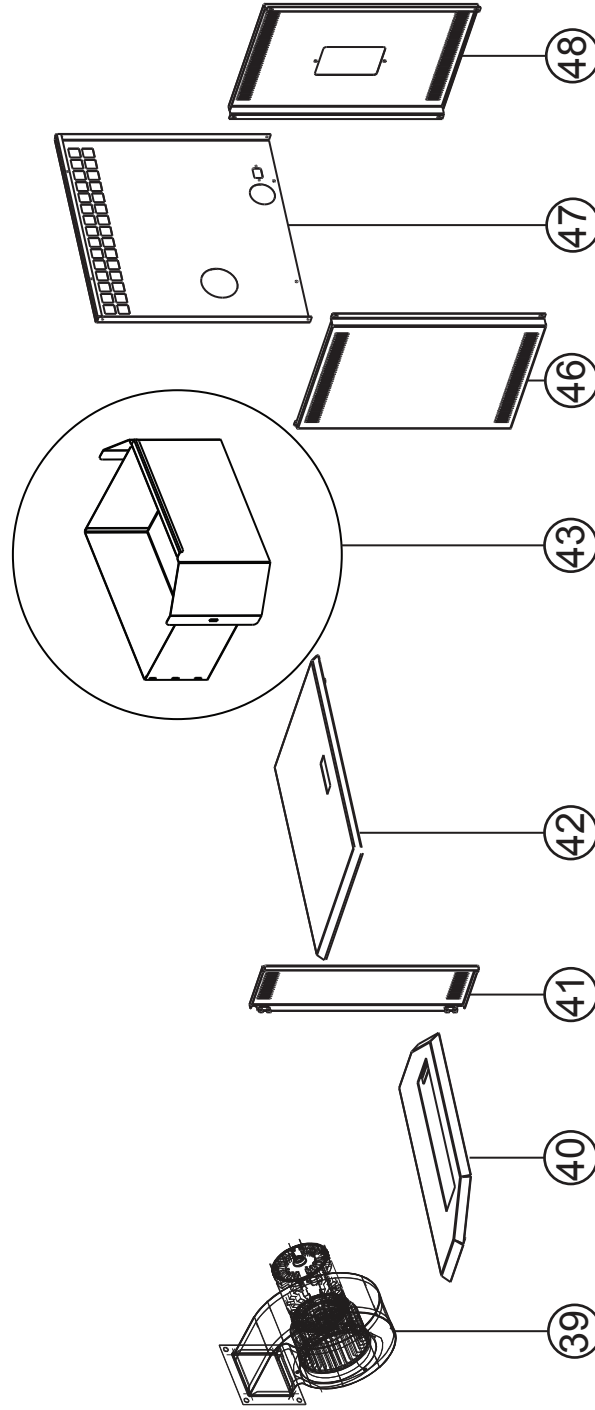
Items may not appear exactly as illustrated.

| Ref. No. | Part No.      | Description                             | Stocked |
|----------|---------------|---|---------|
| 1        | W660-0052     | Low limit switch 140°F (60°C)           | Yes     |
| 2        | W660-0169     | High limit switch 220°F (93°C)          | Yes     |
| 3        | W660-0056     | Vacuum switch                           | Yes     |
| 4*       | W195-0004     | Power cord                              | Yes     |
| 5        | NPAM          | Auger motor kit                         | Yes     |
| 6        | W062-0027-SER | Combustion blower                       | Yes     |
| 7        | W290-0111     | Combustion blower mounting gasket       | Yes     |
| 8*       | W290-0120     | Combustion blower motor mounting gasket | Yes     |
| 9        | W290-0119     | Conversion blower gasket                |         |
| 10*      | W255-0020     | Pressure fitting tap                    |         |
| 11*      | W570-0107     | Auger screw                             | Yes     |
| 12       | W390-0002     | Door latch (X4)                         |         |
| 13       | W555-0061     | Scraper rod                             |         |
| 14*      | W105-0012     | Nylon bushing                           | Yes     |
| 15*      | W485-0038     | Cotter pin                              |         |
| 16*      | W750-0383     | Wire harness                            | Yes     |
| 17*      | W385-2010     | Napoleon logo                           | Yes     |

\* Parts not illustrated.

| Ref. No. | Part No.      | Description                       | Stocked |
|----------|---------------|-----------------------------------|---------|
| 18*      | W010-1528     | Control door assembly             |         |
| 19*      | W475-0555     | Bottom OI panel                   |         |
| 20*      | W010-1949-SER | Igniter kit                       | Yes     |
| 21       | W390-0012     | Control panel latch               |         |
| 22*      | W010-1490     | Exhaust tube                      |         |
| 23*      | W010-3872-SER | Ignitor                           |         |
| 24       | W350-0361     | Control housing                   |         |
| 25       | W080-0932     | Motor bracket                     |         |
| 26       | W010-1491     | Combustion air tube assembly      |         |
| 27       | W030-0022P    | Accent bar (x2)                   |         |
| 28       | W135-0320     | Cast, burn pot                    | Yes     |
| 29*      | W430-0002     | Magnetic door catch assembly (x2) |         |
| 30*      | W460-0004     | Receptacle                        | Yes     |
| 31       | W290-0122     | Exhaust gasket                    | Yes     |
| 32       | W010-1612     | Exhaust collar                    | Yes     |
| 33       | W010-1685     | Left louvre assembly              |         |
| 34       | W010-1673     | Right louvre assembly             |         |

## 11.2 NPS45 replacements



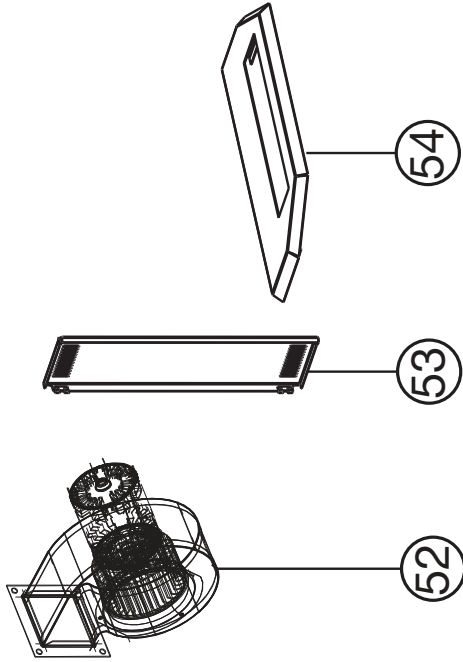
Items may not appear exactly as illustrated.

| Ref. No. | Part No.  | Description                 | Stocked |
|----------|-----------|-----------------------------|---------|
| 39       | PSCB      | Convection blower           | Yes     |
| 40       | W010-1508 | Welded top assembly         |         |
| 41       | W010-1527 | Side door assembly          |         |
| 42       | W010-1529 | Hopper door assembly        |         |
| 43       | W010-1667 | Ash pan assembly            |         |
| 44*      | W010-1668 | Pedestal side door assembly |         |
| 45*      | W035-0191 | Pedestal base               |         |

| Ref. No. | Part No.  | Description         | Stocked |
|----------|-----------|---------------------|---------|
| 46       | W475-0485 | Outer panel, left   |         |
| 47       | W475-0482 | Outer rear panel    |         |
| 48       | W475-0484 | Outer panel, right  |         |
| 49*      | W562-0077 | Pedestal gasket     |         |
| 50*      | W660-0176 | Switch, hopper      | Yes     |
| 51*      | W750-0230 | Wire, jumper (TGGT) |         |

\* Parts not illustrated.

### 11.3 NPI45 replacements



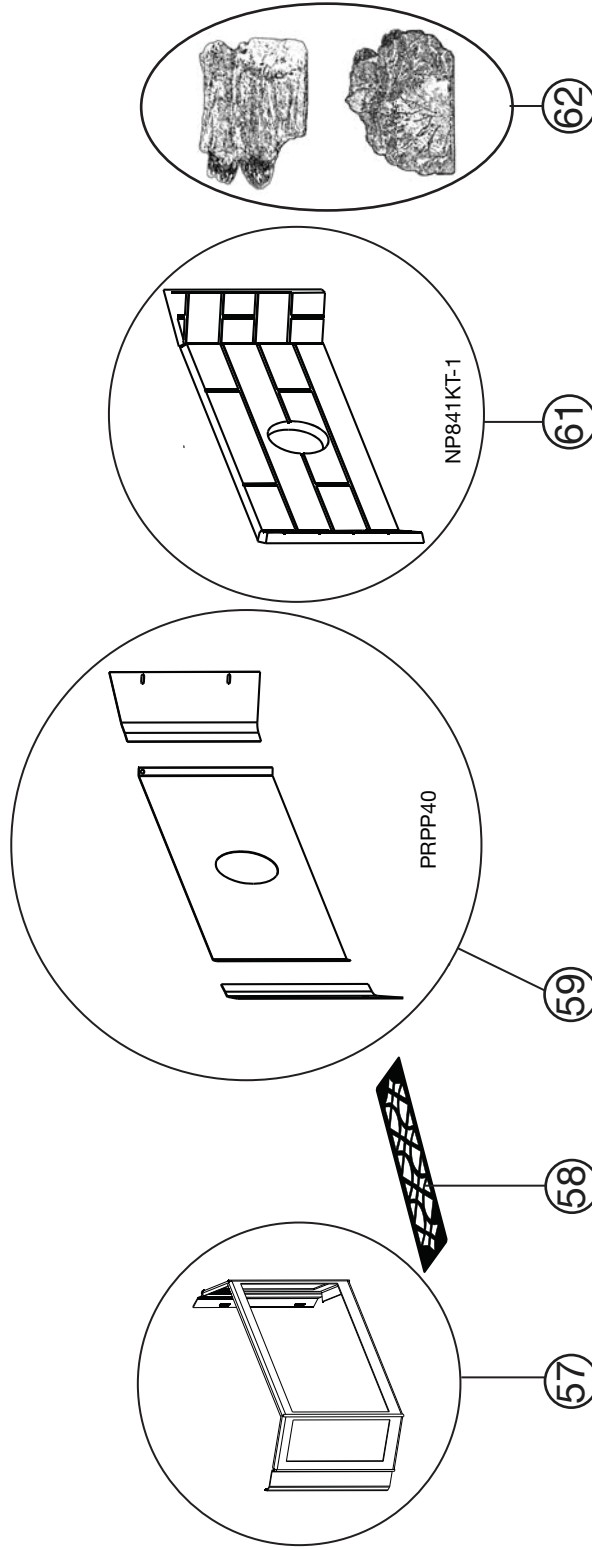
Items may not appear exactly as illustrated.

| Ref. No. | Part No.  | Description                | Stocked |
|----------|-----------|----------------------------|---------|
| 52       | PICB      | Convection blower          | Yes     |
| 53       | W010-1670 | Side door assembly         |         |
| 54       | W010-1991 | Welded hopper lid assembly |         |
| 55*      | W660-0084 | Switch, hopper             |         |
| 56*      | W750-0230 | Wire, jumper (TGGT)        | Yes     |

\* Parts not illustrated.

# 12.0 accessories

## 12.1 common accessories



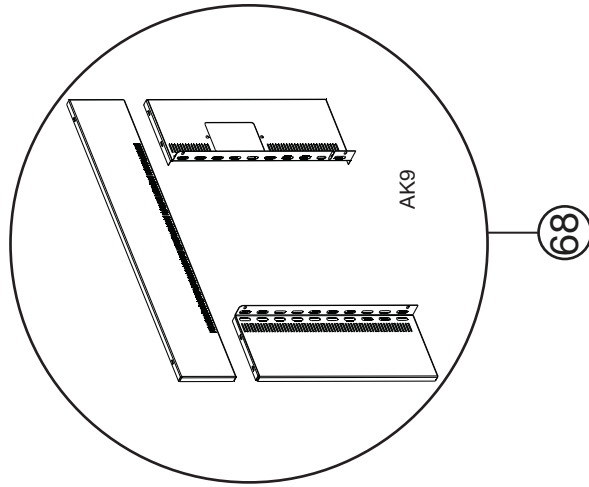
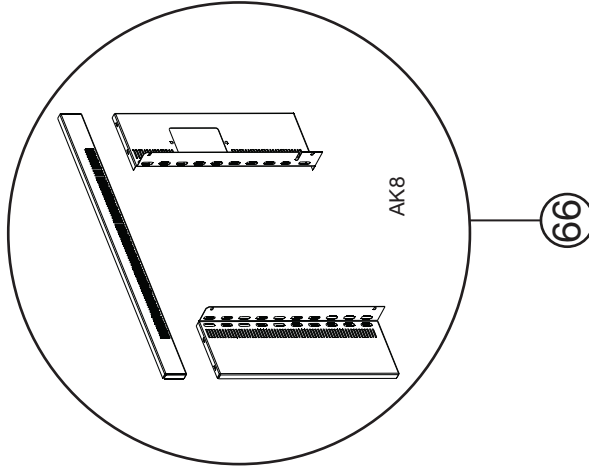
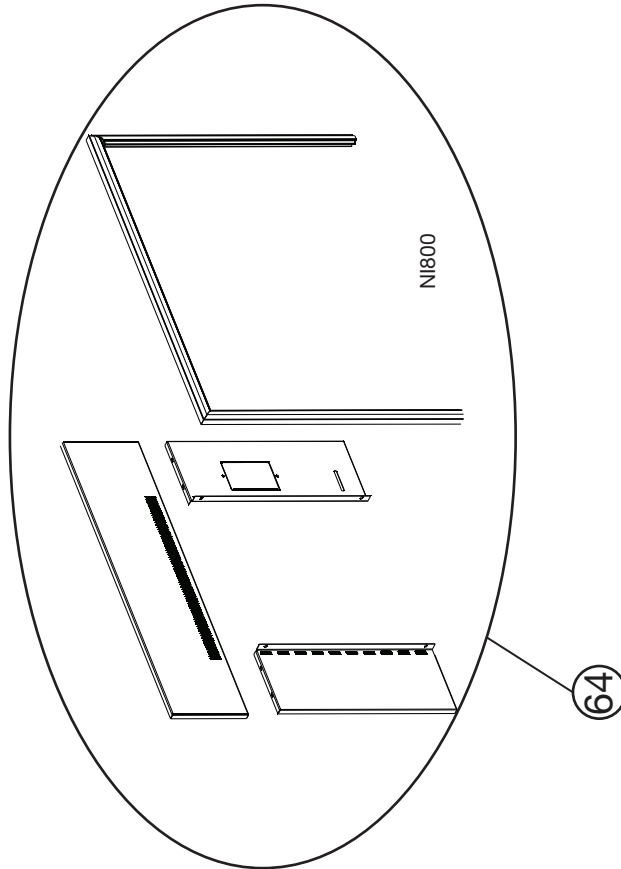
Items may not appear exactly as illustrated.

| Ref. No. | Part No.    | Description              | Stocked |
|----------|-------------|--------------------------|---------|
| 57       | W225-0195   | Door frame, black        |         |
| 57       | W225-0195G  | Door frame, gold         |         |
| 57       | W225-0195SC | Door frame, satin chrome |         |
| 58       | GS200-G     | Trivet, gold             |         |
| 58       | GS200-SS    | Trivet, satin chrome     |         |

| Ref. No. | Part No.  | Description                                | Stocked |
|----------|-----------|--|---------|
| 59       | PRPP40    | Porcelain reflective radiant panels        |         |
| 60*      | 114KT     | Outside air kit - 5ft (2" (51mm) diameter) |         |
| 61       | NP841KT-1 | Brick, refractory                          |         |
| 62       | NPL41     | Decorative log set                         |         |

\* Parts not illustrated.

12.2 NPS45 / NPI45 accessories



Items may not appear exactly as illustrated.

| Ref. No. | Part No. | Description                        | Stocked |
|----------|----------|------------------------------------|---------|
| 63*      | NPHE40-1 | Hopper extension (NPS45 only)**    |         |
| 64       | NI800    | 8" black finishing with black trim |         |
| 65*      | GICSK    | Arched cast iron surround          |         |
| 66       | AK8      | Adaptor kit (req'd for GICSK)      |         |
| 67*      | CISM     | Cast iron surround kit - black     |         |

\*\* Increases hopper capacity from 55lbs. to 100lbs. pellets

\* Parts not illustrated.

| Ref. No. | Part No. | Description                             | Stocked |
|----------|----------|---|---------|
| 67*      | CISKN    | Cast iron surround kit - Mojolica brown |         |
| 67*      | CISKB    | Cast iron surround kit - Mojolica blue  |         |
| 67*      | CISKF    | Cast iron surround kit - Mojolica green |         |
| 68       | AK9      | Adaptor kit (req'd for CISK)            |         |



## 13.0 troubleshooting

| <b>! WARNING</b>   |
|--|
| <b>TURN OFF THE ELECTRICAL POWER BEFORE SERVICING THE APPLIANCE.</b>   |
| <b>APPLIANCE MAY BE HOT, DO NOT SERVICE UNTIL APPLIANCE HAS COOLED.</b>  |
| <b>DO NOT USE ABRASIVE CLEANERS.</b>   |
| <b>WHEN CHECKING CONNECTIONS, INSTALLING JUMPER WIRES (FOR TEST PURPOSES ONLY) OR REPLACING COMPONENTS, UNPLUG APPLIANCE FROM THE RECEPTACLE TO PREVENT ELECTRICAL SHOCK OR DAMAGE TO THE COMPONENT.</b> |

**NOTE:** Many of the following tests will require that the side panels are removed from the appliance or the insert be removed from its cavity to access the components. Before troubleshooting always confirm that all components are clean and free of ash build up.

| SYMPTOM   | TEST SOLUTION  |
|---|--|
| <b>APPLIANCE SHUTS OFF AND THE #2 LIGHT FLASHES</b>   |  |
| Vacuum hose or fittings are blocked   | - Unhook the air hose from the vacuum switch and blow through it. If air flows freely, the hose and tube are fine. If air will not flow through the hose, use a wire coat hanger to clear the blockage.  |
| The air inlet, burnpot, interior combustion air chambers, combustion blower or exhaust pipe are blocked with ash or foreign material. | - Follow all cleaning procedures in the maintenance section of the manual.   |
| The firebox is not properly sealed.   | - Make sure the door is closed and that the gasket is in good shape. If the ash door has a latch, make sure the ash door is properly latched and the gasket is sealing well.   |
| Vent pipe is incorrectly installed.   | - Check to make sure the vent pipe installation meets the criteria in the manual.  |
| The vacuum switch wire connections are bad.   | - Check the connectors that attach the blue wires to the vacuum switch.  |
| The gray wires are pulled loose at the connector on the wiring harness.   | - Check to see if the blue wires are loose at the connector.   |
| Combustion blower failure.  | - With the appliance on, check to see if the combustion blower is running. If it is not, you will need to check for power going to the combustion blower. It should be at 115 volts. If there is power, the blower is defective. If there is not, see the next step.   |
| Control board not sending power to combustion blower.   | - If there is no current going to the combustion blower, check all wire connections. If all wire connections are properly connected, you have a defective control board.   |
| Control board not sending power to vacuum switch  | - There should be a 5-volt current (approximately) going to the vacuum switch after the appliance has been on for 30 seconds.  |
| Vacuum switch has failed (very rare).   | - To test the vacuum switch, you will need to disconnect the air hose from the body of the appliance. With the other end still attached to the vacuum switch, very gently suck on the loose end of the hose (Hint: remove the hose from the vacuum switch and the appliance first to see if it is clear). If you hear a click, the vacuum switch is working. <b>CAUTION: TOO MUCH VACUUM CAN DAMAGE THE VACUUM SWITCH.</b> |

| SYMPTOM  | TEST SOLUTION  |
|--|--|
| <b>Appliance SHUTS OFF AND THE #3 LIGHT FLASHES</b>  |  |
| The hopper is out of pellets   | - Refill the hopper.   |
| The hopper lid is open.  | - Close the hopper lid   |
| The burnpot is not seated completely into the burner housing.                                    | - Insure the burnpot locating notch engages with the ignitor and that the burnpot sits flat.   |
| The burnpot holes are blocked  | - Remove the burnpot and thoroughly clean it.  |
| The air inlet, the interior chambers, or the exhaust system has a partial blockage.              | - Follow all cleaning procedures in the maintenance section of the manual.   |
| The auger shaft is jammed.   | - Start by disconnecting the power supply and emptying the hopper.<br>- The auger shaft may be jammed. For more information see "JAMMED AUGER" section.  |
| The auger motor has failed.  | - Remove the auger motor from the auger shaft and try to run the unit. If the motor will turn, the shaft is jammed on something. If the motor will not turn, the motor is defective.   |
| The low limit switch has malfunctioned.  | - Temporarily bypass the low limit switch by disconnecting the two brown wires and connecting them together with a short piece of wire, then plug the appliance back in. If the appliance comes back on and works, you need to replace the low limit switch.<br>CAUTION: This is for testing only! Leaving the switch bypassed will cause the blowers to remain on constantly and the auger will continue to feed even if the fire is out. Do not operate the unit with the low limit switch bypassed. |
| The fuse on the control board has blown.   | - Remove the control board. If the fuse appears to be defective, replace it with a 5 amp 125 volt fuse. Plug the appliance back in and try to run the unit.  |
| The control board is not sending power to the low limit switch or other auger system components. | - There should be an approximate 5 volt current going to the low limit switch after the appliance has been on for 10 minutes.  |
| Flame has gone out in burn pot while at feed rate 1. A few unburned pellets are in the pot.      | - Feed rate is too low for the quality and moisture content of pellet fuel that is being used. Adjust trim of combustion blower down or auger motor up.  |
| <b>APPLIANCE SHUTS OFF AND #4 .LIGHT FLASHES.</b>  |  |
| The high limit switch has tripped.   | - This is a manual reset switch but should only be done by a qualified technician once the cause of failure has been determined.   |
| <b>APPLIANCE FEEDS PELLETS BUT WILL NOT IGNITE</b>   |  |
| Blockage in igniter tube or inlet for the ignitor tube.  | - Ensure that the air intake hole is clear, it is located on the side of the igniter housing on the back of the firewall.  |
| The burnpot is not seated completely into the burner housing.                                    | - Place the burnpot so that the locating notch engages with the ignitor and the burnpot is sitting flat  |
| Defective ignitor.   | - Put power directly to the ignitor and observe the tip of the ignitor from the front of the appliance. Within two minutes the tip should glow, if it does not, the ignitor is defective.  |
| The control board is not sending power to the ignitor.   | - Check the voltage going to the ignitor during start up. It should be at full current (115 volts). If the voltage is lower than full current, check for problems with the wiring. If no problems are found, the board is defective.   |
| <b>SMOKE SMELL IS COMING BACK INTO THE HOME</b>  |  |
| There is a leak in the vent pipe system  | - Inspect all the vent pipe connections. Make sure they are sealed with RTV silicone that has a temperature rating of 260°C (500°F) or higher. Seal joints with UL-181-AP foil tape and insure the square to round adapter piece on the combustion blower has been properly sealed with the same RTV.  |
| The gasket on the combustion blower has deteriorated.  | - Inspect both gaskets on the combustion blower to make sure they are in good shape. Replace if necessary.   |

**NOTE:** When the green light flashes it is indicating it is in pilot mode, or low burn. The heat level setting light will not change, and will still display the current manual setting of heat level. The only way to indicate that they are in pilot or low burn is when the power light is flashing green.

| SYMPTOM  | TEST SOLUTION  |
|--|--|
| <b>CONVECTION BLOWER SHUTS OFF AND COMES BACK ON</b>   |  |
| The convection blower is overheating and tripping the high limit switch  | - Try lubricating the convection blower and clean any dust off the windings and fan blades. If lubricating the blower does not help, the blower may be defective.  |
| Electronic control panel malfunction.  | - Test the current going to the convection blower. If there is no power being sent to the blower when it shuts off during operation, the control board is defective.   |
| <b>APPLIANCE WILL NOT FEED PELLETS BUT AUGER LIGHT COMES ON</b>  |  |
| Fuse on control board blew   | - Remove the control board. If the fuse appears to be defective, replace it with a 0.5 amp. 125 volt fuse. Plug the appliance back in and try to run the unit.   |
| High limit switch has tripped or is defective.   | - Wait 30-45 minutes for the appliance to cool and it should function normally. If it does not, unplug the appliance and temporarily bypass the high limit switch by disconnecting the two brown wires and connecting them together with a short piece of wire. Plug the appliance back in. If the appliance comes back on and works, you need to replace the high limit switch. CAUTION: This is for testing only! Do not run the appliance with this switch bypassed!  |
| Defective auger motor.   | - Remove the auger motor from the auger shaft and attempt to run the unit. If the motor turns then the shaft is jammed into something. If the motor will not turn, it is defective.  |
| Auger jam.   | - Empty the hopper and inspect<br>- Refer to the "JAMMED AUGER" section in the manual.   |
| Loose wire or connector.   | - Inspect all wires and connectors to the auger motor, high limit switch and the Molex connector   |
| <b>SOOT ACCUMULATES ON GLASS AT A FAST RATE - FLAME IS LAZY, DARK AND HAS BLACK TIPS AFTER APPLIANCE HAS BEEN ON FOR AWHILE, THE BURNPOT OVERFILLS</b> |  |
| Appliance or vent pipe is dirty, which restricts airflow through the burnpot   | - Follow all cleaning procedures in the maintenance section of the manual.   |
| Vent pipe is installed improperly.   | - Refer to the "VENTING" section in the manual to determine where the venting system is installed incorrectly.   |
| Burnpot holes are blocked.   | - Remove the burnpot and thoroughly clean it.  |
| Blockage in air intake pipe  | - Visually inspect the air intake pipe that leads into the burnpot for foreign material  |
| Circuit board malfunction  | - Time the fuel feed light at each setting (after the appliance has completed the start-up cycle). If auger motor runs constantly, the board is defective  |
| Poor quality pellets (applies to SOOT ACCUMULATES ON GLASS AT FAST RATE only).   | - The brand of pellets or batch of pellets that are being used may be of poor quality. If possible, try a different brand of pellets. You might also want to try a brand that is made from a different type of wood (softwood vs. hardwood). Different woods have different characteristics when being burned.   |
| The trim setting of the combustion blower on the high feed rate is too low (applies to SOOT ACCUMULATES ON GLASS AT FAST RATE only).                   | - Press and hold the auger feed button and the fan up to increase the combustion fan setting. If the #1 light is on, the appliance is currently on the lowest trim setting. If only the #3 light is on, the appliance is in the default setting. If the #5 light is on, the appliance is in the high trim for the combustion fan setting. If the appliance is being burned on one of the lower settings, advance to the next trim setting and try burning the appliance. |
| <b>VERY ACTIVE FLAME ON PILOT (LOW FEED)</b>   |  |
| Flame is very aggressive on low feed setting, consumption of pellets seem to be high.  | - Press and hold the auger feed button and the heat down to decrease the low feed rate setting. If only the #3 light is on, the appliance is in the default setting. Trim the feed rate down one setting, #2 light will be on. Trimming down #2, the #1 light will be on. Try burning the appliance  |
| <b>HIGH LIMIT SWITCH KEEPS TRIPPING</b>  |  |
| The convection blower is overheating and tripping the high limit switch.   | - Clean any dust from the winding and fan blades. If cleaning the blower does not help, the blower may be defective  |
| Power surge or brown-out situation.  | - A power surge, spike, or voltage drop could cause the high limit switch to trip. Check to see if a surge protector is being used on the appliance. If not, it is highly recommended.   |
| High limit switch is malfunctioning.   | - If no other problems are found, replace the high limit switch.   |

## 14.0 warranty

EN

NAPOLEON Pellet Appliances are manufactured under the strict Standard of the World Recognized ISO 9001 : 2015 Quality Management System.

NAPOLEON products are designed with superior components and materials, assembled by trained craftsmen who take great pride in their work. The complete appliance is thoroughly inspected by a qualified technician before packaging to

### NAPOLEON PELLET APPLIANCES PRESIDENT'S LIFETIME LIMITED WARRANTY

The following materials and workmanship in your new NAPOLEON Pellet Appliance are warranted against defects for as long as you own the appliance. This covers: the pellet hopper, outer shell, ceramic glass (thermal breakage only) and ash drawer.\*

The combustion chamber and heat exchanger are warranted against defects for a period of five years.

Electrical (110V) components and wearable parts are covered and NAPOLEON will provide replacement parts free of charge during the first year of the limited warranty. This covers: blowers, thermal switches and burn pot.\*

Labour related to warranty repair is covered free of charge during the first year. Repair work, however, requires the prior approval of an authorized company official. Labour costs to the account of NAPOLEON are based on a predetermined rate schedule and any repair work must be done through an authorized NAPOLEON dealer.

### CONDITIONS AND LIMITATIONS

NAPOLEON warrants its products against manufacturing defects to the original purchaser only. Registering your warranty is not necessary. Simply provide your proof of purchase along with the model and serial number to make a warranty claim. Provided that the purchase was made through an authorized NAPOLEON dealer your appliance is subject to the following conditions and limitations: Warranty coverage begins on the date of original installation.

This factory warranty is non-transferable and may not be extended whatsoever by any of our representatives.

The Pellet Appliance must be installed by an authorized service technician or contractor. Installation must be done in accordance with the installation instructions included with the product and all local and national building and fire codes.

This limited warranty does not cover damages caused by misuse, lack of maintenance, accident, alterations, abuse or neglect. Operating the appliance on high for extended periods of time, is neglect. Parts installed from other manufacturers will nullify this warranty.

This limited warranty further does not cover any scratches, dents, corrosion or discoloring caused by excessive heat, abrasive and chemical cleaners nor chipping on porcelain enamel parts, nor any venting components used in the installation of the appliance.

In the first year only, this warranty extends to the repair or replacement of warranted parts which are defective in material or workmanship provided that the product has been operated in accordance with the operation instructions and under normal conditions. After the first year, with respect to the President's Limited Lifetime Warranty, NAPOLEON may, at its discretion, fully discharge all obligations with respect to this warranty by refunding to the original warranted purchaser the wholesale price of any warranted but defective parts).

After the first year, NAPOLEON will not be responsible for installation, labour or any other costs or expenses related to the reinstallation of a warranted part, and such expenses are not covered by this warranty.

Notwithstanding any provisions contained in the President's Limited Lifetime Warranty, NAPOLEON's responsibility under this warranty is defined as above and it shall not in any event extend to any incidental, consequential or indirect damages.

This warranty defines the obligations and liability of NAPOLEON with respect to the NAPOLEON pellet appliance and any other warranties expressed or implied with respect to this product, its components or accessories are excluded.

NAPOLEON neither assumes, nor authorizes any third party to assume, on its behalf, any other liabilities with respect to the sale of this product. NAPOLEON will not be responsible for: over-firing, downdrafts, spillage caused by environmental conditions such as rooftops, buildings, nearby trees, hills, mountains, inadequate vents or ventilation, excessive venting configurations, insufficient makeup air, or negative air pressures which may or may not be caused by mechanical systems such as exhaust blowers, furnaces, clothes dryers, etc. Any damages to appliance, combustion chamber, heat exchanger, brass trim or other component due to water, weather damage, long periods of dampness, condensation, damaging chemicals or cleaners will not be the responsibility of NAPOLEON.

Regular cleaning of the fine ash generated during the operation of this appliance is a necessary part of maintaining your pellet appliance. Failure of any components, which is attributed to poor maintenance, is not warrantable and will not be covered by this policy. NAPOLEON reserves the right to have its representative inspect any product or part thereof prior to honouring any warranty claim.

All parts replaced under the President's Limited Lifetime Warranty Policy are subject to a single claim.

During the first 10 years NAPOLEON will replace or repair the defective parts covered by the lifetime warranty at our discretion free of charge. From 10 years to life, NAPOLEON will provide replacement parts at 50% of the current retail price.

All parts replaced under the warranty will be covered for a period of 90 days from the date of their installation.

The manufacturer may require that defective parts or products be returned or that digital pictures be provided to support the claim. Returned products are to be shipped prepaid to the manufacturer for investigation. If a product is found to be defective, the manufacturer will repair or replace such defect.

Before shipping your appliance or defective components, your dealer must obtain an authorization number. Any merchandise shipped without authorization will be refused and returned to sender.

Shipping costs are not covered under this warranty.

Additional service fees may apply if you are seeking warranty service from a dealer.

Warranty labour allowance is only for the replacement of the warranted part. Travel, diagnostic tests, shipping and other related charges are not covered by this warranty.

ALL SPECIFICATIONS AND DESIGNS ARE SUBJECT TO CHANGE WITHOUT PRIOR NOTICE DUE TO ON-GOING PRODUCT IMPROVEMENTS. NAPOLEON IS A REGISTERED TRADEMARK OF WOLF STEEL LTD.



# NAPOLEON CELEBRATING OVER 40 YEARS OF HOME COMFORT PRODUCTS



7200, Route Transcanadienne, Montréal, Québec H4T 1A3  
24 Napoleon Road, Barrie, Ontario, Canada L4M 0G8  
214 Bayview Drive, Barrie, Ontario, Canada L4N 4Y8  
103 Miller Drive, Crittenden, Kentucky, USA 41030

Phone: 1-866-820-8686  
[napoleonproducts.com](http://napoleonproducts.com)



INSTALLATEUR : LAISSEZ CE MANUEL AVEC L'APPAREIL.  
PROPRIÉTAIRE : CONSERVEZ CE MANUEL POUR CONSULTATION ULTÉRIEURE.  
NE LAISSEZ PAS LES ENFANTS OU AUTRES INDIVIDUS À RISQUE SEULS À PROXIMITÉ DE L'APPAREIL.



# INSTRUCTIONS D'INSTALLATION ET D'OPÉRATION

LE MODÈLE NPS45/NPI45 RESPECTE L'AGENCE DE PROTECTION DE L'ENVIRONNEMENT AMÉRICAIN (E.P.A) 2015 ES LIMITES D'ÉMISSIONS DEGRANULÉS CARBURANT STANDARD POUR LES POÊLE AUX GRANULES APRÈS LE 15 MAI 2015, 40 C.F. R. SECTION 60. CES POÊLES ONT ÉTÉ TESTÉS ET HOMOLOGUÉS PAR INTERTEK TESTING SERVICES SELON LES NORMES:ASTM E 1509, UL 1482, ULC S627 ET ULC S628.

FR

**NPS45**  
POÊLE AUX GRANULES

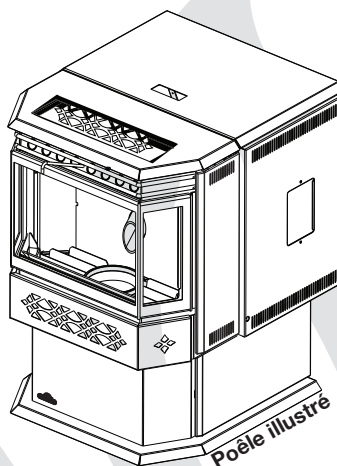
**NPI45**  
ENCASTRÉ AUX GRANULES

## CONSIGNES DE SÉCURITÉ

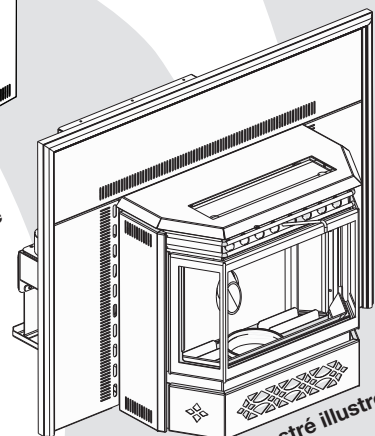
### **AVERTISSEMENT**

VEUILLEZ LIRE TOUT LE MANUEL AVANT D'INSTALLER OU D'UTILISER LE POÊLE AUX GRANULES. Si le poêle n'est pas installé correctement, un incendie pourrait s'ensuivre causant des blessures ou même la mort.

- Consultez les autorités compétentes (comme le service municipal du bâtiment, le service des incendies, le bureau de prévention des incendies, etc.) afin de déterminer si vous avez besoin d'un permis d'installation.
- Contacter les autorités locales du bâtiment ou du service des incendies au sujet des restrictions et des exigences d'inspections de l'installation dans votre région.
- L'appareil est chaud lorsqu'il fonctionne. Tenir les enfants, les vêtements et les meubles à l'écart. Le contact peut causer des brûlures.
- N'allumez pas votre feu avec des produits chimiques ou des liquides tels que de l'essence, de l'huile à moteur, etc.
- Ne brûlez pas de déchets, des résidus de tonte de pelouse, de caoutchouc, des produits pétroliers résiduels, de la peinture ou du diluant / de solvants, de plastique, des matériaux contenant de l'amiante, des débris de construction, des traverses de chemin de fer ou de bois traités, du fumier ou des restes d'animaux, du bois de grève imprégné de sel ou des matériaux salés, du bois non séché, de papiers de couleur, de cartons, des contreplaqués ou des panneaux de particules.



Poêle illustré



Encastré illustré

POUR UTILISATION INTÉRIEURE SEULEMENT!

### **AVERTISSEMENT**

LA VITRE CHAUDE CAUSERA DES BRÛLURES.

NE PAS TOUCHER LA VITRE AVANT QU'ELLE AIT REFROIDI.

NE JAMAIS LAISSER LES ENFANTS TOUCHER LA VITRE.



APPOSEZ L'ÉTIQUETTE DU NUMÉRO DE SÉRIE DU CARTON



N° de série XXXXXX000000  
N° DE MODÈLE

Wolf Steel Ltd., 24 Napoleon Rd., Barrie, ON, L4M 0G8 Canada /  
103 Miller Drive, Crittenden, Kentucky, USA, 41030  
Téléphone 1 (866) 820-8686 • www.napoleonfoyers.com • hearth@napoleonproducts.com

# table des matières

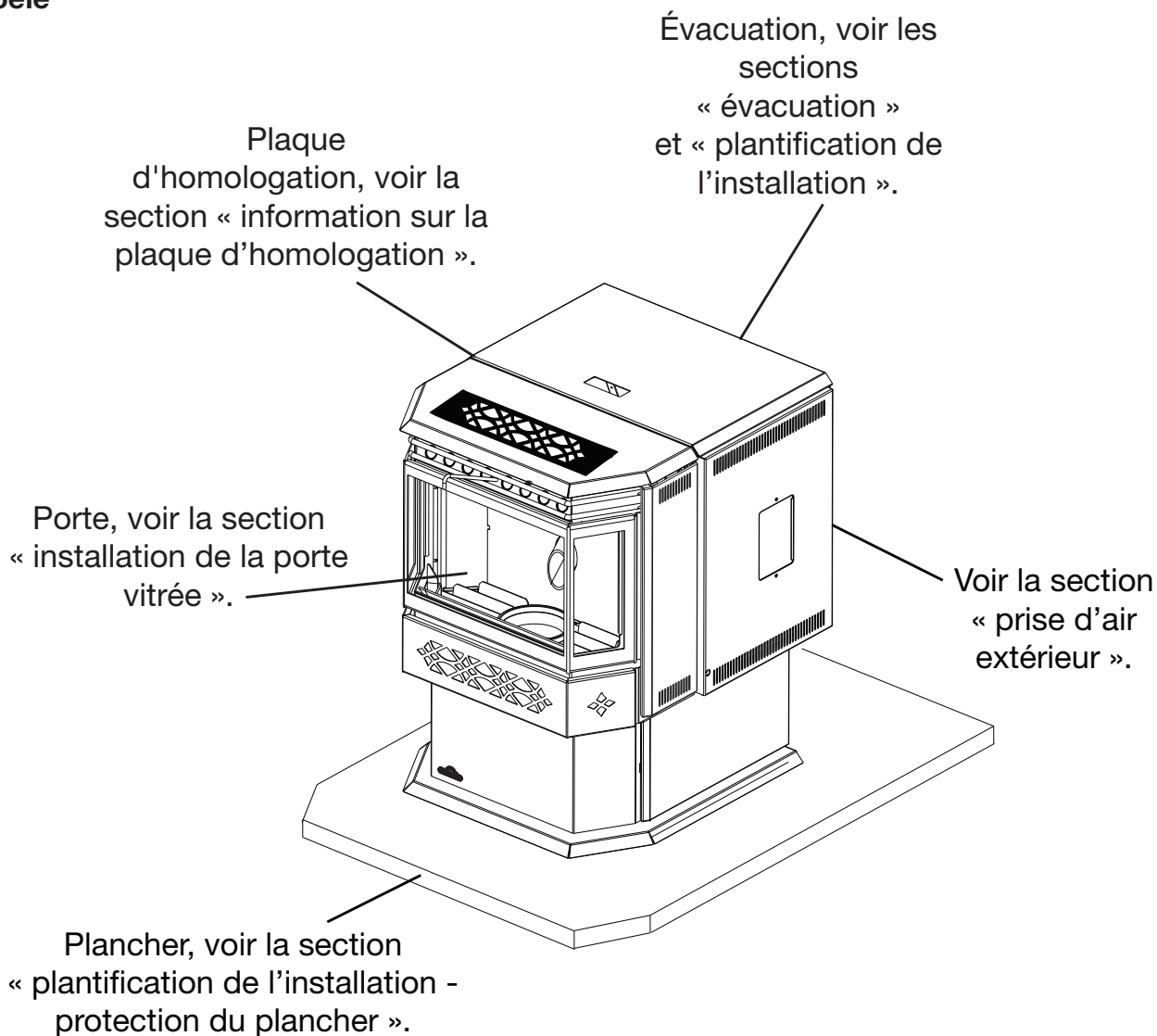
|            |   |           |             |   |            |
|------------|---|-----------|-------------|---|------------|
| <b>1.0</b> | <b>vue d'ensemble de l'installation</b>                                       | <b>57</b> | <b>6.0</b>  | <b>finitions</b>  | <b>83</b>  |
| 1.1        | poêle   | 57        | 6.1         | installation de la porte vitrée                           | 83         |
| 1.2        | encastré  | 58        | 6.2         | finition de l'encastré                                    | 84         |
| <b>2.0</b> | <b>introduction</b>   | <b>59</b> | 6.3         | installation de la grille ornementale                     | 84         |
| 2.1        | dimensions  | 60        | <b>7.0</b>  | <b>schéma de câblage</b>                                  | <b>85</b>  |
| 2.1.1      | poêle   | 60        | <b>8.0</b>  | <b>instructions de fonctionnement</b>                     | <b>86</b>  |
| 2.1.2      | NPI45 illustré avec contour NI800   | 60        | 8.1         | chargement adéquat des granules                           | 86         |
| 2.1.3      | NPI45 illustré avec panneaux d'extension AK8 et contour en fonte GICSK        | 61        | 8.2         | vérification pré-démarrage                                | 86         |
| 2.1.4      | NPI45 illustré avec panneaux d'extension AK0 et contour en font CISK          | 62        | 8.3         | allumage manuel de l'appareil                             | 86         |
| 2.2        | spécifications  | 63        | 8.4         | instructions d'allumage                                   | 87         |
| 2.2.1      | spécifications du chauffage   | 63        | 8.5         | commandes   | 87         |
| 2.3        | instructions générales  | 63        | 8.6         | réglages des commandes                                    | 88         |
| 2.4        | information générale  | 64        | 8.7         | installation d'un thermostat ou de la télécommande        | 89         |
| 2.4.1      | qualité des granules  | 64        | 8.8         | directives d'arrêt  | 89         |
| 2.4.2      | caractéristiques de sécurité  | 65        | <b>9.0</b>  | <b>bruits de fonctionnement normaux</b>                   | <b>90</b>  |
| 2.4.3      | conformité aux normes EPA   | 65        | <b>10.0</b> | <b>maintenance</b>  | <b>91</b>  |
| 2.5        | information sur la plaque d'homologation                                      | 66        | 10.1        | quotidien   | 91         |
| <b>3.0</b> | <b>planification de l'installation</b>  | <b>67</b> | 10.1.1      | ouverture de la porte vitrée                              | 91         |
| 3.1        | installation de l'appareil  | 67        | 10.1.2      | enlèvement des cendres                                    | 91         |
| 3.2        | options d'installation  | 67        | 10.1.3      | inspection du brûleur                                     | 91         |
| 3.3        | poêle dégagements minimaux aux matériaux combustibles                         | 68        | 10.1.4      | nettoyage des pièces plaquées                             | 91         |
| 3.3.1      | installation droite   | 68        | 10.1.5      | nettoyage de la porte vitrée                              | 92         |
| 3.3.2      | installation de coin  | 68        | 10.1.6      | nettoyage des tubes d'échangeur de chaleur                | 92         |
| 3.3.3      | exigences minimales de l'installation dans une alcôve                         | 69        | 10.1.7      | assurez-vous que les granules ne s'accumulent pas         | 93         |
| 3.4        | protection de plancher  | 70        | 10.1.8      | nettoyage du brûleur                                      | 93         |
| 3.5        | prise d'air extérieur   | 71        | 10.2        | toutes les 2 semaines (ou à tous les 10 sacs de granules) | 94         |
| 3.6        | maison mobile installation  | 71        | 10.2.1      | nettoyer le caisson à l'aspirateur                        | 94         |
| <b>4.0</b> | <b>évacuation</b>   | <b>72</b> | 10.3        | tous les 6 mois (ou à chaque 2 tonnes de granules)        | 95         |
| 4.1        | type d'évacuation   | 72        | 10.3.1      | nettoyage du réservoir avec un aspirateur                 | 95         |
| 4.2        | installation du système d'évacuation  | 72        | 10.3.2      | formation de suie et de cendres fines                     | 95         |
| 4.3        | évacuation de l'appareil aux granules   | 72        | 10.3.3      | nettoyage du conduit d'évacuation vertical                | 96         |
| 4.4        | terminaison   | 73        | 10.3.4      | nettoyage du boîtier d'évacuation (encastré seulement)    | 96         |
| 4.5        | emplacements et dégagements minimaux de la terminaison                        | 73        | 10.3.5      | nettoyage du ventilateur d'évacuation                     | 96         |
| 4.5.1      | terminaison horizontale à travers un mur                                      | 74        | 10.3.6      | vérification de l'étanchéité                              | 97         |
| 4.5.2      | course verticale et terminaison horizontale à travers un mur                  | 74        | 10.3.7      | nettoyage de l'évacuation                                 | 97         |
| 4.5.3      | dégagements verticaux minimaux à l'intérieur                                  | 75        | 10.4        | dans l'éventualité où la vis sans fin bloque              | 98         |
| 4.5.4      | installation avec une cheminée de classe A                                    | 75        | <b>11.0</b> | <b>rechanges</b>  | <b>99</b>  |
| 4.5.5      | installation dans une cheminée de maçonnerie                                  | 76        | 11.1        | rechanges communs   | 100        |
| 4.6        | exemples d'installation d'évacuation de l'encastré                            | 77        | 11.2        | rechanges de NSP45  | 101        |
| 4.6.1      | installation typique dans un foyer de maçonnerie existant                     | 77        | 11.3        | rechanges de NPI45  | 102        |
| 4.6.2      | foyer préfabriqué   | 78        | <b>12.0</b> | <b>accessoires</b>  | <b>103</b> |
| <b>5.0</b> | <b>ossature (encastré seulement)</b>  | <b>79</b> | 12.1        | accessoires communs                                       | 103        |
| 5.1        | installation dans une enceinte combustible                                    | 80        | 12.2        | accessoires de NPS45 / NPI45                              | 104        |
| 5.2        | dégagements minimaux de l'enceinte  | 81        | <b>13.0</b> | <b>guide de dépannage</b>                                 | <b>105</b> |
| 5.3        | dégagements minimaux aux matériaux combustibles                               | 81        | <b>14.0</b> | <b>garantie</b>   | <b>109</b> |
| 5.4        | dégagements minimaux de la tablette   | 82        | <b>15.0</b> | <b>historique de service</b>                              | <b>110</b> |
| 5.5        | instructions de conversion de l'évacuation arrière l'évacuation sur le dessus | 82        | <b>16.0</b> | <b>notes</b>  | <b>111</b> |

**NOTE :** Les modifications, autres que les éditoriales, sont indiquées par une ligne verticale dans la marge.



# 1.0 vue d'ensemble de l'installation

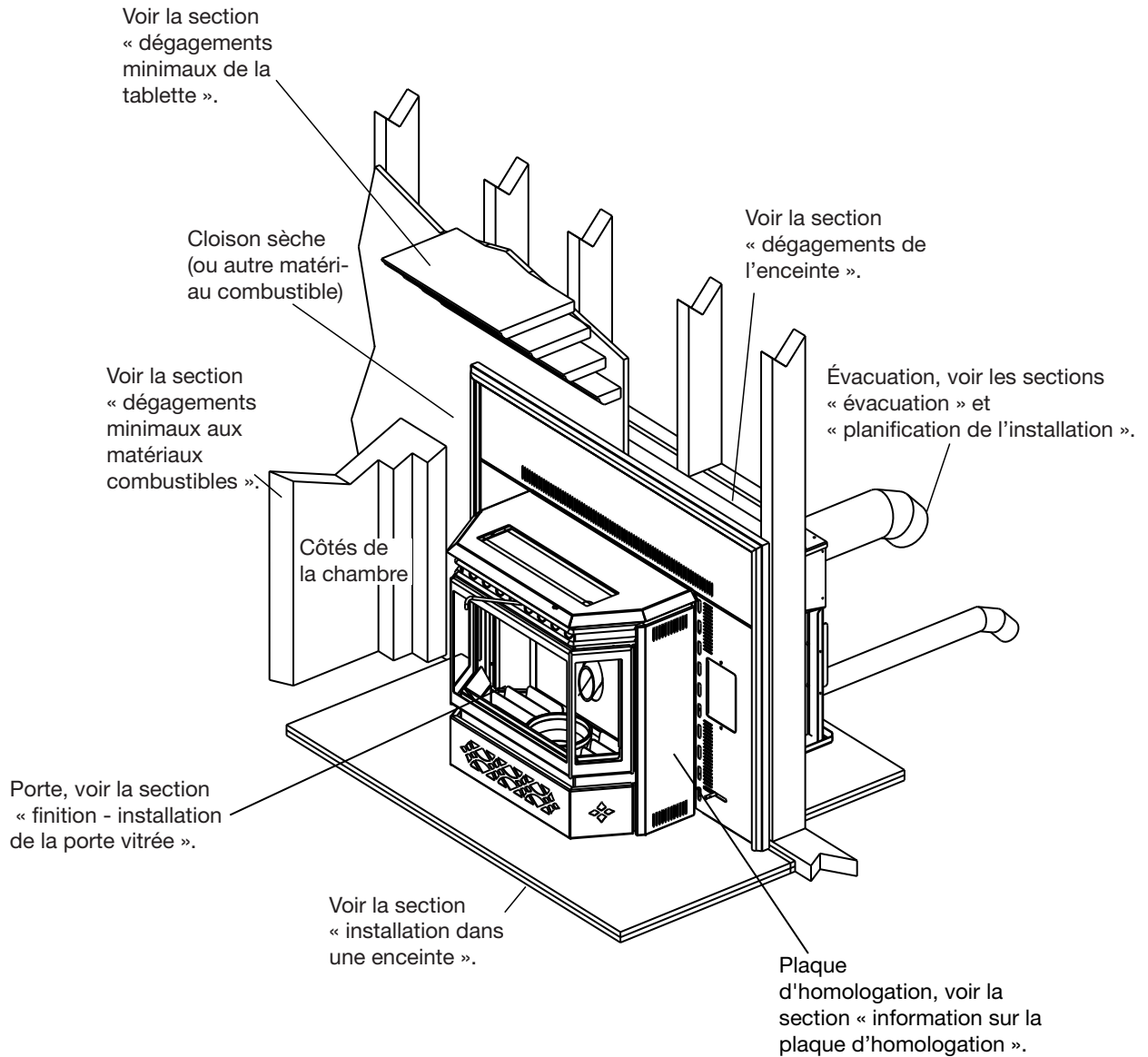
## 1.1 poêle



**⚠ AVERTISSEMENT:** Ce produit peut vous exposer à des substances chimiques incluant le plomb et les composés de plomb qui, selon l'État de Californie, causeraient le cancer, et des substances chimiques incluant le monoxyde de carbone qui, selon d'État de Californie, causeraient des malformations congénitales ou autres dangers pour la reproduction. Pour de plus amples renseignements, visitez le [www.P65Warnings.ca.gov](http://www.P65Warnings.ca.gov).

## 1.2 encastré

FR



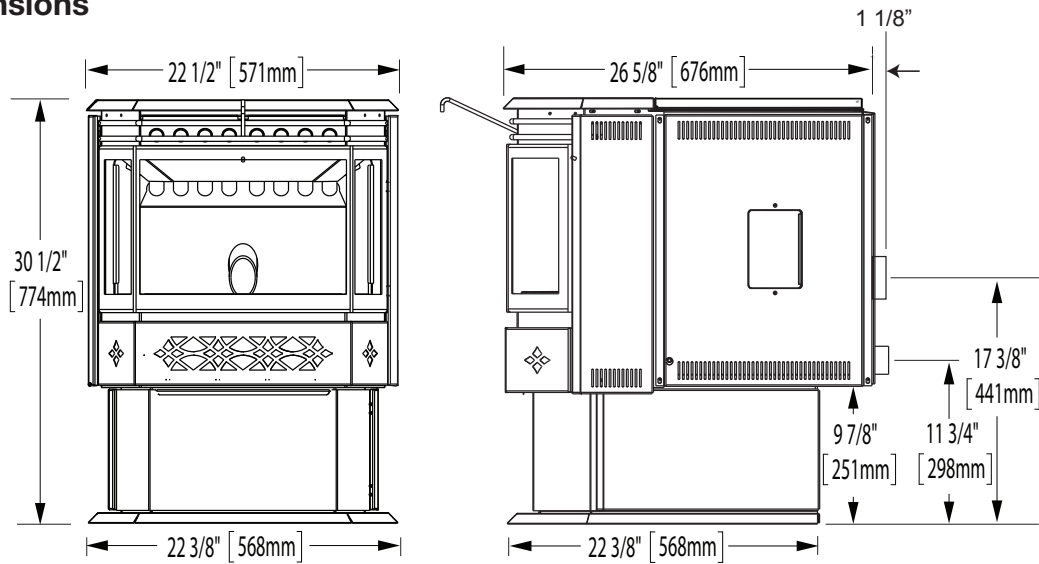
## 2.0 introduction

### AVERTISSEMENT

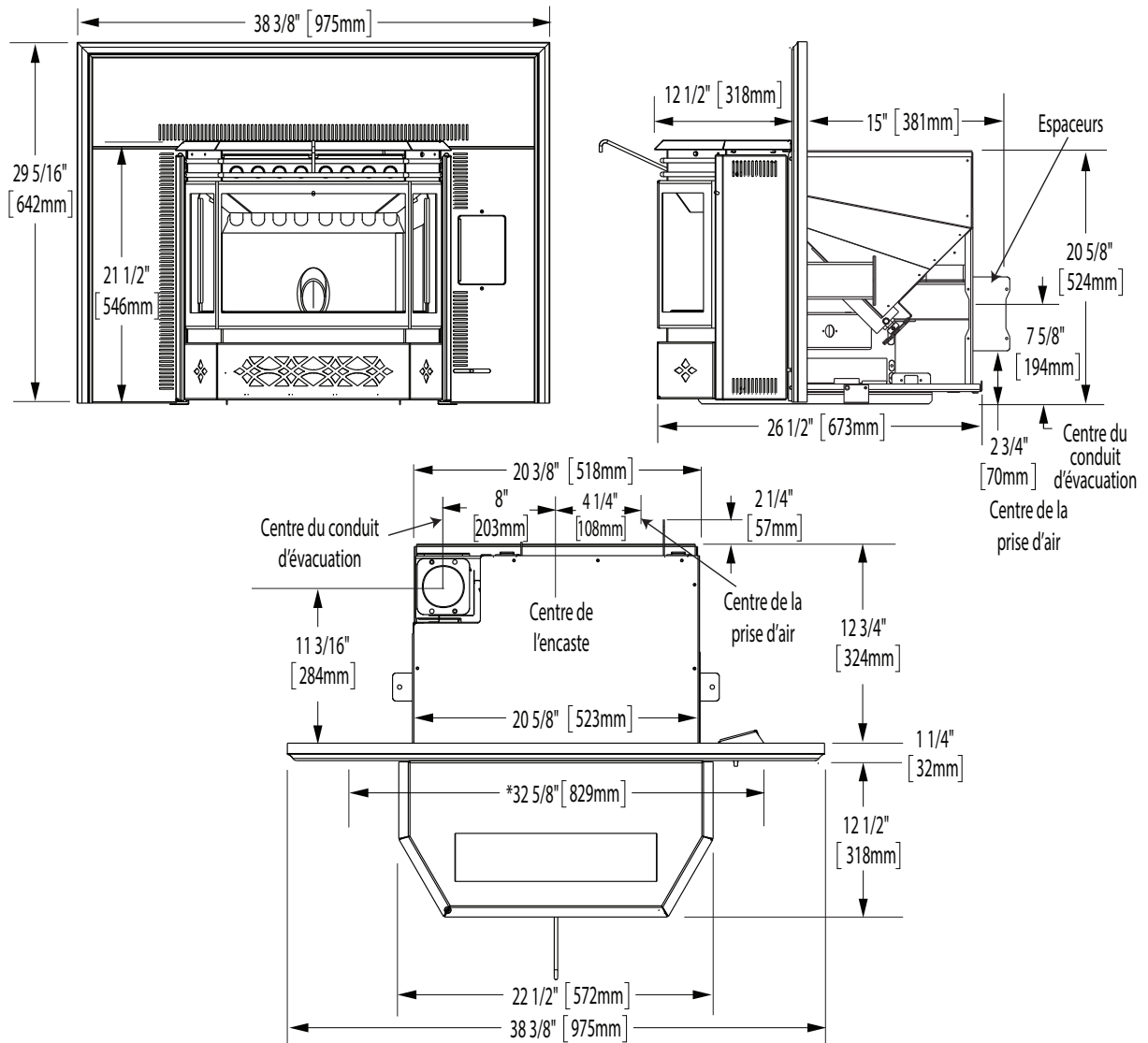
- CET APPAREIL EST CHAUD LORSQU'IL FONCTIONNE ET PEUT CAUSER DE GRAVES BRÛLURES EN CAS DE CONTACT.
- Ne faites pas fonctionner l'appareil avant d'avoir lu et compris les instructions d'opération. Omettre d'utiliser l'appareil selon les instructions d'opération pourrait causer un incendie ou des blessures.
- N'essayez jamais de réparer ou de remplacer les pièces de cet appareil à moins que des instructions soient fournies à cet effet dans ce manuel. Tout autre travail devrait être effectué par un technicien qualifié.
- Risque de brûlures. L'appareil doit être éteint et refroidi avant d'effectuer un entretien.
- Ne faites pas fonctionner tant que tous les composants ne sont pas complètement installés.
- N'installez pas de composants endommagés ou incomplets ni des composants substitués.
- Risque de coupures et d'éraflures. Portez des gants protecteurs et des lunettes de sécurité lors de l'installation. Les bordures des pièces de métal peuvent être coupantes.
- Les adultes et particulièrement les enfants doivent être sensibilisés aux risques que représentent les surfaces exposées à des températures élevées. Ils doivent s'en tenir éloignés pour éviter de se brûler ou que leurs vêtements ne prennent feu. Les jeunes enfants et autres personnes sont sujets aux brûlures accidentelles. Une barrière de protection est recommandée si des individus à risque se trouvent dans la maison. Afin de restreindre l'accès à l'appareil, installez une barrière de protection ajustable pour garder les jeunes enfants ou autres personnes à risque hors de la pièce et loin des surfaces chaudes.
- Les vêtements et autres matériaux combustibles ne doivent pas être posés sur l'appareil ou à proximité.
- En raison des températures élevées, l'appareil devrait être placé loin des endroits passants et loin des meubles et des rideaux.
- Assurez-vous de disposer de mesures de sécurité adéquates pour empêcher les jeunes enfants de toucher aux surfaces chaudes.
- Même une fois que l'appareil est éteint, la vitre et/ou le pare-étincelles demeureront chauds pendant un temps prolongé.
- Consultez votre détaillant local d'appareil pour connaître les grillages de sécurité et les écrans offerts pour protéger les enfants des surfaces chaudes. Ces grillages de sécurité et ces écrans doivent être fixés au plancher.
- Les grillages de sécurité ou écrans enlevés pour faire l'entretien devront être remis en place avant d'utiliser l'appareil.
- Il est primordial de garder propres les compartiments de contrôle, les brûleurs, la soufflerie et les bouches d'air de l'appareil. L'appareil doit être inspecté avant la première utilisation et au moins une fois l'an par un spécialiste en entretien. Un entretien plus fréquent pourrait être nécessaire en raison des peluches provenant des tapis, literie, etc. L'emplacement de l'appareil doit être gardé libre de tous matériaux combustibles, essence ou autres liquides et vapeurs inflammables.
- Cet appareil ne devra être modifié en aucun cas.
- N'utilisez pas cet appareil si une partie quelconque a été submergée. Contactez immédiatement un technicien de service qualifié pour inspecter l'appareil et pour remplacer toute pièce du système de contrôle qui aurait été submergée.
- Ne pas opérer l'appareil lorsque la porte vitrée est enlevée, fissurée ou brisée. Le remplacement de la vitre devra être effectué par un technicien de service certifié ou qualifié. La porte vitrée et le tiroir à cendres doivent demeurer fermés et verrouillés durant le fonctionnement.
- Ne frappez pas et ne claquez pas la porte vitrée de l'appareil.
- Seules les portes/façades certifiées pour cet appareil peuvent être utilisées avec cet appareil.
- Gardez les matériaux d'emballage hors de la portée des enfants et mettez ces matériaux au rebut de façon sécuritaire. Comme tous les emballages de plastique, ces matériaux ne sont pas des jouets et doivent demeurer hors de la portée des enfants et des bébés.
- Si cet appareil n'est pas installé de façon adéquate, un incendie pourrait s'ensuivre. N'exposez pas l'appareil aux éléments (c.-à-d. la pluie, etc.) et gardez-le au sec en tout temps. Des matériaux isolants mouillés dégageront une odeur lors du fonctionnement de l'appareil.
- La cheminée doit être en bon état et ne pas être fêlée. Nettoyez la cheminée au moins deux fois par année et lorsque nécessaire.
- Cet appareil est conçu et approuvé pour brûler des granules de bois seulement. L'utilisation de tout autre type de combustible annulera votre garantie ainsi que les caractéristiques de sécurité. Ne brûlez pas de déchets, des résidus de tonte de pelouse, de caoutchouc, des produits pétroliers résiduels, de la peinture ou du diluant / de solvants, de plastique, des matériaux contenant de l'amiante, des débris de construction, des traverses de chemin de fer ou de bois traités, du fumier ou des restes d'animaux, du bois de grève imprégné de sel ou des matériaux salés, du bois non séché, de charbon, de papiers de couleur, de cartons, des contreplaqués ou des panneaux de particules.
- N'allumez pas votre feu avec des produits chimiques ou des liquides tels que de l'essence, de l'huile à moteur, etc.
- Les cendres doivent être mises dans un contenant métallique avec un couvercle hermétique et déposées sur une surface incombustible suffisamment éloignée de la maison ou de toute structure.
- Votre appareil nécessite un entretien et un nettoyage périodique. Négliger cet entretien peut causer des refoulements de fumée.
- Le système d'évacuation doit être installé correctement et parfaitement droit. Nous vous conseillons de sceller les joints du système d'évacuation avec un scellant de silicone de 500 °F (260 °C) minimum. Installez-le conformément aux instructions du fabricant du système d'évacuation.
- Assurez-vous de respecter les dégagements aux matériaux combustibles lorsque vous installez un manteau ou des tablettes au-dessus de l'appareil. Les téléviseurs et autres composants électroniques soumis à des températures élevées peuvent fondre, se déformer, se décolorer et entraîner des défaillances prématurées de ces appareils.
- Cet appareil ne fonctionnera pas lors d'une panne électrique. Si une panne survient, vérifiez si de la fumée s'échappe de l'appareil et ouvrez une fenêtre au besoin.
- Gardez tout objet hors du réservoir.
- Débranchez le cordon d'alimentation avant d'effectuer un entretien. **NOTE: Mettre le bouton d'alimentation en granules à « OFF » ne coupe pas le courant à l'appareil.**
- Ne jetez pas ce manuel. Ce manuel contient des instructions de fonctionnement et d'entretien importantes dont vous aurez besoin ultérieurement. Suivez toujours les instructions de ce manuel.
- En aucun cas, vous ne devez utiliser du bois de chauffage ou des bûches artificielles dans cet appareil. Leur usage pourrait causer un incendie.
- Cet appareil doit être branché dans une prise standard de 115 V, 50 Hz avec mise à la terre. N'utilisez pas d'adaptateur de prise et ne coupez pas la pointe de mise à la terre. Ne faites pas passer le cordon d'alimentation au devant, au-dessus, ou en dessous de l'appareil.
- Si cet appareil est installé dans une maison mobile, il doit être fixé au plancher, raccordé à une prise d'air extérieur et NE DOIT PAS ÊTRE INSTALLÉ DANS UNE CHAMBRE À COUCHER (selon les exigences du H.U.D.). Vérifiez auprès des autorités locales du bâtiment.
- Le système d'évacuation devrait être inspecté et nettoyé au moins une fois par année pour prévenir toute accumulation de suie ou de créosote.
- Cet appareil peut devenir très chaud. Vous DEVEZ porter des gants antichaleur lorsque vous nettoyez ou manipulez cet appareil.

## 2.1 dimensions

### 2.1.1 poêle

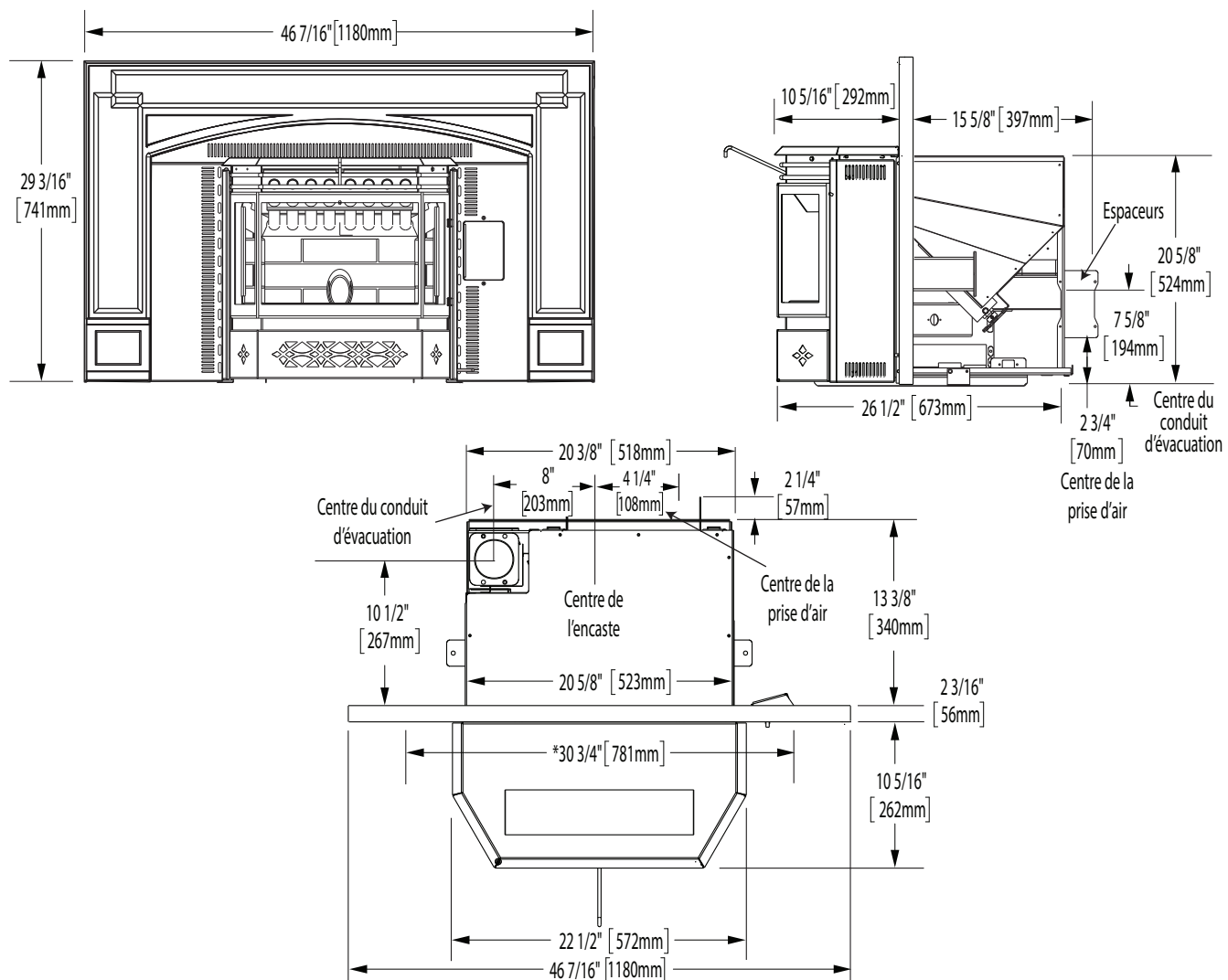


### 2.1.2 NPI45 illustré avec contour NI800



\* L'ouverture avant du foyer ou de l'enceinte doit avoir cette largeur afin de pouvoir installer le contour à égalité avec le mur fini et centré dans l'ouverture.

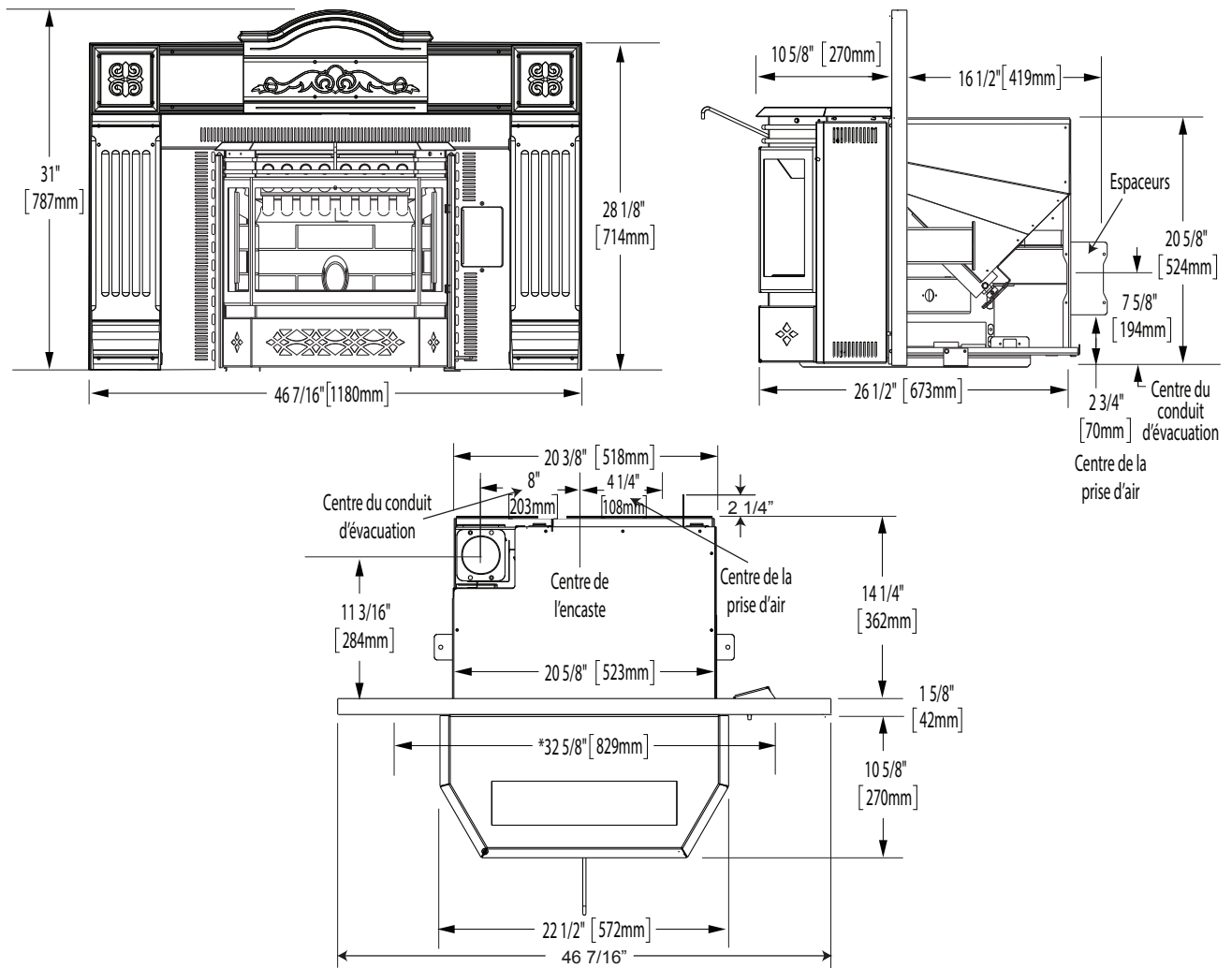
### 2.1.3 NPI45 illustré avec panneaux d'extension AK8 et contour en fonte GICSK



\* L'ouverture avant du foyer ou de l'enceinte doit avec cette largeur afin de pouvoir installer le contour à égalité avec le mur fini et centré dans l'ouverture.

## 2.1.4 NPI45 illustré avec panneaux d'extension AK9 et contour en font CISK

FR



\* L'ouverture avant du foyer ou de l'enceinte doit avoir cette largeur afin de pouvoir installer le contour à égalité avec le mur fini et centré dans l'ouverture.

## 2.2 spécifications

|  |  |
|--|--|
| Spécifications électriques                 | 115 V, 3,6 A, 60 Hz  |
| Watts durant l'allumage                    | 400 (approximativement)  |
| Watts durant le fonctionnement             | 180 (approximativement)  |
| Largeur du NPS45                           | 22 3/8" (568mm)  |
| Hauteur du NPS45                           | 30 1/2" (775mm)  |
| Profondeur du NPS45                        | 26 5/8" (676mm)  |
| Poids                                      | 210 livres (96kg)  |
| Collet d'évacuation                        | 3" (76mm)  |
| Collet de prise d'air                      | 2" (51mm)  |
| Capacité du réservoir du NPS45             | 55 livres (25kg)   |
| Capacité du réservoir du NPI45             | 45 livres (20kg)   |
| Dimension minimale de l'ouverture du foyer | Devant : 32 5/8" (829mm)* L x 20 5/8" (532mm) H x 14 1/4" (362mm) P<br>Arrière : 20 3/8" (518mm) L |

\* Afin d'installer le contour à égalité avec le mur fini et centré dans l'ouverture, l'ouverture avant du foyer ou de l'enceinte doit avoir une largeur de 32 5/8".

### 2.2.1 spécifications du chauffage

|   |  |
|---|--|
| Surface chauffée maximale approximative (en pieds carrés)*  | 800 à 2000 pi. ca. (243-610 mètre ca.) |
| Taux de combustion (livres par heure)**   | 1,0 à 5,0                              |
| BTU/hr**  | 8 500 à 42 500                         |
| Durée de combustion maximale à combustion lente**   | 55 heures (NPS45), 45 heures (NPI45)   |
| * La surface chauffée variera selon le plan d'étage de la maison, le degré d'isolation et la température extérieure. Elle variera aussi selon la taille des granules, leur qualité et leur taux d'humidité.                   |  |
| ** Des petits granules auront pour effet d'augmenter ou de diminuer les taux de combustion et les durées de combustion spécifiés. Selon la qualité des granules, des variations de plus ou moins 20 % peuvent être observées. |  |

## 2.3 instructions générales

|   |
|---|
| <b>! AVERTISSEMENT</b>  |
| <b>CET APPAREIL DOIT ÊTRE RACCORDÉ ÉLECTRIQUEMENT PAR UN ÉLECTRICIEN QUALIFIÉ CONFORMÉMENT AUX CODES LOCAUX. EN L'ABSENCE DE CODES LOCAUX, UTILISEZ LA VERSION COURANTE DU CODE CANADIEN DE L'ÉLECTRICITÉ CSA C22.1 (AU CANADA) OU LE NATIONAL ELECTRICAL CODE ANSI/NFPA 70 AUX ÉTATS-UNIS.</b> |
| <b>CET APPAREIL NE DOIT PAS ÊTRE RACCORDÉ AU CONDUIT D'UNE CHEMINÉE DESSERVANT UN AUTRE APPAREIL. NE BRANCHEZ À AUCUN AUTRE CONDUIT OU SYSTÈME DE DISTRIBUTION D'AIR.</b>   |
| <b>PRÉVOYEZ UN ACCÈS SUFFISANT POUR ENTRETENIR ET OPÉRER L'APPAREIL.</b>  |
| <b>ASSUREZ-VOUS D'UNE QUANTITÉ SUFFISANTE D'AIR DE CIRCULATION.</b>   |
| <b>N'OBSTRUEZ JAMAIS L'OUVERTURE SUR LE DEVANT DE L'APPAREIL.</b>   |
| <b>LES OBJETS PLACÉS DEVANT L'APPAREIL DOIVENT ÊTRE GARDÉS À UNE DISTANCE D'AU MOINS 48" (121,9cm) DE L'AVANT DE L'APPAREIL.</b>  |

Nous vous remercions d'avoir choisi le poêle aux granules Wolf Steel Itée. Cet appareil est conçu pour brûler des granules de bois seulement.

Veillez lire le manuel en entier avant d'installer et d'utiliser ce poêle aux granules. Omettre de suivre ces instructions peut entraîner des dommages matériels, des blessures corporelles ou des pertes de vie.

Gardez ce manuel à portée de main pour consultation ultérieure.

Lorsque ce poêle aux granules est installé, il doit être mis à la terre conformément aux codes locaux. En l'absence de codes locaux, utilisez la version courante du Code canadien de l'électricité CSA C22.1 au Canada ou le National Electrical Code ANSI/NFPA 70 aux États-Unis.

Cet appareil ne fonctionne pas par tirage naturel et requiert de l'électricité pour faire fonctionner les ventilateurs et le système d'alimentation en granules.

Ces appareils sont équipés avec les vis nivelant qui pénètrent les coins de l'avant du foyer. Si ces vis manquent il aura une influence négative sur le fonctionnement de cet appareil. Assurez-vous que les vis nivelant sont resserrées en place.

L'emballage de protection sur les pièces plaquées s'enlève mieux lorsque l'assemblage est à température ambiante ou lorsqu'il est chauffé avec un séchoir à cheveux ou une autre source de chaleur similaire.

Si l'appareil est installé directement sur un tapis, sur une surface de vinyle ou tout autre revêtement de plancher combustible autre que le bois, l'appareil devra être monté sur un panneau continu de métal ou de bois se prolongeant sur toute la largeur et la profondeur.

## 2.4 information générale

### 2.4.1 qualité des granules

#### **AVERTISSEMENT**

**IL EST IMPORTANT DE CHOISIR ET D'UTILISER UNIQUEMENT DES GRANULES SECS, SANS TERRE NI IMPURETÉ TELLE QU'UN CONTENU ÉLEVÉ EN SEL. UN COMBUSTIBLE AVEC DES SALETÉS NUIRA AU BON FONCTIONNEMENT ET À LA PERFORMANCE DE L'APPAREIL ET ANNULERA LA GARANTIE. LE PELLET FUEL INSTITUTE (P.F.I.) A ÉTABLI DES NORMES POUR LES FABRICANTS DE GRANULES. NOUS RECOMMANDONS DES GRANULES QUI RENCONTRENT OU SURPASSENT CES NORMES. CONSULTEZ VOTRE DÉTAILLANT POUR CONNAÎTRE LE TYPE DE GRANULES RECOMMANDÉS.**

La qualité des granules est un facteur important. Veuillez lire ce qui suit :

Votre appareil aux granules Wolf Steel Itée a été conçu pour brûler des granules de bois dur ou de bois mou de première qualité seulement. N'utilisez aucun autre type de combustible tel que du bois de chauffage ou des granules auto-allumantes puisqu'ils annuleront les garanties énoncées dans ce manuel.

La performance et le rendement calorifique de votre appareil dépendent grandement de la qualité des granules utilisés et de leur degré d'humidité. Entreposez les granules dans un endroit sec et frais pour empêcher l'absorption d'humidité.



**NORMES P.F.I. POUR LES GRANULES :**

|                                      |  |
|--------------------------------------|--|
| Taux de particules fines inorganique | 1 % maximum à travers un tamis de 1/8" (3,2mm)   |
| Densité                              | 38 livres par pieds cubes minimum / 17 kg par mètre cube                                 |
| Taille                               | 1/4" (6,4mm) à 5/16" (8mm) de diamètre, longueur maximale de 1/2" (13mm) - 1 1/2" (38mm) |
| Taux de cendres                      | Pas plus de 2%   |
| Taux d'humidité                      | 8% maximum   |
| Chlorures                            | 300 pièces par million en poids  |
| Métaux traces                        | Moins de 100mg/kg  |
| Pouvoir calorifique                  | Environ 8200 BTU par livre minimum   |
| Déchets de construction              | Pour ne pas contenir tous les déchets  |

**NOTE:** Si le combustible ne respecte pas cette norme, l'appareil risque de ne pas fonctionner comme prévu.

Nous conseillons l'utilisation de granules de première qualité (taux de cendres de 1 %) afin d'assurer une plus grande durée de vie du poêle et des nettoyages moins fréquents.

**2.4.2 caractéristiques de sécurité**

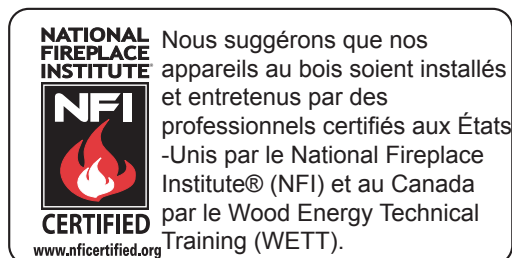
**INTERRUPTEUR DE SURCHAUFFE :** Votre poêle est équipé d'un interrupteur de surchauffe. Dans l'éventualité où la température du poêle atteindrait un niveau dangereux pour le fonctionnement, cet interrupteur arrêtera l'alimentation en granules, ce qui éteindra ultimement le poêle. Si ce problème survient, il est important d'identifier la raison de la surchauffe. Contactez votre détaillant local.

**INTERRUPTEUR DE BASSE TEMPÉRATURE :** Cet interrupteur éteindra automatiquement le poêle dans l'éventualité que le feu s'éteigne ou que le poêle ne s'allume pas en 15 minutes.

**VERROUILLAGE DE PORTE DU RÉSERVOIR :** Votre poêle est muni d'un micro-interrupteur dans l'assemblage du réservoir qui arrête la vis sans fin quand la porte du réservoir est ouverte. Fermer la porte redémarre la vis sans fin et permet l'alimentation en granules.

**INTERRUPTEUR DE PRESSION :** Cet interrupteur détectera un manque de circulation d'air dans le poêle et arrêtera l'alimentation en granules. Ce manque de circulation d'air peut être causé par un évent bloqué.

**SYSTÈME DE FERMETURE EN CAS DE PANNE ÉLECTRIQUE :** Dans l'éventualité d'une panne électrique, le poêle s'éteindra. Une fois que le courant est rétabli, le poêle redémarrera à moins que la température de l'air de convection ait dépassé le réglage de l'interrupteur de surchauffe. Si cela se produit, contactez votre détaillant local.

**2.4.3 conformité aux normes EPA**

## 2.5 information sur la plaque d'homologation

INSTALLER ET UTILISER CONFORMÉMENT AUX INSTRUCTIONS DU FABRICANT ET AUX CODES DU BÂTIMENT LOCAUX.

HAUTEUR DE PLAFOND MINIMALE 7 Pi. (2,13 m)

BASE DE PROTECTION/PROTECTION DE PLANCHER COMBUSTIBLE : SI INSTALLÉ SUR UN PLANCHER COMBUSTIBLE, L'APPAREIL DOIT ÊTRE PLACÉ SUR UNE PLAQUE PROTECTRICE INCOMBUSTIBLE S'ÉTENDANT SUR 6" À L'AVANT.

NE PAS RACCORDER CET APPAREIL À LA CHEMINÉE D'UN AUTRE APPAREIL.

REMPLENER LA VITRE PAR UNE VITRE EN CÉRAMIQUE SEULEMENT.

DANGER : RISQUE DE SECOUSSE ÉLECTRIQUE. DÉBRANCHER L'ALIMENTATION ÉLECTRIQUE AVANT DE PROCÉDER À L'ENTRETIEN.

GARDER LA PORTE VITRÉE ET LA PORTE DU TIROIR À CENDRES BIEN FERMÉES DURANT LE FONCTIONNEMENT.

CONTACTER LES AUTORITÉS LOCALES DU BÂTIMENT ET DU SERVICE DES INCENDIES AU SUJET DES RESTRICTIONS ET DES INSPECTIONS D'INSTALLATION DANS VOTRE RÉGION. PEUT ÊTRE INSTALLÉ DANS UNE MAISON MOBILE SI INSTALLÉ CONJOINTEMENT AVEC UNE PRISE D'AIR EXTÉRIEUR.

SE RÉFÉRER AUX INSTRUCTIONS D'INSTALLATION OU AUX CODES DU BÂTIMENT LOCAUX LORSQUE LE SYSTÈME D'ÉVACUATION TRAVERSE UN MUR OU UN PLAFOND COMBUSTIBLES.

CET APPAREIL AU BOIS DOIT FAIRE L'OBJET D'UNE INSPECTION ET D'UN ENTRETIEN PÉRIODIQUES POUR UN FONCTIONNEMENT ADÉQUAT. CONSULTEZ LE MANUEL D'INSTRUCTIONS POUR PLUS D'INFORMATION.

LES RÉGLEMENTS FÉDÉRAUX DE L'ÉTATS UNIS INTERDISENT D'UTILISER CET APPAREIL DE CHAUFFAGE D'UNE MANIÈRE ALLANT À L'ENCONTRE DES INSTRUCTIONS DE FONCTIONNEMENT CONTENUES DANS CE MANUEL.

**ATTENTION** : L'APPAREIL EST CHAUD LORSQU'IL FONCTIONNE. NE PAS TOUCHER. TENIR LES ENFANTS, LES VÊTEMENTS ET LES MEUBLES À L'ÉCART. LE CONTACT PEUT CAUSER DES BRÛLURES DE PEAU.

**U.S. Environmental Protection Agency: Certifié conforme à la norme d'émission de particules de 2015. Non approuvé pour la vente après le 15 mai, 2020: 40 CFR Part 60, Subpart AAA. 2.4 Grammes par heure**

APPAREIL DE CHAUFFAGE AUX GRANULES HOMOLOGUÉ  
TESTÉ SELON LES NORMES : ASTM E 1509, UL 1482, ULC S628  
MODÈLE NPI45

**INSTALLATION DANS UN FOYER DE MAÇONNERIE**

**INSTALLATION DANS UN FOYER PRÉFABRIQUÉ (VUE DE CÔTÉ)**

**INSTALLATION DANS UN FOYER PRÉFABRIQUÉ (VUE DE FACE)**

| DÉGAGEMENTS MINIMAUX AUX MATÉRIEAUX COMBUSTIBLES |   |         |
|--|---|---------|
| Mur latéral                                      | A | 8"      |
| Manteau  | B | 8"      |
| Protection de plancher                           | C | 6"      |
| Largeur de l'enclave                             | D | 31 1/2" |
| Hauteur de l'enclave                             | E | 26 1/2" |
| Profondeur de l'enclave                          | F | 16"     |
| Profondeur de la tablette                        | G | 10"     |

| DÉBIT D'ALIMENTATION |        |  |
|----------------------|--------|--|
| MIN.                 | 1 LB/H |  |
| MAX.                 | 5 LB/H |  |

| CARACTÉRISTIQUES ÉLECTRIQUES |       |       |
|------------------------------|-------|-------|
| 120 V                        | 3,6 A | 60 HZ |

W385-2036 / C

Pour l'emplacement de la plaque d'homologation, voir la section « vue d'ensemble de l'installation ».

Cette illustration est fournie à titre indicatif seulement. Pour les renseignements exacts, consultez la plaque d'homologation fixée sur l'appareil.

**NOTE:** La plaque d'homologation doit rester avec l'appareil à tout les temps. Il ne doit pas être enlevé.

## 3.0 planification de l'installation

### **! AVERTISSEMENT**

**NE FAITES PAS FONCTIONNER L'APPAREIL AVANT D'AVOIR LU ET COMPRIS LES INSTRUCTIONS D'OPÉRATION. OMETTRE D'UTILISER L'APPAREIL SELON LES INSTRUCTIONS D'OPÉRATION POURRAIT CAUSER UN INCENDIE OU DES BLESSURES.**

**N'UTILISEZ QUE LES ACCESSOIRES OPTIONNELS ET LES PIÈCES DE RECHANGE APPROUVÉS PAR WOLF STEEL POUR CET APPAREIL. L'UTILISATION D'ACCESSOIRES ET DE PIÈCES DE RECHANGE NON LISTÉS (SOUFFLERIE, PORTES, PERSIENNES, MOULURES, COMPOSANTS DE GAZ, COMPOSANTS D'ÉVACUATION, ETC.) POURRAIT ÊTRE NON SÉCURITAIRE ET ANNULERA LA GARANTIE À VIE LIMITÉE.**

FR

Contactez les autorités locales du bâtiment pour déterminer si vous devez obtenir un permis pour l'installation de votre poêle aux granules et avisez votre compagnie d'assurances avant de procéder à l'installation.

Avant d'installer ce poêle, nous vous conseillons de le placer à l'extérieur et d'y charger 5 livres (2,3k) de granules dans le réservoir. Branchez le poêle et laissez-le fonctionner à «HIGH» jusqu'à ce qu'il n'y ait plus de granules. Ceci fera durcir la peinture et fera évaporer les huiles sur l'acier, minimisant ainsi les odeurs dans la maison.

### 3.1 installation de l'appareil

Faites installer votre poêle par un détaillant autorisé. Si vous l'installez vous-même, faites vérifier vos plans d'installation et/ou l'installation par votre détaillant.

Élaborez un plan détaillé de l'installation en y incluant les dimensions puis vérifiez les dimensions avec les exigences énoncées dans ce manuel.

Pour les enceintes d'encastrement, lorsque vous déterminez l'emplacement du poêle, localisez les montants du mur (pour des évacuations horizontales). Vous devrez possiblement ajuster la position du poêle afin que l'évent ne passe pas au même niveau qu'une pièce de charpente. Le poêle doit être positionné de façon à ce qu'aucun article combustible soit placé, ou puisse pivoter (p. ex. rideaux, portes) à moins de 48" (1219,2mm) de la face vitrée du poêle.

### 3.2 options d'installation

#### **NPS45 :**

Pour une installation dans une résidence ou une maison mobile, voir la section « installation dans une maison mobile ». Pour une installation dans une alcôve, voir la section « installation dans une alcôve ». Pour l'évacuation horizontale ou verticale, voir la section « évacuation ». Pour l'air extérieur, voir la section « prise d'air extérieur ».

#### **NPI45 :**

L'encastrement peut être adapté pour une évacuation à l'arrière ou sur le dessus. Pour une installation comme encastrement dans un foyer en maçonnerie ou un foyer préfabriqué, voir la section « évacuation ». Pour une installation dans une enceinte combustible, voir la section « l'installation de l'encastrement ».

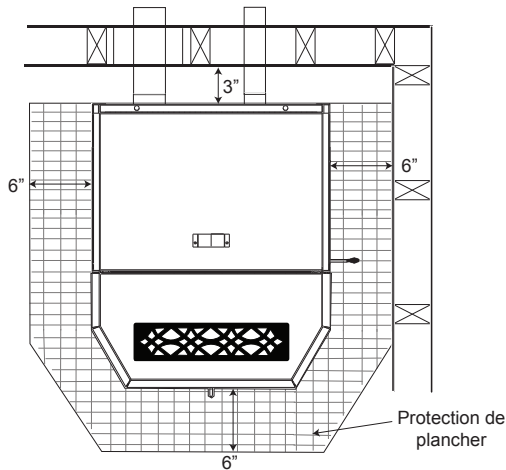
## 3.3 poêle dégagements minimaux aux matériaux combustibles

**! AVERTISSEMENT**

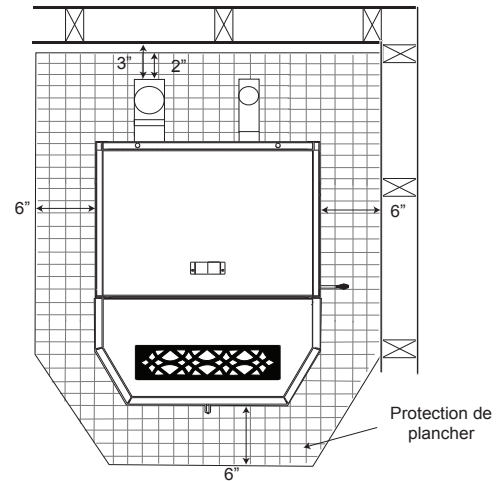
**NE PAS INSTALLER DANS UN ENDROIT AYANT UNE HAUTEUR DE MOINS DE 48 POUCES (DU PLAFOND À LA BASE DE L'APPAREIL, EXCLUANT LA HAUTEUR DE L'ÂTRE).**

## 3.3.1 installation droite

Installations à Travers un Mur

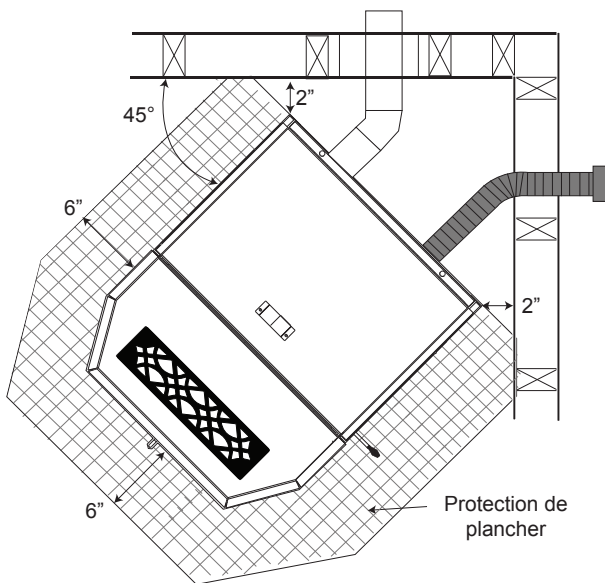


Évents Verticaux Intérieurs

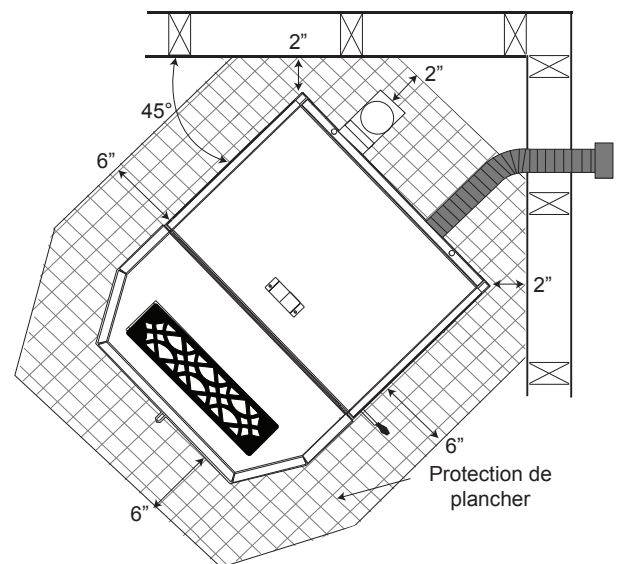


## 3.3.2 installation de coin

Évents à Travers un Mur

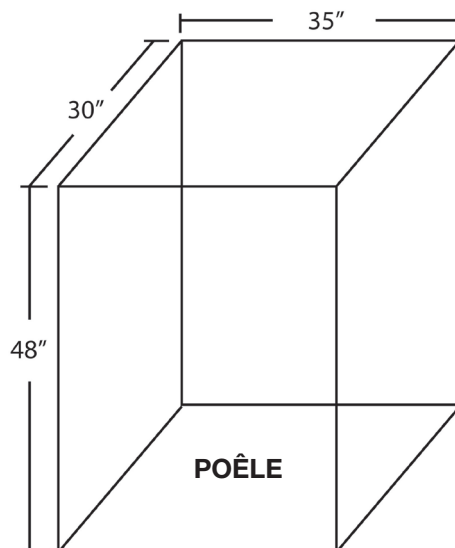


Évents Verticaux Intérieurs



**NOTE :** Si vous utilisez des événements verticaux intérieurs, le dégagement au mur arrière est calculé à partir du raccord en T. Le dégagement variera selon la marque du système d'évents (environ 5" (127mm)). Avant de placer le poêle, branchez le coude ou le raccord en T et allouez un dégagement minimal de 3" (76mm) au mur combustible.

### 3.3.3 exigences minimales de l'installation dans une alcôve



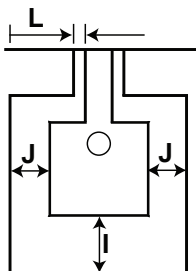
Dimensions minimales de l'alcôve

### 3.4 protection de plancher

#### PROTECTEUR THERMIQUE :

L'appareil doit être installé sur un protecteur thermique incombustible se prolongeant sur le devant, les côtés et l'arrière de l'appareil selon les exigences minimales ci-dessous.

**NOTE :** Une protection de plancher est requise pour protéger des étincelles et de la cendre, et pour limiter la température du plancher de la chaleur rayonnante de l'appareil.



| PROTECTION MINIMALE DU PLANCHER |              |             |
|---------------------------------|--------------|-------------|
| AVANT (I)                       | CÔTÉS (J)    | ÉVENT (L)   |
| 6" (152,4mm)                    | 6" (152,4mm) | 2" (50,8mm) |

Le protecteur thermique doit avoir une valeur R globale de 1.0. Pour des épaisseurs multiples, ajoutez les valeurs R de chaque épaisseur afin de déterminer la valeur R globale.

#### CONVERSION DES SPÉCIFICATION DU MATÉRIEL EN COEFFICIENT R ET K.

R = épaisseur / coefficient K

K = épaisseur / coefficient R

| TABLEAU DE COEFFICIENTS K ET R COURANTS |                 |               |
|---|-----------------|---------------|
| MATÉRIEL                                | COEFFICIENT - K | COEFFICIENT R |
|   | Par inch        | Par inch      |
| Panneau de fibre minérale Micore 300    | 0.43            | 2.33          |
| Panneau de ciment Wonderboard           | 1.92            | 0.52          |
| Brique                                  | 5.00            | 0.20          |
| Mortier de ciment                       | 5.00            | 0.20          |
| Carreaux de céramique                   | 12.50           | 0.08          |
| Marbre                                  | 11.00           | 0.09          |
| Couche d'air (ventilé)                  | 0.70            | 1.43          |
| Sable et gravier                        | 1.70            | 0.59          |

En matière de conductivité thermique (coefficient K), plus le coefficient est bas, plus l'isolant est efficace. Alors que dans le cas de la résistance thermique (coefficient R), plus le coefficient est élevé, meilleur est l'isolant.

#### Exemple de coefficient K :

Supposons qu'un poêle à bois nécessite une protection thermique avec un coefficient K de 1 ou moins et que nous optons pour un matériau tel que le panneau de fibre minérale Micore 300 d'USG. Comme le coefficient K de ce matériau est d'environ 0,43 par pouce, un panneau de 1/2" (12,7mm) d'épaisseur présenterait un coefficient K de 0,86, ce qui respecterait la spécification de notre poêle.

#### Exemple de coefficient R :

Supposons qu'un poêle ou un foyer nécessitent une protection thermique avec un coefficient R de 1,5. Étant donné que le coefficient R d'un panneau Micore 300 d'une épaisseur de 1" (25,4mm) est évalué à 2,33, alors un panneau de 1/2" (12,7mm) d'épaisseur respecterait la spécification de notre poêle ou foyer.

### 3.5 prise d'air extérieur

Disponible auprès de votre détaillant autorisé (114KT).

L'air extérieur ne doit pas provenir d'un endroit fermé tel qu'un garage ou un espace réduit non ventilé.

**NOTE : Wolf Steel Itée suggère fortement d'utiliser une prise d'air extérieur dans toutes les installations résidentielles, particulièrement dans les maisons bien isolées à haut rendement énergétique.**

La prise d'air extérieur ne doit pas mesurer plus que 15 pieds (4.5m) de long.

Les prises d'air extérieur doivent être composées d'un conduit métallique ou d'aluminium de 1 3/4" (44mm) de diamètre ou plus et d'un grillage métallique fixé à l'extrémité afin de bloquer l'entrée aux rongeurs (le PVC ou les autres matériaux ne peuvent pas être utilisés). La prise d'air extérieur ne doit pas être située au-dessus ou à moins de 12" (305mm) de la terminaison du conduit d'évacuation, elle doit avoir un chapeau ou un coude vers le bas afin d'empêcher l'eau de s'infiltrer et elle doit être située à un endroit de manière à ne pas être obstruée par de la neige ou tout autre élément.

Dans le cas d'une installation dans une enceinte combustible, la prise d'air extérieur est obligatoire.

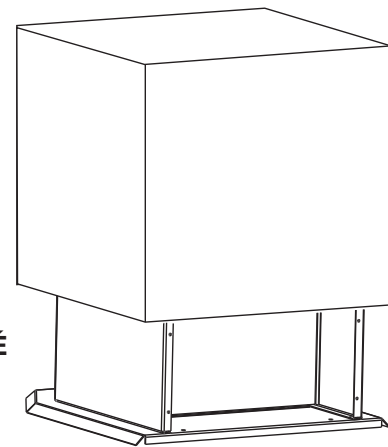
### 3.6 maison mobile installation

|   |
|---|
| <b>! AVERTISSEMENT</b>  |
| <b>NE PAS INSTALLER DANS UNE CHAMBRE À COUCHER.</b>                                     |
| <b>L'INTÉGRITÉ STRUCTURALE DU PLANCHER, DES MURS ET DU PLAFOND DOIT ÊTRE MAINTENUE.</b> |

L'installation dans une maison préfabriquée ou une maison mobile doit se conformer aux exigences du Manufactured Home Construction and Safety Standard, Title 24 CFR, Part 3280, aux États-Unis ou aux normes des maisons mobiles CAN/CSA Z240 Série MM, au Canada.

Le poêle doit être mis à la terre au niveau du châssis d'acier de la maison mobile (certains états ne l'exigent pas; consultez les autorités locales du bâtiment).

**POÊLE ILLUSTRÉ**



## 4.0 évacuation

### 4.1 type d'évacuation

Vous devez utiliser un évent approuvé de type « L » ou « PL » de 3" (76mm) ou 4" (102mm) de diamètre qui évacue à l'extérieur ou raccorder l'évent à une cheminée préfabriquée de type A à l'aide d'un adaptateur et/ou une gaine en acier inoxydable pour les installations dans un foyer en maçonnerie. Utilisez un conduit de 4" (102mm) de diamètre si la hauteur de l'évent ou de la gaine est supérieure à 15' (4,5m) ou si l'installation se trouve à une altitude de plus de 4000' (1219m) au-dessus du niveau de la mer.

### 4.2 installation du système d'évacuation

## ! AVERTISSEMENT

**CONSERVEZ TOUJOURS UNE DISTANCE MINIMALE DE 3" (76.2mm) ENTRE LE SYSTÈME D'ÉVACUATION ET LES MATÉRIAUX COMBUSTIBLES (INSTALLEZ LE SYSTÈME D'ÉVACUATION SELON LES DÉGAGEMENTS PRESCRITS PAR LE FABRICANT DU SYSTÈME D'ÉVACUATION). LA GAINÉ DE CHEMINÉE ÉTANT EXCLUE.**

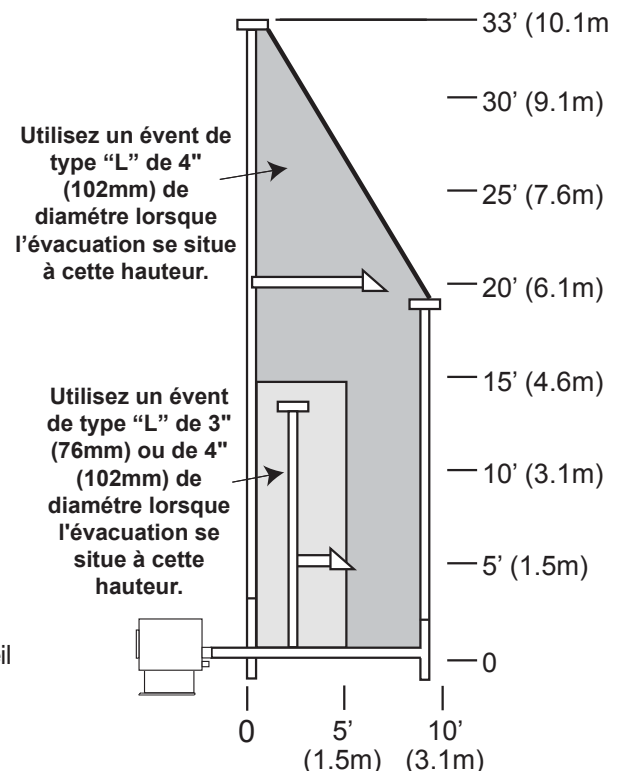
**NE RACCORDEZ PAS LE SYSTÈME D'ÉVACUATION DU POÊLE À TOUT AUTRE SYSTÈME D'ÉVACUATION SERVANT UN AUTRE APPAREIL.**

**N'INSTALLEZ JAMAIS DE REGISTRE DANS LE SYSTÈME D'ÉVACUATION DE CET APPAREIL.**

Le système d'évacuation doit être supporté à tous les 5 pieds (1,5m) de course avec un support lorsqu'il est contre le mur extérieur. Pour une performance optimale, gardez la longueur des courses aussi courte que possible, particulièrement dans les installations horizontales.

**ÉVACUATION MAXIMALE :** La hauteur maximale de l'évacuation est de 33 pieds (10,1m). La course horizontale maximale sans élévation verticale est de 5 pieds (1,5m), depuis l'arrière de l'appareil. Un total de 180° de coudes est permis (deux coudes de 90° ou deux coudes de 45° et un coude de 90°, etc.), excluant le raccord en T et la terminaison.

**INSTALLATION DU SYSTÈME D'ÉVACUATION :** La terminaison de l'évacuation doit être située au-dessus de la prise d'air et être parallèle ou au-dessus de la sortie d'évacuation de l'appareil. Nous vous conseillons d'avoir au moins 3 pieds (0,9m) de course verticale afin de créer un tirage naturel. Cela aidera à prévenir la possibilité que de la fumée ou une odeur se produisent lors de l'arrêt de l'appareil ou lors d'une panne de courant. Les courses horizontales doivent avoir une élévation de 1/4" (6,4mm) pour chaque 12" (304,8mm) de parcours si elles excèdent 3' (0,9m).



Tous les joints du système d'évacuation doivent être scellés avec de la silicone RTV à haute température et vissés à l'aide de longues vis en acier inoxydable d'au moins 3 3/8" (85,7mm). Scellez chaque joint en appliquant une quantité généreuse de silicone RTV 500 °F (260 °C). Nous vous conseillons de sceller l'extérieur des connexions du système d'évacuation afin de faciliter l'accès lors de l'entretien.

### 4.3 évacuation de l'appareil aux granules

Utilisez un coupe-feu mural approuvé lorsque l'évacuation passe à travers un mur et un support à plafond/ espaceur coupe-feu lorsque l'évacuation passe à travers le plafond (conservez un dégagement de 3" (76mm) aux matériaux combustibles).

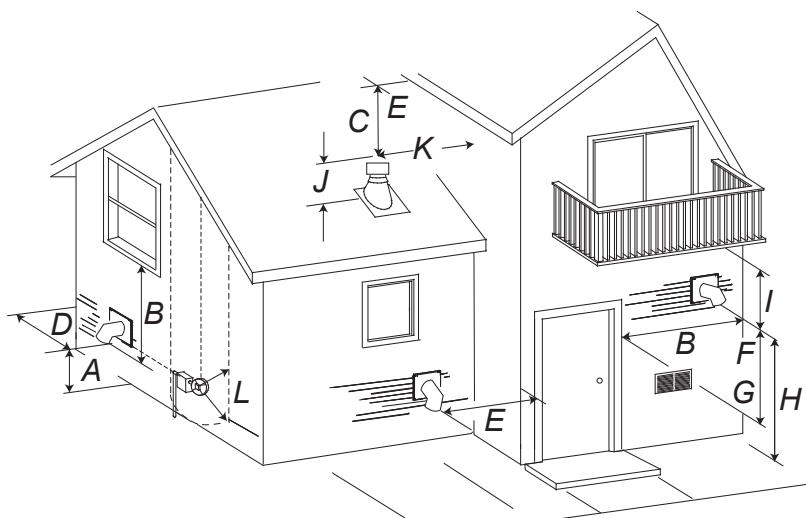


## 4.4 terminaison

La terminaison doit être munie d'un chapeau approuvé (pour empêcher l'eau de s'introduire) ou d'un coude de 45° pointé vers le bas. Si la terminaison est située du côté venteux de la maison, l'utilisation d'un écran protecteur est recommandée pour empêcher la suie de s'accumuler sur le côté de la maison.

Les terminaisons horizontales nécessitent une projection de 12" (305mm) du mur, les terminaisons verticales nécessitent un minimum de 24" (610mm) au-dessus du point le plus élevé où il pénètre à travers le toit. Selon la qualité des granules, la configuration de l'évacuation et les réglages d'air, de la suie peut se former sur le mur de la terminaison.

## 4.5 emplacements et dégagements minimaux de la terminaison



| DÉGAGEMENT |   |  |
|------------|---|--|
| A          | 12" (30,5cm)  | Dégagement au-dessus du sol, d'une véranda, d'une terrasse en bois ou d'un balcon. (Incluant la végétation et le paillis)  |
| B          | 9" (228,6mm)  | Dégagement du côté ou en dessous des fenêtres ou des portes qui ouvrent.   |
|            | 12" (30,5cm)*   | Dégagement au-dessus des fenêtres ou des portes qui ouvrent.   |
| C          | 18" (45,7cm)  | Dégagement vertical d'un soffite ventilé situé au-dessus de la terminaison si la distance horizontale est de moins 2 pieds (0.6m) de la ligne médiane de la terminaison.                 |
| D          | 0" (0mm)  | Dégagement des murs faisant coin extérieur.  |
| E          | 3" (0,9m)   | Dégagement des murs extérieurs combustibles faisant coin intérieur ou aux obstructions combustibles (habillage extérieur, etc.).   |
| F          | 9" (228,6mm)  | Dégagement d'une prise d'air de ventilation non mécanique de la maison ou d'une prise d'air de combustion de tout autre appareil.  |
| G          | 3' (0,9m)   | Dégagement d'une prise d'air mécanique.  |
| H          | 7' (2,1m) **  | Dégagement au-dessus d'un trottoir ou d'une entrée pavée situé sur une propriété publique.   |
| I          | 12" (30,5cm)**  | Dégagement sous une véranda, une terrasse en bois ou un balcon.  |
| J          | 24" (61cm)  | Dégagement au-dessus du toit.  |
| K          | 2' (0,6m)   | Dégagement des murs adjacents, incluant les maisons voisines.  |
| L          | 3' (0,9m) pour une distance verticale de moins de 15 pieds (13,7m) au-dessus de l'ensemble de régulateur/compteur | Dégagement horizontal de chaque côté depuis la ligne verticale tirée du centre d'un ensemble de régulateur/compteur de gaz naturel ou de propane ou d'un système d'évacuation mécanique. |

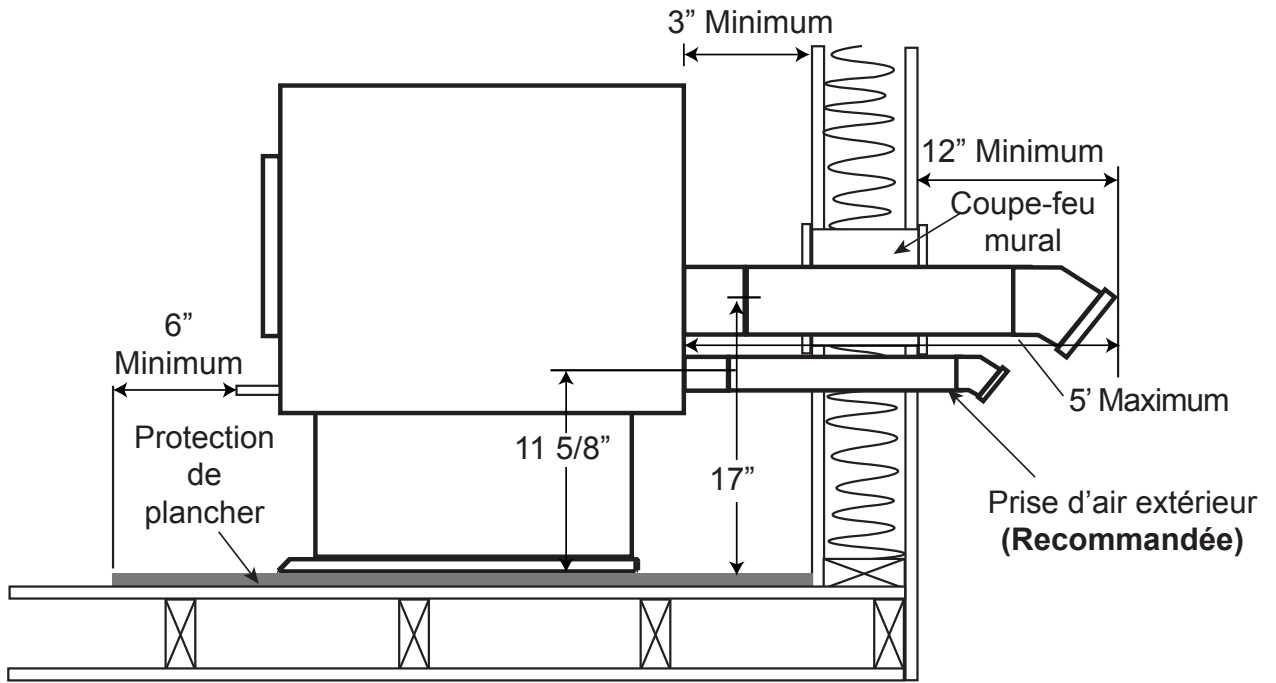
\* Recommandé an de prévenir la formation de buée dans les fenêtres et les cassures thermiques.

\*\* Ceci est une distance recommandée. Vérifiez les codes locaux pour connaître les contraintes additionnelles.

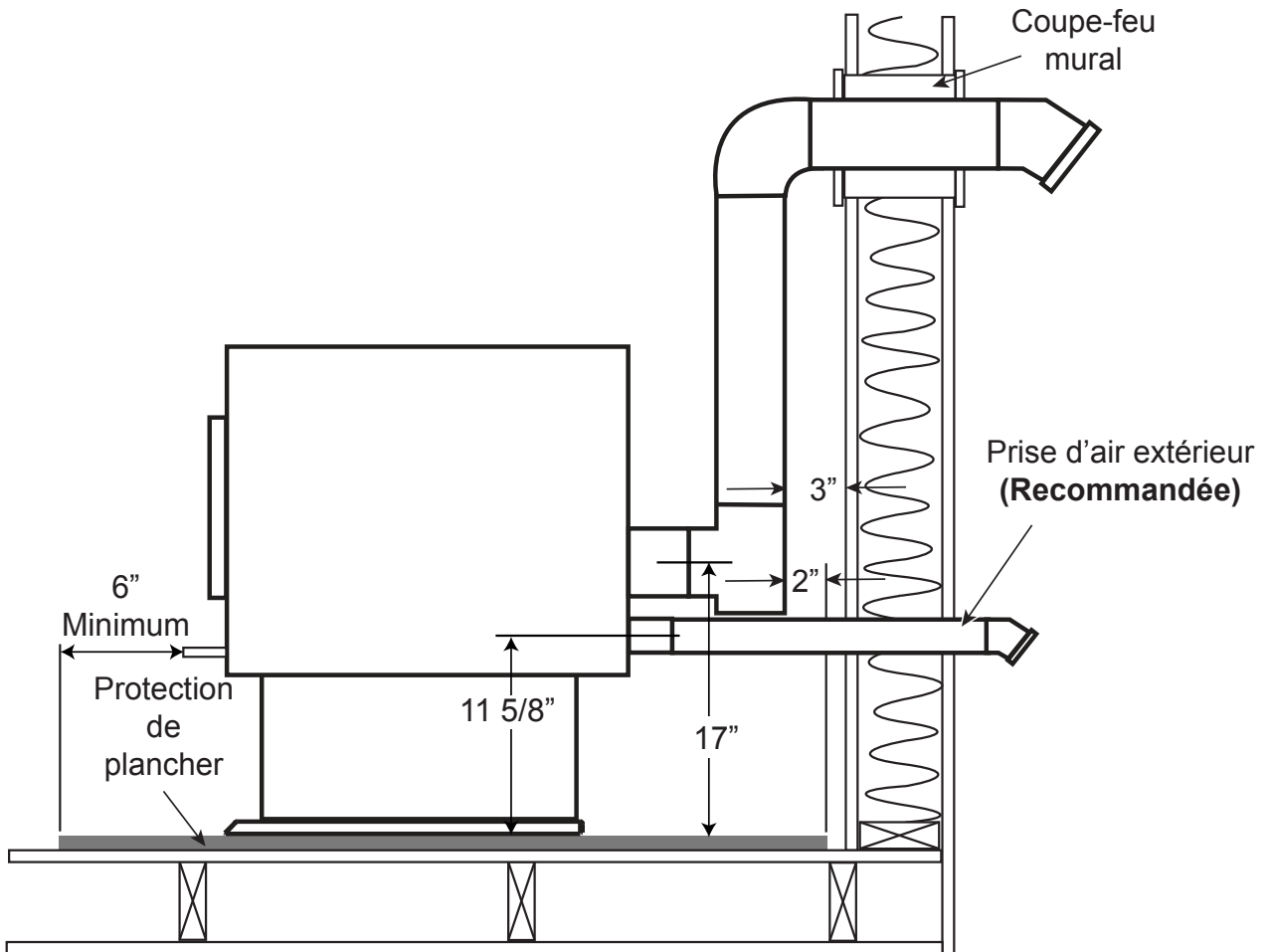
**NOTE:** Les terminaoux du mur sont à des fins d'illustration seulement. La taille et les formes peuvent varier.

**NOTE:** Les dimensions de l'illustration font référence à l'axe central et au point de sortie du système d'évacuation.

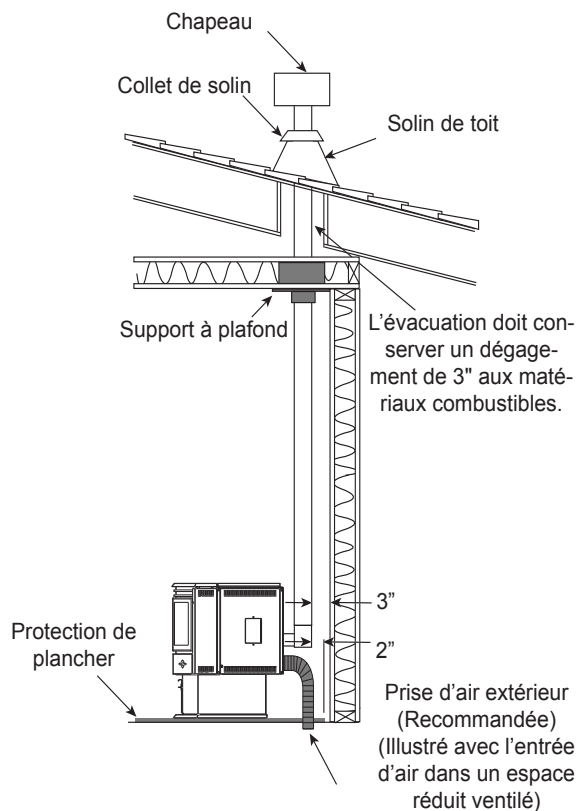
## 4.5.1 terminaison horizontale à travers un mur



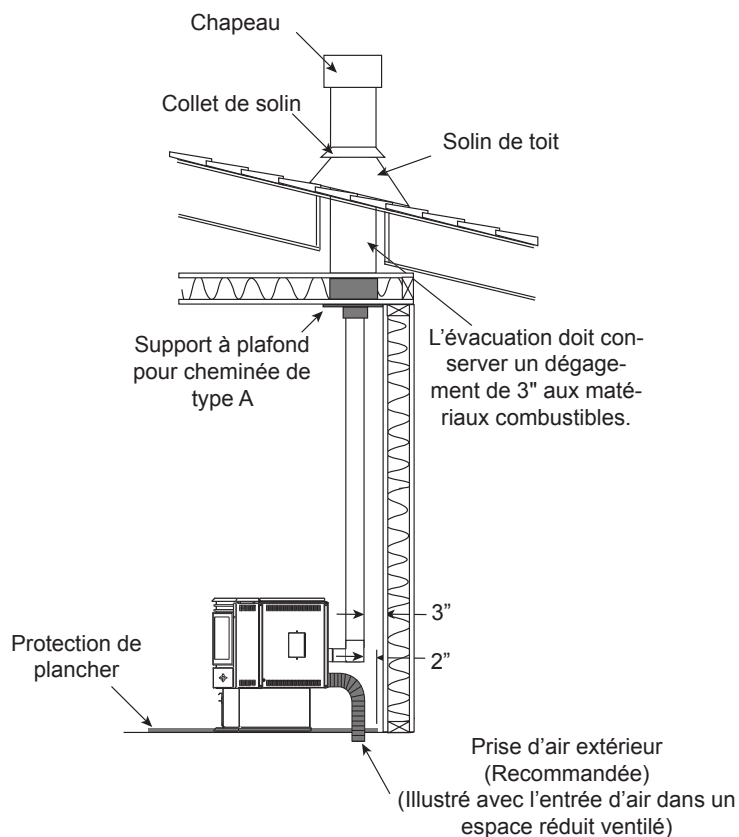
## 4.5.2 course verticale et terminaison horizontale à travers un mur



### 4.5.3 dégagements verticaux minimaux à l'intérieur

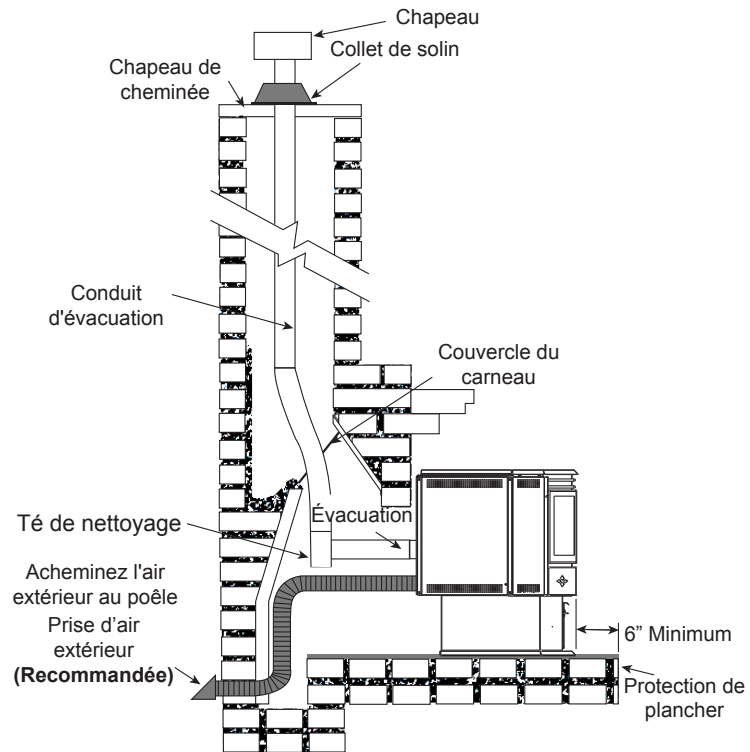


### 4.5.4 installation avec une cheminée de classe A



#### 4.5.5 installation dans une cheminée de maçonnerie

FR



Référez-vous aux directives d'installation du fabricant et aux sections « installation typique dans un foyer de maçonnerie existant ».

## 4.6 exemples d'installation d'évacuation de l'encastré

### 4.6.1 installation typique dans un foyer de maçonnerie existant

# ! AVERTISSEMENT

**NE RETIREZ AUCUNE BRIQUE OU AUCUN MORTIER DU FOYER.**

#### Avant l'installation :

Lorsque vous installez l'encastré dans un foyer en maçonnerie, n'enlevez aucune brique ou aucun mortier. N'affaiblissez pas la structure, ni ne réduisez la protection des matériaux combustibles en-deçà des exigences du Code national du bâtiment.

Des pièces boulonnées ou vissées ensemble (tablette à fumée/défecteur) peuvent être enlevées, mais vous devez être en mesure de les réinstaller dans le cas où l'encastré serait retiré.

Des pièces ornementales extérieures, qui n'ont aucun effet sur le fonctionnement du foyer, peuvent être enlevées en autant qu'elles puissent être réinstallées dans le cas où l'encastré serait retiré.

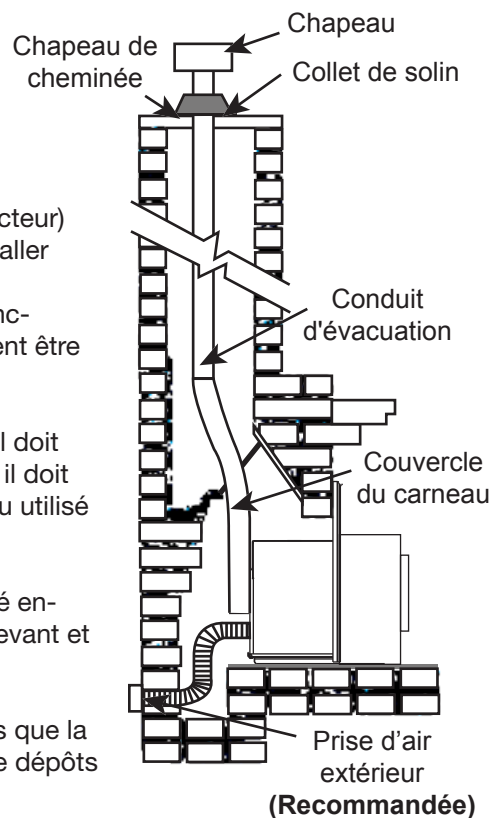
Sur une étiquette de mise en garde, fixée à la paroi arrière du foyer, il doit être inscrit que « Ce foyer a été modifié pour recevoir un encastré et il doit être réinspecté par une personne compétente avant d'être à nouveau utilisé comme foyer fabriqué en usine ».

Une base de protection incombustible doit recouvrir le plancher situé en-dessous; de même que dépasser d'au moins 6" (152,4mm) sur le devant et de chaque côté du poêle.

Débarrassez l'intérieur du foyer de toutes ses cendres. Assurez-vous que la cheminée et le foyer soient exempts de fissures, de mortier lâche, de dépôts de créosote, de blocage ou d'autres signes de détérioration.

Si nécessaire, faites effectuer toutes les réparations par un professionnel avant d'installer l'encastré.

- A. Retirez le registre du foyer ou attachez-le de façon permanente en position ouverte.
- B. Mesurez la gorge du foyer, puis tracez sa forme sur un morceau de tôle de calibre 24 (couvercle de carneau). Découpez un trou équivalant au diamètre du conduit d'évacuation de l'encastré afin qu'il repose directement sous l'ouverture du carneau du foyer. Allouez un surplus de 2" (50,8mm) de matériel de tous les côtés pour les brides et découpez selon ces dimensions. Pliez les brides vers le bas. Si c'est la première fois que vous faites ceci, il serait bon de faire d'abord un modèle en carton et de le tester. À l'aide de deux vis de maçonnerie insérées de chaque côté dans les brides, fixez ce couvercle de carneau aussi haut que possible dans le foyer.
- C. Si vous prévoyez raccorder une prise d'air extérieur, il est recommandé de le faire maintenant.
- D. Si nécessaire, installez une protection de plancher.
- E. Raccordez l'évacuation de l'encastré avec un té de nettoyage à l'arrière de l'appareil. Référez-vous aux directives d'installation du fabricant et aux sections « instructions de conversion de l'évacuation arrière à l'évacuation sur le dessus » et « évacuation générale ».
- F. Insérez le conduit d'évacuation de l'encastré dans la cheminée de maçonnerie, puis raccordez-le au té.
- G. Placez le poêle dans son emplacement définitif.
- H. Retirez l'excédent de conduit d'évacuation de l'encastré hors de la cheminée de maçonnerie. Taillez l'excédent, installez le chapeau de cheminée et scellez la cheminée.



FR

## 4.6.2 foyer préfabriqué

### Avant l'installation :

N'affaiblissez pas la structure, ni ne réduisez la protection des matériaux combustibles en-deçà des exigences du Code national du bâtiment. Des pièces boulonnées ou vissées ensemble (tablette à fumée/défecteur) peuvent être enlevées, mais vous devez être en mesure de les réinstaller dans le cas où l'encastré serait retiré.

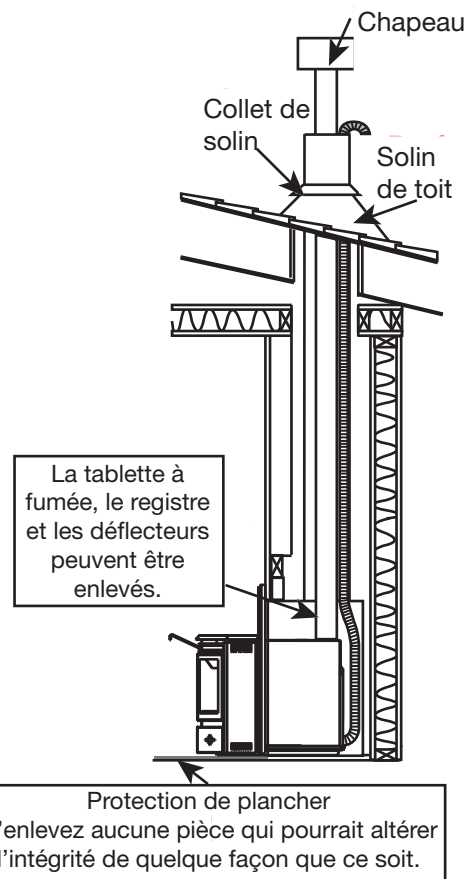
Des pièces ornementales extérieures, qui n'ont aucun effet sur le fonctionnement du foyer, peuvent être enlevées en autant qu'elles puissent être réinstallées dans le cas où l'encastré serait retiré.

Sur une étiquette de mise en garde, fixée à la paroi arrière du foyer, il doit être inscrit : « Ce foyer a été modifié pour recevoir un encastré et il doit être réinspecté par une personne compétente avant d'être à nouveau utilisé comme foyer préfabriqué ».

Une base de protection incombustible doit recouvrir le plancher situé en dessous; de même que dépasser d'au moins 6" (152,4mm) sur le devant et de chaque côté de l'encastré.

Débarrassez l'intérieur du foyer de toutes ses cendres. Assurez-vous que la cheminée et le foyer soient exempts de fissures, de mortier lâche, de dépôts de crésote, d'obstructions ou d'autres signes de détérioration.

Si nécessaire, faites effectuer toutes les réparations par un professionnel avant d'installer l'encastré.



- A. Retirez le registre du foyer ou attachez-le de façon permanente en position ouverte.
- B. Mesurez la gorge du foyer, puis tracez sa forme sur un morceau de tôle de calibre 24 (couvercle de carneau). Découpez un trou équivalant au diamètre du conduit d'évacuation de l'encastré afin qu'il repose directement sous l'ouverture du carneau du foyer. Allouez un surplus de 2" (50,8mm) de matériel de tous les côtés pour les brides et découpez selon ces dimensions. Pliez les brides vers le bas. Si c'est la première fois que vous faites ceci, il serait bon de faire d'abord un modèle en carton et de le tester. À l'aide de deux vis de maçonnerie insérées de chaque côté dans les brides, fixez ce couvercle de carneau aussi haut que possible dans le foyer.
- C. Si vous prévoyez raccorder une prise d'air extérieur, il est recommandé de le faire maintenant.
- D. Si nécessaire, installez une protection de plancher.
- E. Raccordez l'évacuation de l'encastré avec un té de nettoyage à l'arrière de l'encastré. Référez-vous aux directives d'installation du fabricant et aux sections « instructions de conversion de l'évacuation arrière à l'évacuation sur le dessus » et « évacuation générale ».
- F. Insérez le conduit d'évacuation de l'encastré dans la cheminée de maçonnerie, puis raccordez-le au té.
- G. Placez l'encastré dans son emplacement définitif.
- H. En tirant vers le haut de la cheminée de maçonnerie, retirez l'excédent de conduit d'évacuation de l'encastré. Taillez l'excédent. installez le chapeau de cheminée et scellez la cheminée.

## 5.0 ossature (encastré seulement)

| <b>! AVERTISSEMENT</b>   |  |
|--|--|
| <b>RISQUE D'INCENDIE!</b>  |  |
| AFIN D'ÉVITER LA POSSIBILITÉ QUE DE L'ISOLATION OU UN COUPE-VAPEUR ENTRENT EN CONTACT AVEC L'EXTÉRIEUR DU CAISSON, IL EST CONSEILLÉ D'INSTALLER L'APPAREIL CONTRE DES MURS FINIS (C.-À-D. PANNEAU DE GYPSE) COMME TOUT AUTRE MUR DE LA MAISON. CECI ASSURERA QUE LE DÉGAGEMENT AUX MATÉRIAUX COMBUSTIBLES EST MAINTENU.  |  |
| NE FAITES PAS D'ENTAILLES À L'OSSATURE AUTOUR DES ESPACEURS. NE PAS MAINTENIR LES DÉGAGEMENTS PEUT CAUSER UNE SURCHAUFFE ET UN INCENDIE. EMPÊCHEZ TOUT CONTACT AVEC DE L'ISOLANT QUI S'AFFAISSE, AVEC L'OSSATURE OU AVEC TOUT AUTRE MATÉRIAU COMBUSTIBLE. BLOQUEZ L'ENTRÉE DE L'ENCEINTE POUR EMPÊCHER L'INFILTRATION D'ISOLANT SOUFLÉ. ASSUREZ-VOUS QUE L'ISOLATION ET LES AUTRES MATÉRIAUX SONT BIEN FIXÉS.  |  |
| LORSQUE VOUS CONSTRUISEZ L'ENCEINTE, PRÉVOYEZ L'ÉPAISSEUR DES MATÉRIAUX DE FINITION POUR MAINTENIR LES DÉGAGEMENTS. SI L'OSSATURE OU LES MATÉRIAUX DE FINITION SE TROUVENT À UNE DISTANCE INFÉRIEURE À CELLE INDICQUÉE, ILS DOIVENT ÊTRE FAITS ENTIÈREMENT DE MATÉRIAUX NON COMBUSTIBLES. LES MATÉRIAUX FAITS ENTIÈREMENT D'ACIER, DE FER, DE BRIQUE, DE TUILE, DE BÉTON, D'ARDOISE, DE VERRE OU DE PLÂTRE, OU D'UNE COMBINAISON DE CES MATÉRIAUX, SONT APPROPRIÉS. LES MATÉRIAUX RÉPONDANT À LA NORME ASTM E 136, MÉTHODE DE TEST STANDARD DU COMPORTEMENT DES MATÉRIAUX DANS UNE FOURNAISE AVEC TUBE VERTICAL À 1382° F (750°C), ET À LA NORME UL763 SONT CONSIDÉRÉS COMME ÉTANT DES MATÉRIAUX NON COMBUSTIBLES. |  |
| AFIN D'ÉVITER UN RISQUE D'INCENDIE, LES DÉGAGEMENTS MINIMAUX AUX MATÉRIAUX COMBUSTIBLES DOIVENT ÊTRE MAINTENUS.  |  |
| L'ENCEINTE DE L'APPAREIL DOIT RESPECTER LA HAUTEUR MINIMALE REQUISE. MESUREZ À PARTIR DE LA BASE DE L'APPAREIL.  |  |
| SI DES ENSEMBLES DE MONTANTS EN ACIER AVEC PANNEAU DE CIMENT SONT FOURNIS, OU SPÉCIFIÉ DANS LES INSTRUCTIONS D'INSTALLATION, ILS DOIVENT ÊTRE INSTALLÉS.   |  |
| SI SPÉCIFIÉ DANS LES INSTRUCTIONS D'INSTALLATION, LES MATÉRIAUX DE FINITION DOIVENT ÊTRE NON-COMBUSTIBLES PLACER ÉCLAT AVEC LE FACE DE L'APPAREIL ÉTENDUE DU SOMMET DE L'APPAREIL COMME LE CONSEIL DE CIMENT, LE CARREAU EN CERAMIQUE, LE MARBRE, ETC. NE PAS UTILISÉ DES BÛCHES OU LE CLOISON SECHE. N'IMPORTE QUEL FEU A ÉVALUÉ DU COLISON SÈCHE N'EST PAS ACCEPTABLE.   |  |

FR

## 5.1 installation dans une enceinte combustible

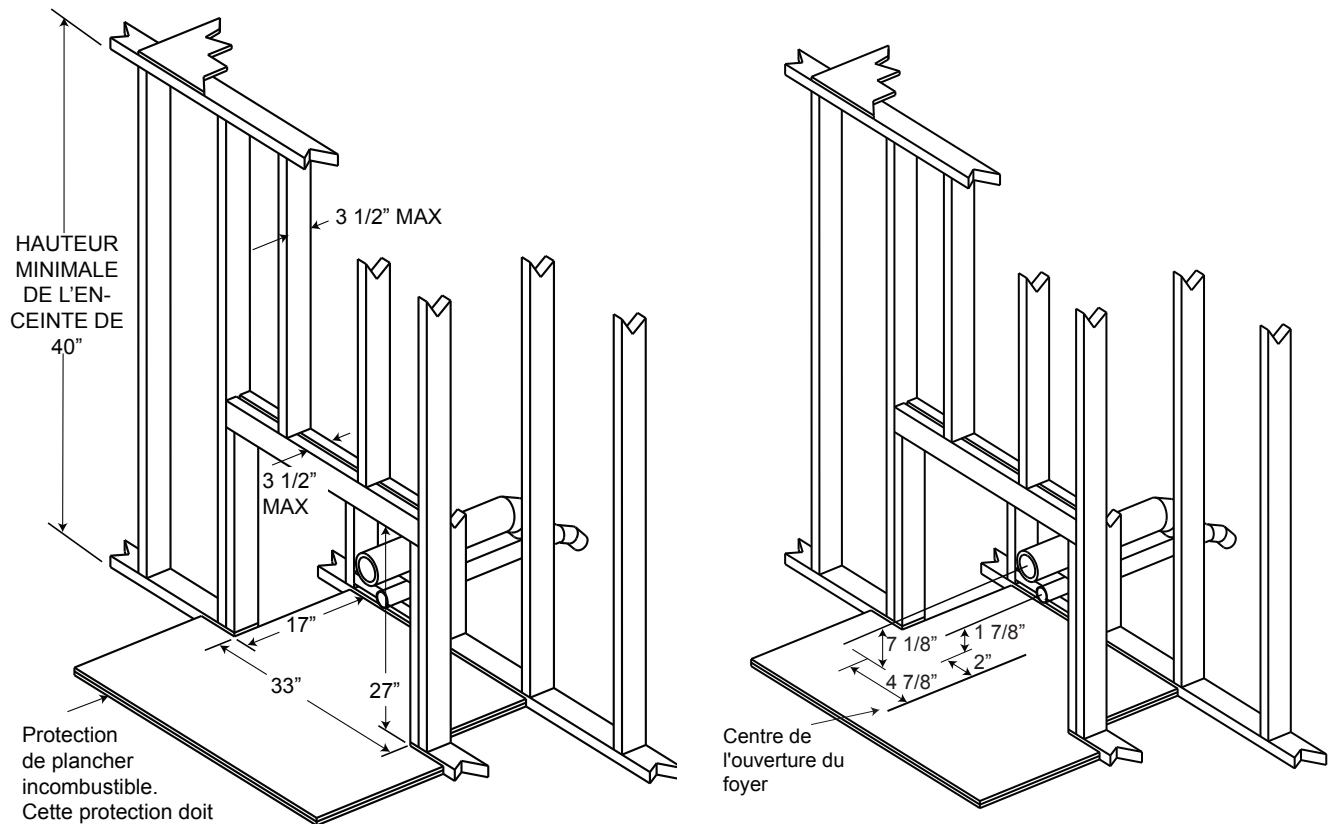
**AVERTISSEMENT**

**LA PRISE D'AIR EXTÉRIEUR EST OBLIGATOIRE POUR L'INSTALLATION DANS UNE ENCEINTE COMBUSTIBLE.**

Lorsque vous installez l'encasté comme appareil de chauffage encastré, il est important de vous conformer aux dégagements aux matériaux combustibles. Voir la section « dégagements minimaux aux matériaux combustibles ».

Une base de protection incombustible doit recouvrir le plancher situé en-dessous; de même que dépasser d'au moins 6 pouces sur le devant et de chaque côté l'appareil.

- A. Installez la protection de plancher.
- B. Encadrez la structure en respectant les dégagements minimaux. Localisez et encadrez les ouvertures de l'évacuation et de la prise d'air. Une prise d'air extérieur est obligatoire dans le cas des installations dans une « enceinte ». Voir la section « prise d'air extérieur ».
- C. Référez-vous aux directives d'installation du fabricant du système d'évacuation et à la section « évacuation générale ». Raccordez le conduit d'évacuation. Installez le contour. Voir la section « finition du NPI45 - installation du contour ».
- D. Lors de l'installation, vous devez prendre les dispositions nécessaires pour que l'encasté puisse être retiré pour l'inspection et l'entretien annuels. Installez le capuchon du conduit d'évacuation.



Protection de plancher incombustible. Cette protection doit avoir une valeur de résistance thermique de 0,4 (deux panneaux de béton léger de 1/2" superposés pour un total de 1" d'épaisseur, chaque panneau doit avoir une valeur de résistance thermique de 0,2).

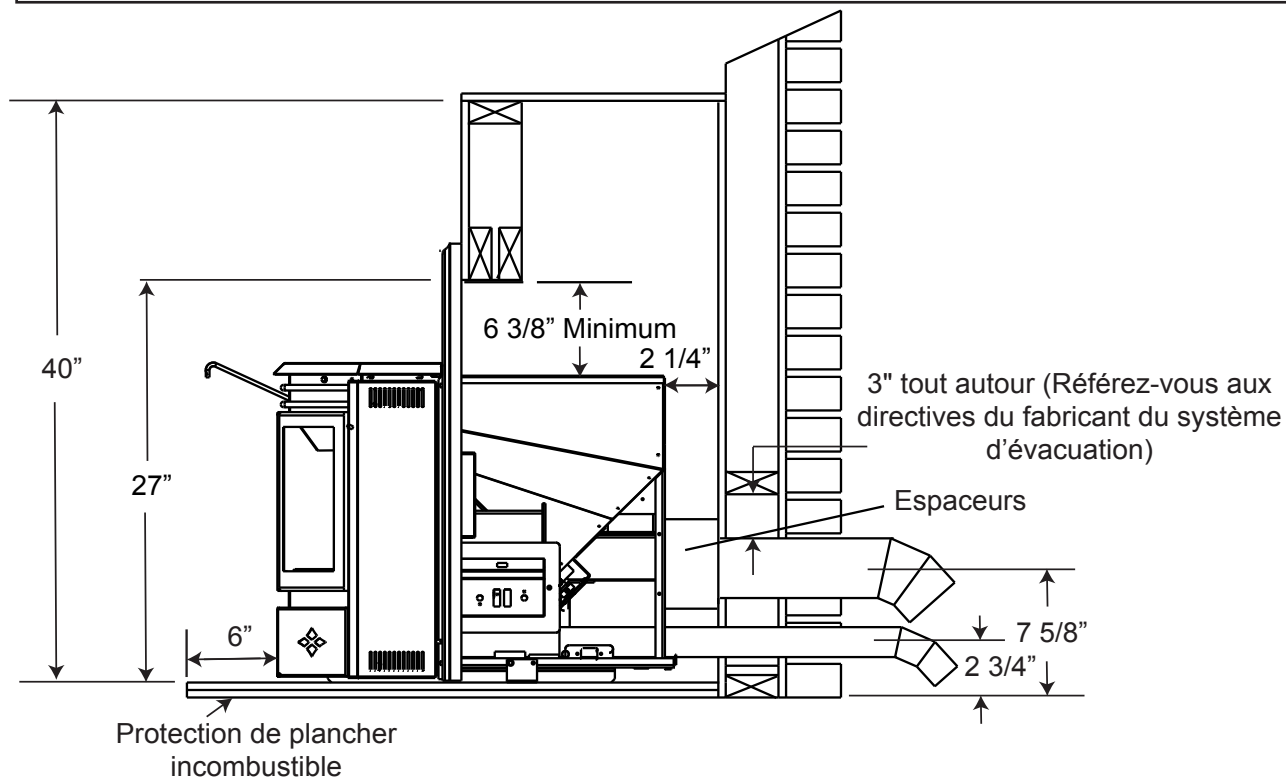
L'espace autour et au-dessus du foyer à l'intérieur de l'enceinte doit être libre afin de satisfaire aux contraintes de températures.



## 5.2 dégagements minimaux de l'enceinte

**! AVERTISSEMENT**

LES ESPACEURS SITUÉS À L'ARRIÈRE DE L'APPAREIL NE DOIVENT PAS ÊTRE ENLEVÉS LORSQUE L'ENCASTRÉ EST INSÉRÉ DANS UNE ENCEINTE COMBUSTIBLE.

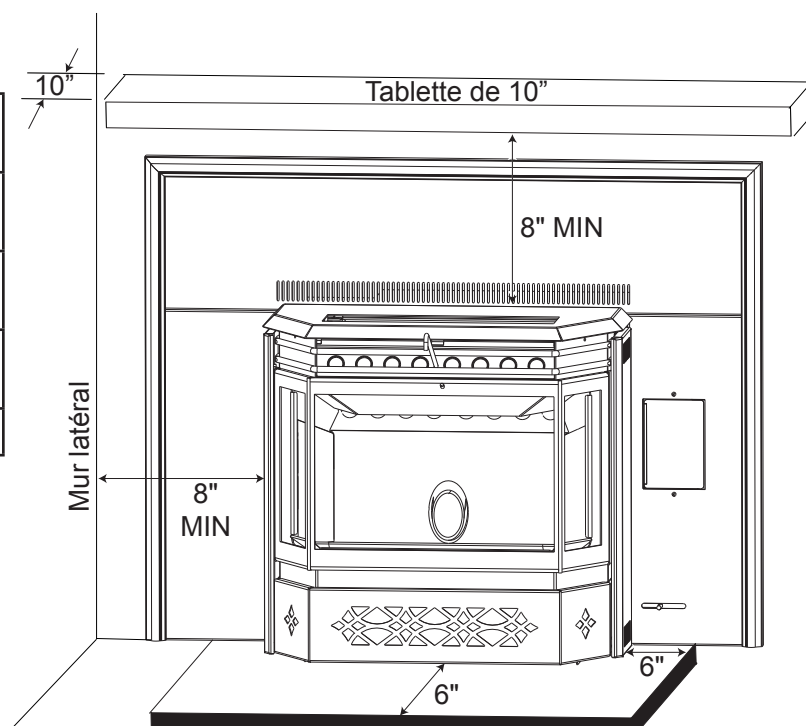


FR

## 5.3 dégagements minimaux aux matériaux combustibles

|  |                |
|--|----------------|
| Du mur latérale à l'appareil           | 8" (203mm)     |
| De la tablette au dessus de l'appareil | 8" (203mm)     |
| De la façade supérieure à l'appareil   | 6 3/8" (162mm) |
| De la façade latérale à l'appareil     | 6" (152mm)     |
| Protection de plancher*                | 6"* (152mm)    |

\* Protection de plancher : au moins 6" devant la porte et de chaque côté.

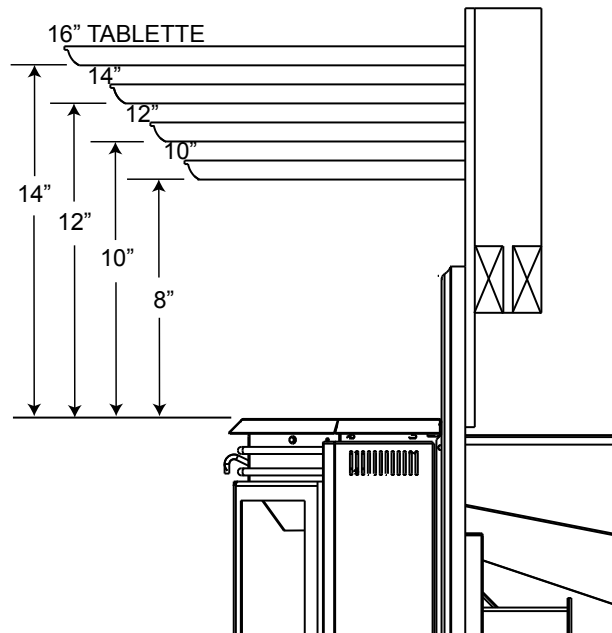


## 5.4 dégagements minimaux de la tablette

**! AVERTISSEMENT**

**RISQUE D'INCENDIE. CONSERVEZ TOUS LES DÉGAGEMENTS AUX MATÉRIEAUX COMBUSTIBLES SPÉCIFIÉS. NE PAS RESPECTER CES INSTRUCTIONS PEUT CAUSER UN INCENDIE OU UNE SURCHAUFFE. ASSUREZ-VOUS QUE TOUS LES DÉGAGEMENTS (ARRIÈRE, CÔTÉS, DESSUS, ÉVENTS, TABLETTE, FAÇADE, ETC.) SONT RESPECTÉS À LA LETTRE.**

**LORSQUE VOUS UTILISEZ DE LA PEINTURE OU DU VERNIS COMME FINITION POUR VOTRE TABLETTE, ASSUREZ-VOUS QU'ILS SOIENT RÉSISTANTS À LA CHALEUR AFIN DE PRÉVENIR LA DÉCOLORATION.**

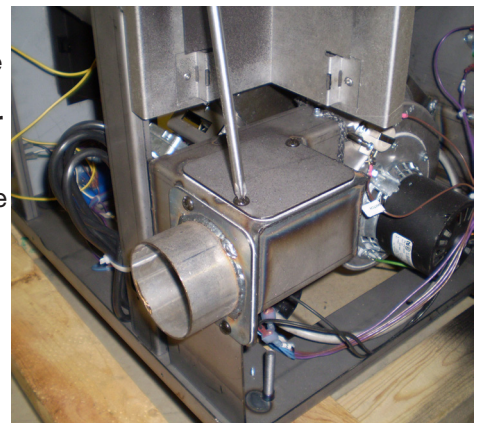


## 5.5 instructions de conversion de l'évacuation arrière l'évacuation sur le dessus

**NOTE :** L'encastré est livré avec une configuration d'évacuation par l'arrière. Attention de ne pas endommager le joint d'étanchéité.

Dans le cas de l'installation verticale d'un évent de 4" (102mm) de diamètre, il sera nécessaire de commencer avec une section de 12" (305mm) de long et de 3" (76mm) de diamètre afin de dégager le réservoir, puis d'accroître le diamètre à 4" (102mm).

- A. Pour une évacuation verticale, retirez les 2 vis qui retiennent le couvercle d'évacuation.
- B. Retirez les 2 vis qui retiennent le tube d'évacuation.
- C. Fixez le tube d'évacuation et le joint d'étanchéité en position verticale.
- D. Fixez le couvercle d'évacuation et le joint d'étanchéité sur la sortie horizontale.



## 6.0 finitions

### 6.1 installation de la porte vitrée

#### **! AVERTISSEMENT**

LA VITRE PEUT ÊTRE CHAUDE, NE TOUCHEZ PAS LA VITRE JUSQU'À CE QU'ELLE AIT REFROIDI.

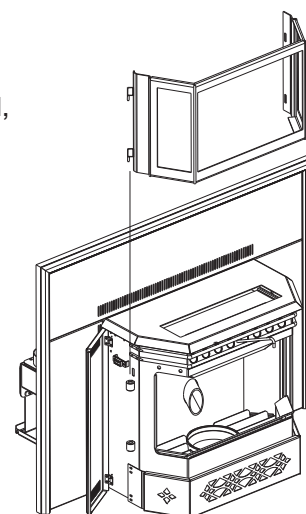
LES LOQUETS DE PORTE FONT PARTIE D'UN DISPOSITIF DE SÉCURITÉ ET DOIVENT ÊTRE ADÉQUATEMENT VERROUILLÉS. NE FAITES PAS FONCTIONNER L'APPAREIL LORSQUE LES LOQUETS SONT DÉVERROUILLÉS.

AVANT D'ENLEVER LA PORTE, ÉTEIGNEZ L'APPAREIL ET ATTENDEZ QUE CE DERNIER SOIT FROID AU TOUCHER. LES PORTES SONT LOURDES ET FRAGILES; MANIPULEZ AVEC SOIN.

FR

La porte vitrée été emballée à part de l'appareil, mais elle **DOIT** être installée avant de faire fonctionner l'appareil.

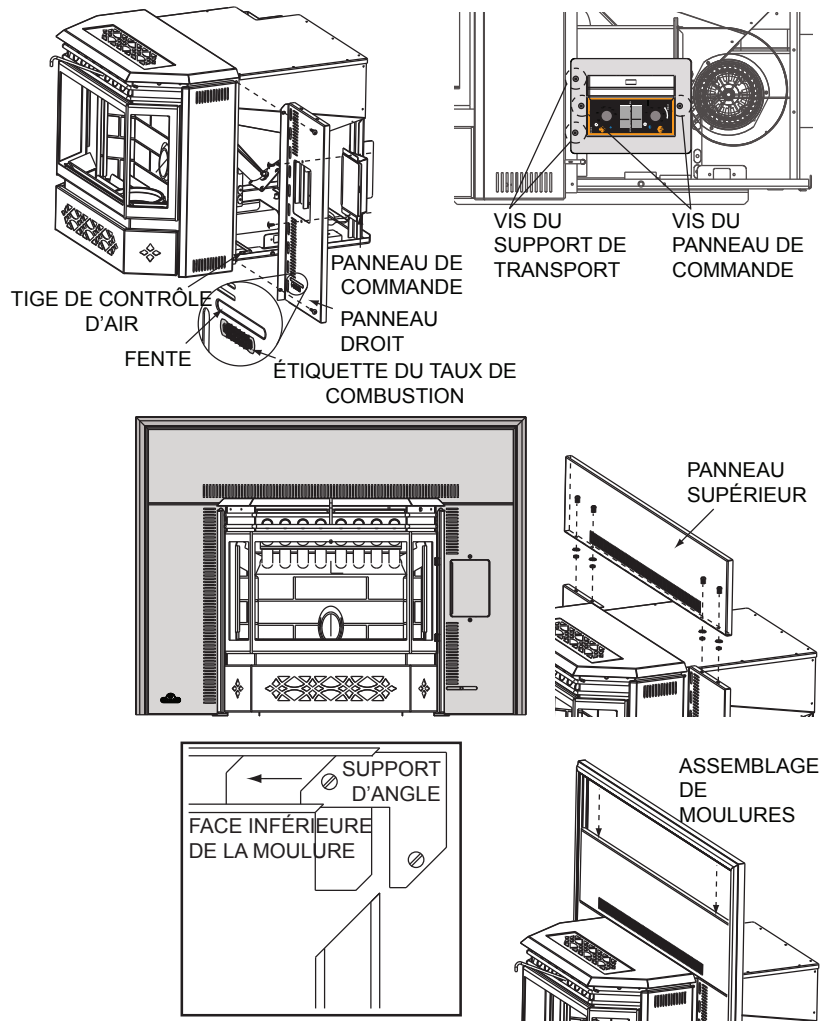
- A. Ouvrez les 2 panneaux latéraux de façon à exposer les bagues à la gauche et les loquets à la droite.
- B. Alignez les tiges sur la porte avec les bagues du côté gauche de l'appareil, abaissez la porte jusqu'à ce que les 2 bagues fassent contact.
- C. Insérez les crochets de loquets dans le cadre de la porte. Enclenchez le crochet de la poignée arrière afin de barrer le loquet.



INSERT ILLUSTRATED

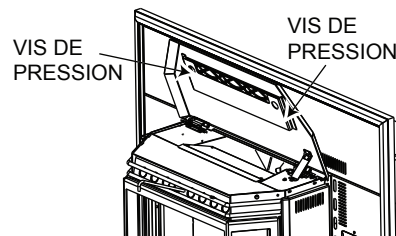
## 6.2 finition de l'encastré

- A.** Fixez le panneau droit au côté droit de l'appareil à l'aide de 2 des vis #8 x 1/2".
- B.** Retirez les 2 vis du panneau de commande et les vis du support de transport, jetez les vis et le support de transport.
- C.** Fixez le panneau de commande au panneau droit à l'aide des 2 vis #8 x 3/8". Fixez le panneau gauche à l'aide des 2 dernières vis #8 x 1/2".
- D.** Alignez les trous sur le dessus des panneaux gauche et droit avec ceux du rebord inférieur du panneau supérieur et fixez par l'arrière à l'aide des 4 vis #8-32 x 3/8", des rondelles et des écrous.
- E.** Les 3 pièces de moulure sont assemblées de la même façon qu'un cadre. Placez les supports d'angle (avec les vis non serrées) dans les sections de moulure. Serrez la vis pour que la pression retienne les pièces ensemble. Fixez l'autre section. Répétez ensuite avec le côté opposé. Serrez solidement toutes les vis.
- F.** Glissez l'assemblage de moulures sur le contour.
- G.** Fixez le logo dans le coin inférieur gauche du contour.



## 6.3 installation de la grille ornementale

La grille ornementale pour l'encastré est fixée à l'aide de 2 vis de pression à l'intérieur du couvercle de réservoir.



## 7.0 schéma de câblage

**! AVERTISSEMENT**

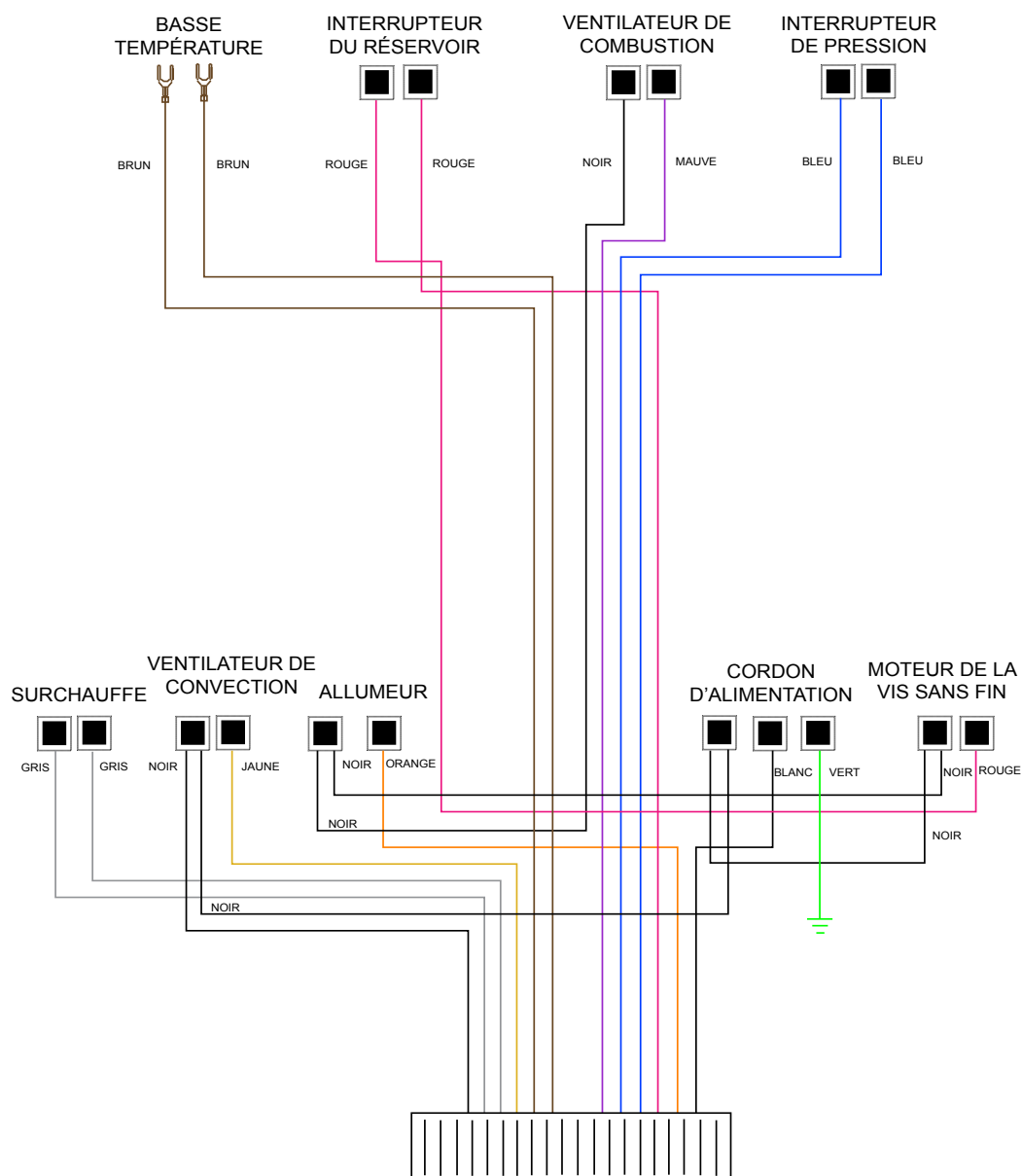
**N'UTILISEZ PAS CE FOYER SI UNE PARTIE QUELCONQUE A ÉTÉ SUBMERGÉE. CONTACTEZ IMMÉDIATEMENT UN TECHNICIEN DE SERVICE QUALIFIÉ POUR INSPECTER L'APPAREIL POUR DES DOMMAGES AU CIRCUIT ÉLECTRIQUE.**

**RISQUE DE CHOCS ÉLECTRIQUES OU D'EXPLOSION. NE BRANCHEZ PAS LE 110 V À LA SOUPAPE OU À L'INTERRUPTEUR MURAL DE L'APPAREIL. UN BRANCHEMENT ÉLECTRIQUE INCORRECT ENDOMMAGERA LES CONTRÔLES.**

**CET APPAREIL DOIT ÊTRE RACCORDÉ ÉLECTRIQUEMENT PAR UN ÉLECTRICIEN QUALIFIÉ CONFORMÉMENT AUX CODES LOCAUX. EN L'ABSENCE DE CODES LOCAUX, UTILISEZ LA VERSION COURANTE DU CODE CANADIEN DE L'ÉLECTRICITÉ CSA C22.1 AU CANADA OU LE NATIONAL ELECTRICAL CODE ANSI/NFPA 70 AUX ÉTATS-UNIS.**

**ALLUMEZ TOUJOURS LA VEILLEUSE, QUE CE SOIT POUR LA PREMIÈRE FOIS OU LORSQUE L'APPROVISIONNEMENT EN GAZ EST ÉPUISÉ, AVEC LA PORTE VITRÉE OUVERTE OU RETIRÉE.**

FR



## 8.0 instructions de fonctionnement

### 8.1 chargement adéquat des granules

Avant de charger les granules dans le réservoir, transférez les granules du sac de plastique d'origine à un seau métallique.

Gardez à l'esprit que la vis sans fin s'arrête quand le couvercle est ouvert. Si le couvercle reste ouvert pendant plusieurs minutes, le feu pourrait s'éteindre.

**Note :** Si les granules sont conservés dans le sac de plastique, le sac peut risquer d'entrer en contact avec le poêle, faisant fondre le sac et répandre les granules.

**NE chargez PAS des granules dans le réservoir qui ont été exposés à l'humidité. L'humidité peut faire gonfler les granules et causer un blocage dans le système d'alimentation. Séchez complètement les granules avant de les charger dans le réservoir.**

### 8.2 vérification pré-démarrage

Avant d'installer l'appareil, nous recommandons une inspection « PRÉ-COMBUSTION », pour faire évaporer les odeurs qui sont associées avec la première combustion. Si possible, placez le poêle à l'extérieur et chargez 5 livres de granules dans le réservoir. Branchez le cordon d'alimentation dans une prise de courant murale typique

L'appareil est muni d'un tableau de contrôle qui a été livré en mode manuel.


Quand vous démarrez un nouveau l'appareil à granules ou quand il ne reste plus de granules dans le réservoir, vous pouvez appuyer et garder appuyé le bouton d'alimentation en granules de la vis sans fin pour que les granules se rendent dans le brûleur plus rapidement.

- A. Appuyez sur le bouton ON / OFF.
- B. Le bouton d'alimentation vert « POWER » clignotera pour indiquer que le cycle de démarrage est amorcé. Le voyant rouge « HEAT » s'allume au réglage #1.
- C. La vis sans fin s'allume et fonctionne pendant environ 3 minutes.
- D. L'allumeur s'allume et restera allumé jusqu'à ce que le feu soit établi, ce qui est déterminé par la température du appareil.

**NOTE :** La flamme devrait apparaître dans le brûleur entre 3 à 7 minutes après le début du cycle de démarrage. Le cycle de démarrage devrait s'effectuer à l'intérieur de 12 à 15 minutes. Le débit d'alimentation en granules peut maintenant être ajusté ou le poêle retournera à son réglage précédent. Si le feu n'est pas établi en 15 minutes, le poêle s'éteindra et il faudra l'allumer de nouveau. Si l'appareil s'éteint, videz les granules du brûleur et recommencez.

Si l'appareil s'arrête, videz les granules dans le pot brûler et recommencez.

### 8.3 allumage manuel de l'appareil

|  |
|--|
|  <b>AVERTISSEMENT</b>   |
| <b>LE POÊLE PEUT ÊTRE CHAUD.</b>   |
| <b>AUTREMENT QUE POUR DÉPOSER UNE POIGNÉE DE GRANULES DANS LE BRÛLEUR LORS DE L'ALLUMAGE MANUEL, L'OUVERTURE DE LA PORTE VITRÉE NE DEVRAIT JAMAIS SERVIR À L'ALIMENTATION DU POÊLE EN GRANULES. SI UNE QUANTITÉ DE GRANULES SUPÉRIEURE À CELLE QUE PEUT FOURNIR LE TUBE D'ALIMENTATION ENTRE DANS LA CHAMBRE DE COMBUSTION, UNE « SURCHAUFFE » POURRAIT SURVENIR. LA COMBUSTION DES GRANULES DOIT UNIQUEMENT SE FAIRE DANS LE BRÛLEUR.</b> |

Le poêle peut être allumé manuellement sans l'allumeur automatique en suivant la procédure suivante.

- Appuyez sur le bouton ON / OFF.
- Placez une poignée de granules dans le brûleur.
- Couvrez d'une petite quantité de gel allume-feu approuvé (non volatil).
- Allumez avec une allumette et fermez la porte vitrée.

## 8.4 instructions d'allumage

Après avoir rempli le réservoir de granules, changez le contrôle au mode manuel afin de vous familiariser avec les fonctions.

Ne faites pas fonctionner votre poêle avec le tiroir à cendres, la porte vitrée ou le couvercle de réservoir ouvert. Des interrupteurs de sécurité désactiveront la vis sans fin.

- A. Appuyez sur le bouton ON / OFF pour initialiser le cycle de démarrage.
- B. Une fois que le cycle de démarrage est terminé (environ 12 à 15 minutes), des réglages pourront être effectués sur le panneau de commande.

## 8.5 commandes

### VOYANTS ROUGE

#### **Solid**

- Indique le débit d'alimentation en granules sélectionné.
- Lors du réglage du ventilateur, le voyant indiquera temporairement la vitesse du ventilateur, puis reviendra au réglage de la chaleur.

#### **Témoin clignotant**

- Indique une défaillance du système.

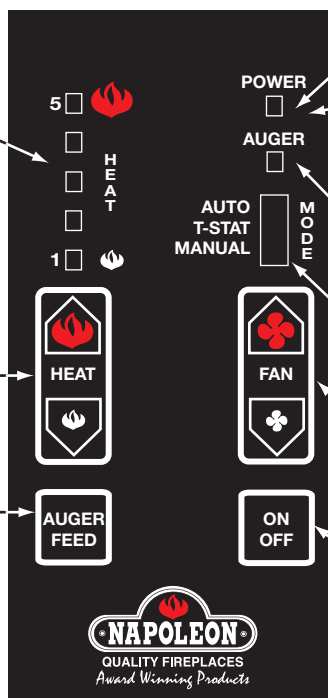
### RÉGLAGE DE LA CHALEUR

Augmente ou diminue le niveau de chaleur.

### ALIMENTATION DE LA VIS

#### **SANS FIN**

Alimentation rapide en granules.



### VOYANT ROUGE

Cycle de démarrage

### VOYANT VERT

#### **Fixe**

Mode de fonctionnement normal.

#### **Témoin clignotant**

- Fonctionnement au ralenti au niveau de chaleur minimal.

### LUMIÈRE AMBRÉE

Auger tourne.

### MODE DE FONCTIONNEMENT

Règle le mode de fonctionnement du chauffage.

### RÉGLAGE DU VENTILATEUR

Augmente ou diminue la vitesse du ventilateur de convection.

### ON / OFF

Utilisé pour éteindre et allumer l'appareil.

### AUTO / T-STAT / MANUAL

Cet interrupteur sert à sélectionner le mode de fonctionnement.

**MANUAL:** En glissant l'interrupteur vers le bas à manuel, vous pourrez sélectionner manuellement les réglages de température et du ventilateur. En mode manuel, le poêle fonctionnera aux réglages désirés indéfiniment, jusqu'à ce que vous éteigniez le poêle ou qu'il ne reste plus de granules.

**T-STAT:** Si vous voulez que le poêle fonctionne avec un thermostat, glissez l'interrupteur à la position du milieu (T-STAT). En mode T-STAT, le thermostat contrôlera le rendement calorifique en alternant entre le niveau de température le plus bas et le niveau présélectionné. Quand la température du réglage est atteinte, le poêle fonctionnera au niveau de température le plus bas.

**AUTO:** Glissez l'interrupteur à la position supérieure (AUTO). Tout comme le mode T-STAT, le mode auto fonctionne à l'aide d'un thermostat. La différence étant que si le thermostat ne fait pas démarrer le chauffage pendant une période de 60 minutes, le poêle d'éteindra complètement. Quand le thermostat démarre le chauffage, il amorce un cycle de démarrage. Ce mode de fonctionnement est conseillé au printemps et à l'automne puisque le poêle est seulement nécessaire périodiquement.

**ON / OFF**

Utilisez ce bouton pour allumer et éteindre le poêle.

**HEAT (CHALEUR):** Si vous appuyez la flèche HEAT qui pointe vers le haut (rouge), ceci augmentera le niveau de chaleur d'un réglage. Si vous appuyez sur la flèche HEAT qui pointe vers le bas (blanche), ceci diminuera le niveau de chaleur d'un réglage. Durant le démarrage, le voyant vert clignotera et ces boutons ne pourront être actionnés. Les voyants rouges dans la partie supérieure gauche du contrôle indiqueront le réglage de température de 1 à 5.

**FAN (VENTILATEUR):** Si vous appuyez sur la flèche FAN qui pointe vers le haut (rouge), ceci augmentera la vitesse du ventilateur d'un réglage. Si vous appuyez sur la flèche FAN qui pointe vers le bas (blanche), ceci diminuera la vitesse du ventilateur d'un réglage. Lors du réglage du ventilateur, le voyant indiquera temporairement la vitesse du ventilateur, puis reviendra au réglage de la chaleur.

**AUGER FEED (VIS SANS FIN):** Appuyer et maintenir enfoncé ce bouton accélérera la vitesse d'alimentation en granules. Ceci est pratique quand vous utilisez le poêle pour la première fois ou quand vous avez complètement vidé le réservoir et vous devez redémarrer le poêle.

## 8.6 réglages des commandes

### **RÉGLAGE DE L'ALIMENTATION**

La vitesse de la soufflerie et la vitesse d'alimentation ont été préréglées en usine, mais devront possiblement être ajustées durant l'installation. En raison des variantes (c.-à-d. la grosseur et la longueur de l'évent, la qualité des granules), les préréglages en usine peuvent s'avérer moins qu'idéaux dans chacune des installations. Pour éviter que la flamme ne s'éteigne lorsque réglée à l'intensité minimale, la vitesse d'alimentation peut être réglée une fois en mode de fonctionnement normal (après le cycle de démarrage de 15 minutes). Enfoncez et maintenez le bouton d'amorçage pendant que vous appuyez sur le bouton de réglage de la chaleur. Ceci augmentera légèrement la quantité de granules qui alimente le brûleur. Quand vous réglez la vitesse d'alimentation pour la première fois, les voyants à DEL afficheront (les niveaux #1 et #3) indiquant que l'appareil a été préréglé en usine au niveau (#2) avec la possibilité d'augmenter d'un niveau (#3) ou de diminuer d'un niveau (#1) la durée de temps entre le cycle d'amorçage.

### **RÉGLAGE DE LA SOUFFLERIE**

Tout comme la vitesse d'alimentation, il sera peut-être nécessaire de régler la vitesse du ventilateur de combustion. En raison des installations particulières, il sera peut-être nécessaire d'augmenter ou de diminuer la quantité d'air qui circule à travers le brûleur pour atteindre une efficacité maximale. Quand vous êtes en mode de fonctionnement normal, enfoncez et maintenez le bouton d'alimentation de la vis sans fin. Tout comme pour le réglage de l'alimentation, les voyants DEL indiqueront le niveau du réglage (le voyant #3 est le réglage en usine). Pour ajuster le débit, appuyez sur les touches fléchées du ventilateur tout en enfonçant le bouton d'alimentation de la vis sans fin.

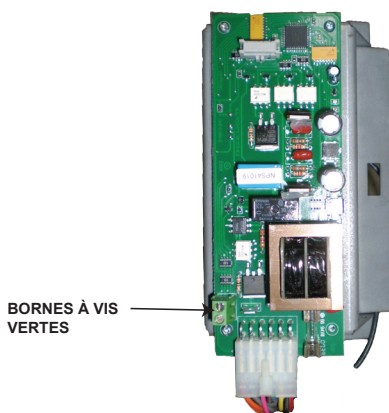


## 8.7 installation d'un thermostat ou de la télécommande

Un thermostat millivolt optionnel est disponible pour vous aider a garder la température de la pièce constante.

**NOTE: Le thermostat doit être installé par un installateur qualifié.**

- A. Débranchez l'alimentation électrique.
- B. Enlevez le panneau latéral droit pour avoir accès à l'arrière du panneau de commande.
- C. Dénudez et branchez les fils du thermostat aux bornes à vis vertes à l'arrière du panneau de commande.
- D. Passez le fil du thermostat à travers l'espace entre la base du caisson et le panneau latéral droit.  
**NOTE : La commande doit être en mode T-STAT ou AUTO pour contrôler l'appareil à l'aide d'un thermostat.**



## 8.8 directives d'arrêt

Poussez la "ON/OFF" bouton. Votre appareil se met vers le bas et le ventilateur restera en fonctionnement jusqu'à ce que votre appareil ait refroidi.

## 9.0 bruits de fonctionnement normaux

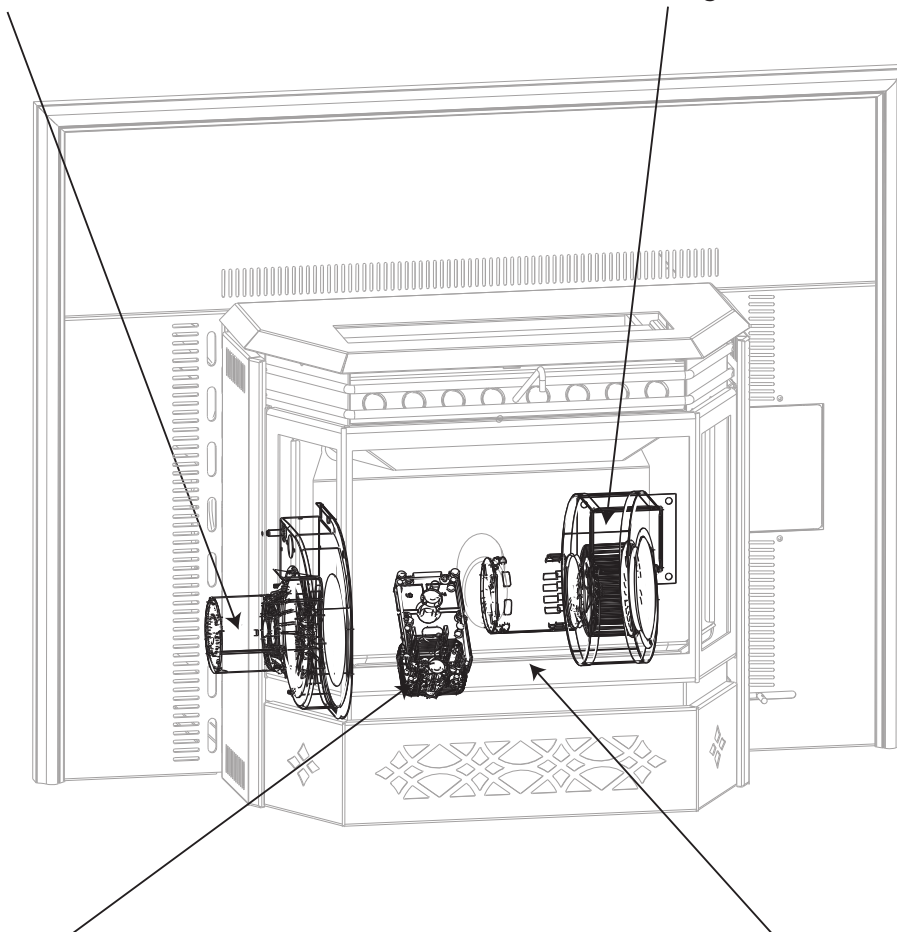
FR

### Ventilateur d'évacuation

La circulation des gaz de combustion peut créer un bourdonnement grave. Lorsque le débit d'alimentation en granules est modifié, ce bruit changera.

### Ventilateur de convection\*

Un faible bourdonnement peut être perceptible en raison de la haute efficacité du ventilateur, particulièrement lorsqu'il est à «HIGH». Lorsque le bouton de réglage du ventilateur est tourné, ce bruit changera.



### Moteur de la vis sans fin

Un bourdonnement irrégulier en provenance du moteur peut être perceptible lors de l'alimentation en granules.

### Brûleur

Un léger clic peut être perceptible lorsque les granules sont acheminés dans le brûleur.

\* **NOTE** : « Mode silencieux » (NPS45 seulement): Lorsque le poêle est en mode veilleuse ou attente, cette fonction désactive la soufflerie de convection, indépendamment du réglage. La soufflerie se mettra en marche lors de l'allumage afin de refroidir les composants, puis elle s'éteindra de nouveau. Si le poêle est au niveau de chaleur no 1, la soufflerie s'arrêtera dès la fin du cycle d'allumage. Si la soufflerie fonctionne au niveau de chaleur no 2 à 5 et que l'appareil est réglé au niveau de chauffage no 1, alors la soufflerie demeurera allumée jusqu'à ce que les composants soient refroidis. Ces mêmes conditions s'appliquent pour le mode T-STAT.

## 10.0 maintenance

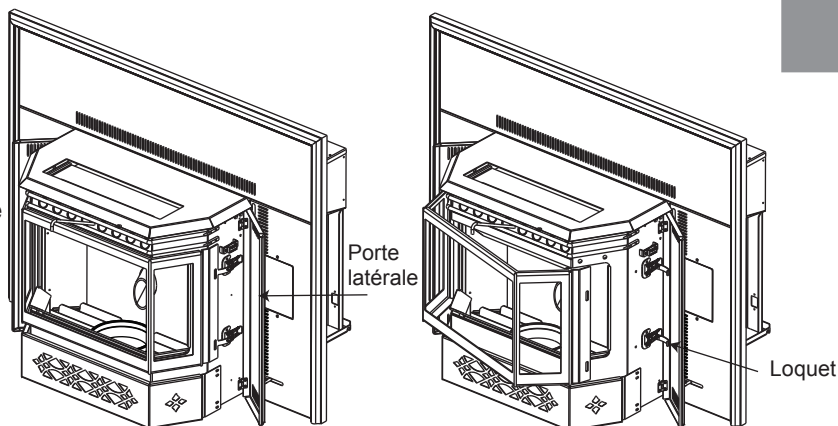
### 10.1 quotidien

#### ! AVERTISSEMENT

LE DEVANT DU POÊLE DEVIENT TRÈS CHAUD DURANT LE FONCTIONNEMENT. LAISSEZ LE POÊLE REFROIDIR COMPLÈTEMENT AVANT D'EFFECTUER UN ENTRETIEN.

#### 10.1.1 ouverture de la porte vitrée

- A. Ouvrez les portes latérales de chaque côté du appareil.
- B. Sur le côté droit du appareil se trouvent 2 loquets. Déverrouillez les loquets en tirant vers l'avant la poignée arrière et en déclenchant le crochet du cadre de la porte.
- C. Faites pivoter la porte vitrée pour l'ouvrir.

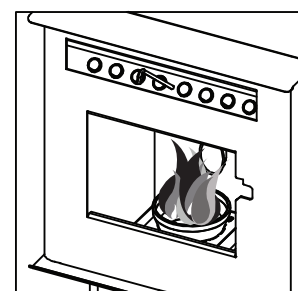


#### 10.1.2 enlèvement des cendres

Les cendres doivent être placées dans un contenant métallique avec un couvercle hermétique. Le contenant doit être placé sur une surface incombustible, à une distance éloignée de tout matériau combustible jusqu'à ce que vous les jetiez. Si les cendres sont enterrées ou dispersées localement, elles devraient demeurer dans le contenant métallique jusqu'à ce qu'elles aient complètement refroidi.

#### 10.1.3 inspection du brûleur

Lors de la combustion, les flammes devraient être de couleur orange vif avec des braises qui sautillent du brûleur. Si non, voir les sections « assurez-vous que les granules ne s'accumulent pas » et « nettoyage du brûleur ».



#### 10.1.4 nettoyage des pièces plaquées

Si l'appareil est muni de pièces plaquées, vous devez enlever toutes traces de doigts ou autres marques des surfaces plaquées avant d'allumer l'appareil pour la première fois. Utilisez un nettoyant à vitres ou du vinaigre et un linge pour nettoyer. Si la surface plaquée n'est pas bien nettoyée avant le premier allumage de l'appareil, elle risque de rester marquée en permanence. Une fois que la surface plaquée aura chauffé, les traces de doigts et le gras n'affecteront plus la surface et très peu d'entretien sera requis; vous n'aurez qu'à l'essuyer au besoin. Une combustion prolongée à haute température avec la porte ouverte peut causer une décoloration des pièces plaquées.

**NOTE:** L'emballage de protection sur les pièces plaquées s'enlève mieux lorsque l'assemblage est à température ambiante ou lorsqu'il est chauffé avec un séchoir à cheveux ou une autre source de chaleur similaire.

### 10.1.5 nettoyage de la porte vitrée

**NE NETTOYEZ PAS LA VITRE QUAND ELLE EST CHAUDE! N'UTILISEZ PAS DE NETTOYANTS ABRASIFS POUR NETTOYER LA VITRE OU LES PIÈCES PLAQUÉES.**

Polissez légèrement à l'aide d'un linge propre et sec. Nettoyez la vitre avec un nettoyeur recommandé après les dix premières heures de fonctionnement. Par la suite, nettoyez aussi souvent qu'il le faudra, sinon la vitre risque de rester marquée en permanence.

Référez-vous à la section « rechanges » pour trouver les vitres dont est muni ce produit et l'épaisseur de celle-ci.

Utilisez uniquement une vitre de rechange de votre détaillant autorisé. **N'UTILISEZ PAS DE MATÉRIAUX SUBSTITUTS.**

Si l'appareil est muni de pièces plaquées, vous devez nettoyer les empreintes de doigts ou toute autre marque sur les surfaces plaquées avant d'utiliser l'appareil pour la première fois. Utilisez un nettoyeur pour vitre ou du vinaigre et un linge pour nettoyer. Si les pièces ne sont pas bien nettoyées avant la première utilisation, les marques peuvent rester en permanence sur le placage. Après que le placage aura chauffé, les empreintes et les huiles n'affecteront pas la finition et peu d'entretien est requis, essuyez simplement au besoin.



### 10.1.6 nettoyage des tubes d'échangeur de chaleur

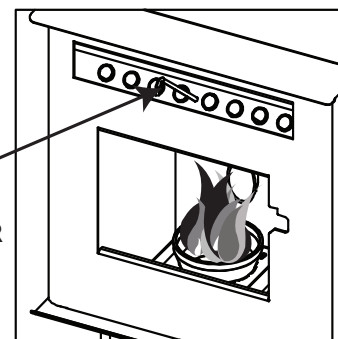


Lorsque le poêle est refroidi (sinon portez des gants antichaleur), glissez la tige autonettoyante de haut en bas à plusieurs reprises afin de prévenir l'accumulation de cendre sur les tubes d'échangeur de chaleur.

Gardez la porte vitrée fermée afin que les cendres fines ne pénètrent pas dans la pièce.

**Note :** Un nettoyage plus fréquent pourrait être nécessaire selon la qualité des granules.

TIGE DE NETTOYAGE DE L'ÉCHANGEUR DE CHALEUR

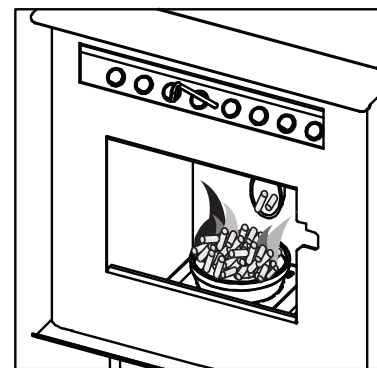


### 10.1.7 assurez-vous que les granules ne s'accumulent pas

Si les flammes semblent provenir seulement des côtés ou si leur couleur est orange foncé, éteignez le poêle et vérifiez pour des accumulations de granules. Si les granules s'accumulent au-dessus du brûleur, tournez l'alimentation en granules à « OFF ».

#### Les causes les plus probables sont :

- A. Le taux d'alimentation a été réglé au maximum pour une période prolongée. Tournez le bouton d'alimentation à 3 ou 4.
- B. La porte, la vitre ou le tiroir à cendres est ouvert ou il y a une fuite d'air.
- C. Le brûleur nécessite un nettoyage.
- D. Le système d'évacuation nécessite un nettoyage.
- E. Le poêle nécessite des ajustements.
- F. Mauvaise qualité de granules.



FR

### 10.1.8 nettoyage du brûleur

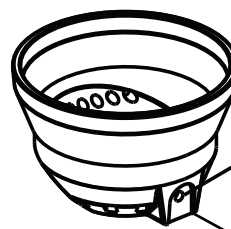
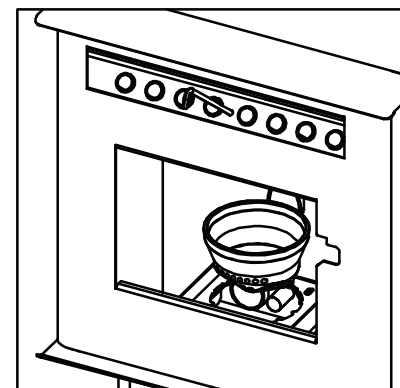
## ! AVERTISSEMENT

**ASSUREZ-VOUS QUE LE POÊLE EST COMPLÈTEMENT REFROIDI (ENVIRON 25 MINUTES) AVANT D'OUVRIR LA PORTE ET D'EFFECTUER UN ENTRETIEN. CONDUCTING SERVICE.**

Pour nettoyer le brûleur, ouvrez la porte et cognez le brûleur afin d'y déloger les débris. S'il est très bouché, retirez le brûleur afin d'avoir une meilleure accessibilité. Si vous retirez le brûleur, déposez-le sur une surface incombustible. Une fois enlevé, jetez toutes les matières accumulées dans le brûleur.

Assurez-vous que tous les orifices sont exempts d'accumulation de cendre au niveau du rebord sous le brûleur.

Réinstallez le brûleur en vous assurant qu'il repose bien au niveau dans l'appareil. De plus, assurez-vous que les encoches de positionnement de l'allumeur et du brûleur sont bien alignées.



ENCOCHE DE POSITIONNEMENT



ALLUMEUR

## 10.2 toutes les 2 semaines (ou à tous les 10 sacs de granules)

### 10.2.1 nettoyer le caisson à l'aspirateur

# ! AVERTISSEMENT

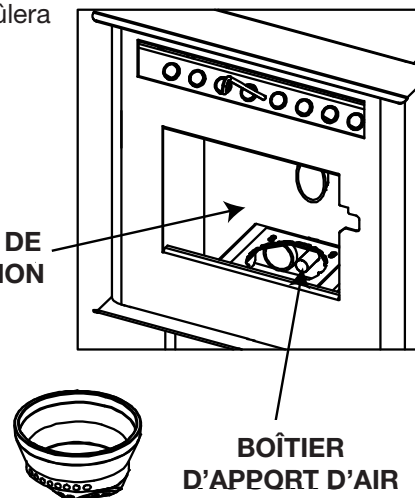
LA CHAMBRE DE COMBUSTION DEVIENT TRÈS CHAUDE LORS DU FONCTIONNEMENT. LAISSEZ L'APPAREIL SE REFROIDIR COMPLÈTEMENT AVANT D'EFFECTUER L'ENTRETIEN.

N'ASPIREZ JAMAIS DE GRANULES BRÛLANTS.

Plus vous nettoyez les cendres fines fréquemment, plus votre appareil brûlera efficacement.

- A. Ouvrez la porte vitrée.
- B. Retirez le brûleur en le soulevant et placez-le sur une surface incombustible.
- C. Passez l'aspirateur dans la chambre de combustion. N'utilisez pas un aspirateur ménager pour nettoyer l'appareil. Nous vous conseillons d'utiliser un aspirateur avale-tout qui est muni d'un filtre à poussière fine ou un aspirateur qui est spécialement conçu pour aspirer les cendres et la suie. Si vous utilisez un aspirateur qui n'est pas muni d'un filtre fin, il pourrait s'obstruer et disperser des cendres fines et de la suie dans la pièce. **NOTE : Attendez que l'appareil soit complètement refroidi avant de passer l'aspirateur dans l'appareil. Si vous aspirez des granules brûlants, l'aspirateur pourrait prendre feu et un incendie pourrait s'ensuivre.**

CHAMBRE DE  
COMBUSTION



Réinstallez le brûleur en vous assurant qu'il repose bien au niveau dans l'appareil. De plus, assurez-vous que les encoches de positionnement de l'allumeur et du brûleur sont bien alignées.

### 10.3 tous les 6 mois (ou à chaque 2 tonnes de granules)

|  |
|--|
| <b>! AVERTISSEMENT</b>   |
| <b>LE CAISSON DEVIENT TRÈS CHAUD DURANT LE FONCTIONNEMENT. LAISSEZ LE POÊLE REFROIDIR COMPLÈTEMENT AVANT D'EFFECTUER UN ENTRETIEN.</b>   |
| <b>DÉBRANCHEZ LE CORDON D'ALIMENTATION AVANT D'EFFECTUER UN ENTRETIEN.</b>   |
| <b>LA SECTION SUIVANTE EXPLIQUE EN DÉTAIL DES PROCÉDURES D'ENTRETIEN COMPLEXES. NOUS VOUS CONSEILLONS FORTEMENT DE FAIRE FAIRE CET ENTRETIEN PAR UN TECHNICIEN DE SERVICE QUALIFIÉ, POSSIBLEMENT VIA UNE ENTENTE DE SERVICE CONTRACTÉ AVEC VOTRE DÉTAILLANT.</b> |

FR

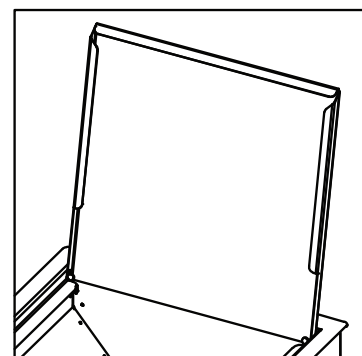
**NOTE :** Un nettoyage plus fréquent pourrait être nécessaire selon la qualité des granules.

#### 10.3.1 nettoyage du réservoir avec un aspirateur

Plus vous nettoyez les cendres fines fréquemment, plus votre appareil brûlera efficacement.

- A.** Faites fonctionner l'appareil jusqu'à ce que la réserve de granules soit épuisée, ouvrez ensuite le réservoir et passez l'aspirateur dans tout le réservoir.

La poussière et tout autre débris se trouvant près du fond doivent être enlevés afin d'éviter des accumulations excessives.



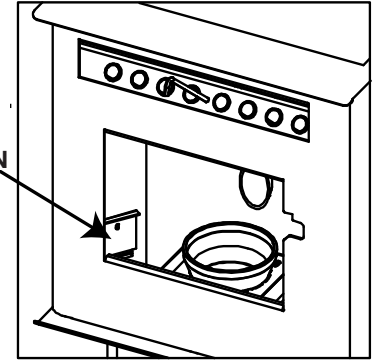
#### 10.3.2 formation de suie et de cendres fines

Les produits de combustion contiendront des petites particules de cendres fines. Les cendres fines s'accumuleront dans le système d'évacuation et diminueront la circulation des gaz de combustion. Une combustion incomplète survient durant l'allumage, l'arrêt ou un mauvais fonctionnement du poêle, causant ainsi des accumulations de suie dans le système d'évacuation. Le système d'évacuation doit être inspecté au moins une fois par année afin de déterminer si un nettoyage est nécessaire.

### 10.3.3 nettoyage du conduit d'évacuation vertical

- A. Ouvrez la porte vitrée complètement.
- B. Enlevez la vis sur chaque orifice d'évacuation situé dans la chambre de combustion. Enlevez les portes des orifices d'évacuation et placez-les sur une surface incombustible.

ORIFICE  
D'ÉVACUATION



Insérez le boyau de l'aspirateur dans les orifices d'évacuation et aspirez le maximum de cendres fines qui se trouvent derrière les collecteurs d'évacuation gauche et droit. N'utilisez pas un aspirateur ménager pour nettoyer l'appareil. Nous vous conseillons d'utiliser un aspirateur avale-tout qui est muni d'un filtre à poussière fine ou un aspirateur qui est spécialement conçu pour aspirer les cendres et la suie. Si vous utilisez un aspirateur qui n'est pas muni d'un filtre fin, il pourrait s'obstruer et disperser des cendres fines et de la suie dans la pièce. **NOTE : Attendez que l'appareil soit complètement refroidi avant de passer l'aspirateur dans l'appareil. Si vous aspirez des granules brûlants, l'aspirateur pourrait prendre feu et un incendie pourrait s'ensuivre.**

Une fois nettoyés, remplacez les portes des orifices d'évacuation et fixez avec les vis.

### 10.3.4 nettoyage du boîtier d'évacuation (encastré seulement)

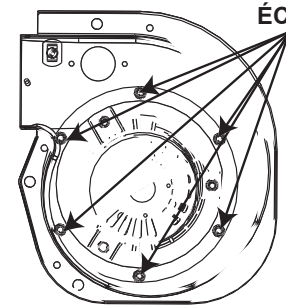
Pour nettoyer le ventilateur d'évacuation et le boîtier d'évacuation, vous devez sortir le poêle de la cavité du foyer. Retirez le conduit du collet d'évacuation. Si l'évacuation est sur le dessus, enlevez la plaque de l'arrière du boîtier. Si l'évacuation se fait à l'arrière, enlevez la plaque du dessus du boîtier. Passez l'aspirateur du boîtier jusqu'à la sortie du ventilateur.

### 10.3.5 nettoyage du ventilateur d'évacuation

**Note :** Ne tentez pas d'effectuer cet entretien sans avoir un joint plat de rechange pour le moteur du ventilateur d'évacuation.

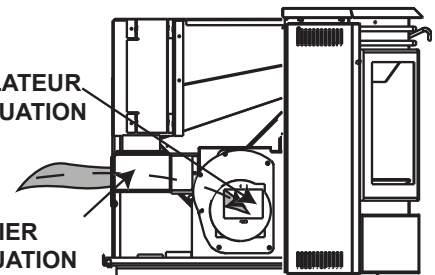
- A. Retirez les six écrous servant à fixer le moteur du ventilateur d'évacuation.
- B. Retirez le moteur en prenant soin de ne pas endommager le filage, débranchez les deux fils qui sont branchés au moteur et mettez soigneusement de côté le moteur. Les morceaux de joint plat peuvent être jetés.
- C. Commencez par nettoyer le tube d'évacuation en insérant une brosse ou un chiffon dans le tube pour ensuite sortir hors du boîtier du ventilateur d'évacuation.
- D. Passez l'aspirateur sur les orifices d'évacuation et dans le boîtier du ventilateur.
- E. À l'aide de la brosse d'aspirateur, nettoyez les pales du moteur.
- F. Placez le nouveau joint plat du ventilateur d'évacuation autour des trous de vis en prenant soin de ne pas le déchirer.
- G. Rebranchez les fils au moteur et remplacez-le dans le boîtier en vous assurant que le côté du moteur ne déchire pas le joint plat, puis fixez les écrous.

ÉCROUS



VENTILATEUR  
D'ÉVACUATION

BOÎTIER  
D'ÉVACUATION





### 10.3.6 vérification de l'étanchéité

Vérifiez pour des fuites d'air autour de la porte, de la vitre et du tiroir à cendres, puis remplacez les joints plats tel qu'exigé.

Les fuites d'air à l'intérieur de la chambre de combustion diminueront considérablement la performance du poêle, causant une suie excessive, une combustion inefficace et possiblement un mauvais fonctionnement de l'appareil.

Vérifiez l'étanchéité de la porte en fermant la porte sur un morceau de papier à différents endroits. Si le papier se retire facilement, de l'air peut fuir du joint de la porte. Inspectez soigneusement le joint de la porte et le loquet de porte.

Inspectez le joint de la porte pour vous assurer qu'il est bien fixé. De la pâte à joints pour poêle peut être utilisée pour refixer le joint s'il y a lieu. Si le joint de la porte est usé ou aplati, remplacez-le.

Vérifiez la porte pour vous assurer que les loquets enclenchent correctement. Le loquet devrait s'enclencher avec un peu de résistance sans être toutefois trop difficile à verrouiller.

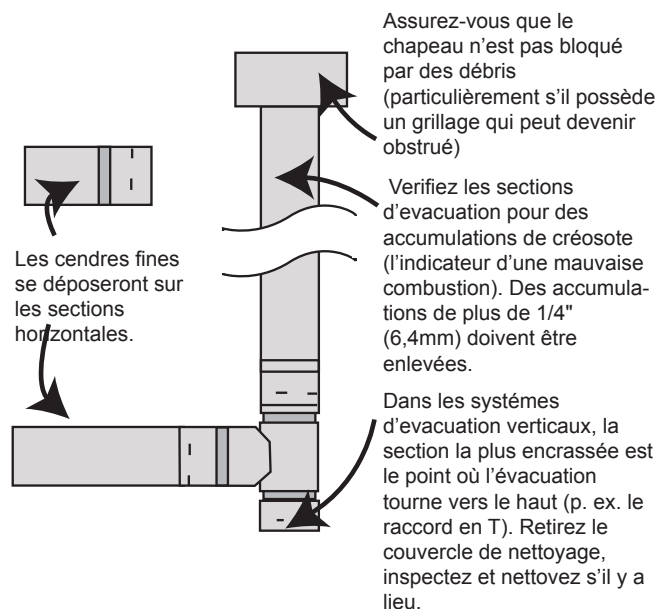
Si la vitre est fissurée, remplacez-la.

### 10.3.7 nettoyage de l'évacuation

## ! AVERTISSEMENT

**LORSQU'UNE PARTIE DU SYSTÈME D'ÉVACUATION EST DÉBRANCHÉE, LES JOINTS DOIVENT ÊTRE SCELLÉS À NOUVEAU AVEC DE LA SILICONE RTV 500°F / 260°C.**

Le système d'évacuation doit être nettoyé en utilisant des brosses à cheminée. Nous recommandons que ce soit fait par un ramoneur qualifié.



#### 10.4 dans l'éventualité où la vis sans fin bloque

### **AVERTISSEMENT**

**DÉBRANCHEZ LE CORDON D'ALIMENTATION AVANT D'EFFECTUER UN ENTRETIEN.**

Il pourrait arriver occasionnellement que du combustible humide ou des objets se coincent dans la vis de la vis sans fin. Quand cela se produit, il faudra vider le réservoir ou enlever la vis de l'assemblage du réservoir.

Commencez par vider les granules du réservoir. Parfois, l'objet qui empêche la vis de tourner sera visible une fois que le réservoir est vidé. S'il est nécessaire d'enlever la vis, commencez par enlever les deux panneaux latéraux et le panneau arrière. Localisez le moteur de la vis sans fin, enlevez la vis de pression qui sert à fixer le moteur à la vis de la vis sans fin.

Enlevez les deux boulons hexagonaux du boîtier de la vis sans fin ce qui permettra à la vis de la vis sans fin de glisser vers l'extérieur. Après avoir enlevé la tige, inspectez-la pour localiser des cannelures hélicoïdales tordues, des bavures ou des soudures brisées. Enlevez tout objet qui aurait pu causer le blocage. Vérifiez également le tube de la vis sans fin pour des dommages tels des bavures, des endroits rugueux ou des coupures dans le métal qui auraient pu causer un blocage.

## 11.0 rechanges



### AVERTISSEMENT

**OMETTRE DE POSITIONNER LES PIÈCES CONFORMÉMENT À CE MANUEL OU D'UTILISER UNIQUEMENT DES PIÈCES SPÉCIFIQUEMENT APPROUVÉES POUR CET APPAREIL PEUT CAUSER DES DOMMAGES MATÉRIELS OU DES BLESSURES CORPORELLES.**

Contactez votre détaillant pour les questions concernant les prix et la disponibilité des pièces de rechange. Normalement, toutes les pièces peuvent être commandées chez votre détaillant autorisé.

**POUR UN REMPLACEMENT DE PIÈCE SOUS GARANTIE, UNE PHOTOCOPIE DE LA FACTURE ORIGINALE SERA REQUISE AFIN DE POUVOIR HONORER LA DEMANDE.**

Lorsque vous commandez des pièces, donnez toujours l'information suivante :

- Modèle et numéro de série de l'appareil
- Date d'installation de l'appareil
- Numéro de la pièce
- Description de la pièce
- Fini

**PIÈCES, NUMÉRO DES PIÈCES ET SI'IL SOIT DISPONIBILITÉ PEUT CHANGER SANS PRÉAVIS.**

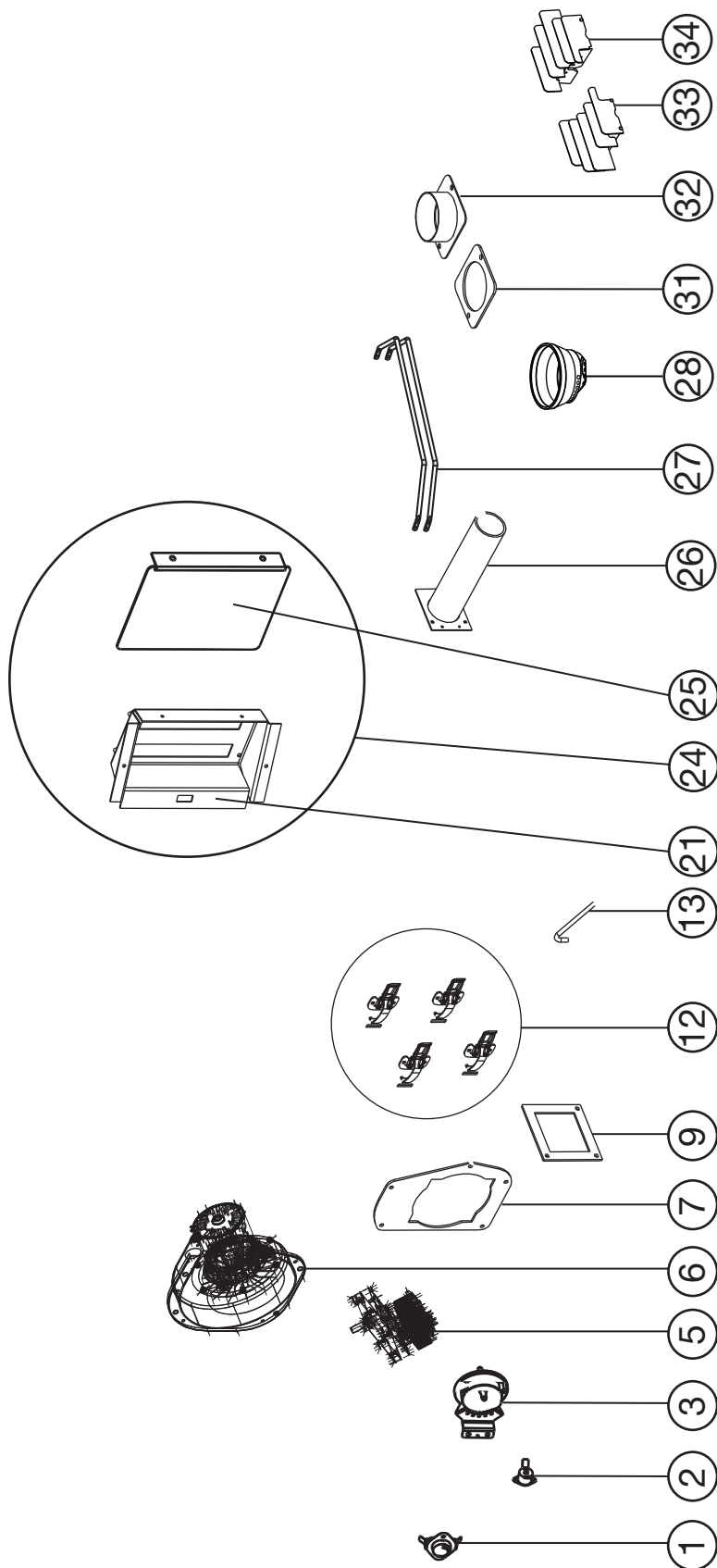
**PARTIES IDENTIFIÉES COMME GARNIE SERONT LIVRÉS DANS 2 À 5 JOURS POUR LA PLUPART DES DESTINATIONS DE LIVRAISON.**

**PIÈCES NON IDENTIFIÉES QUE STOCKÉS SERONT LIVRÉS DANS UN DÉLAI DE 2 À 4 SEMAINES POUR LA PLUPART DES CAS.**

**PIÈCES IDENTIFIÉES COMME « SO » SONT COMMANDE SPÉCIALE ET PEUVENT PRENDRE JUSQU'À 90 JOURS POUR LA LIVRAISON.**

FR

## 11.1 recharges communs



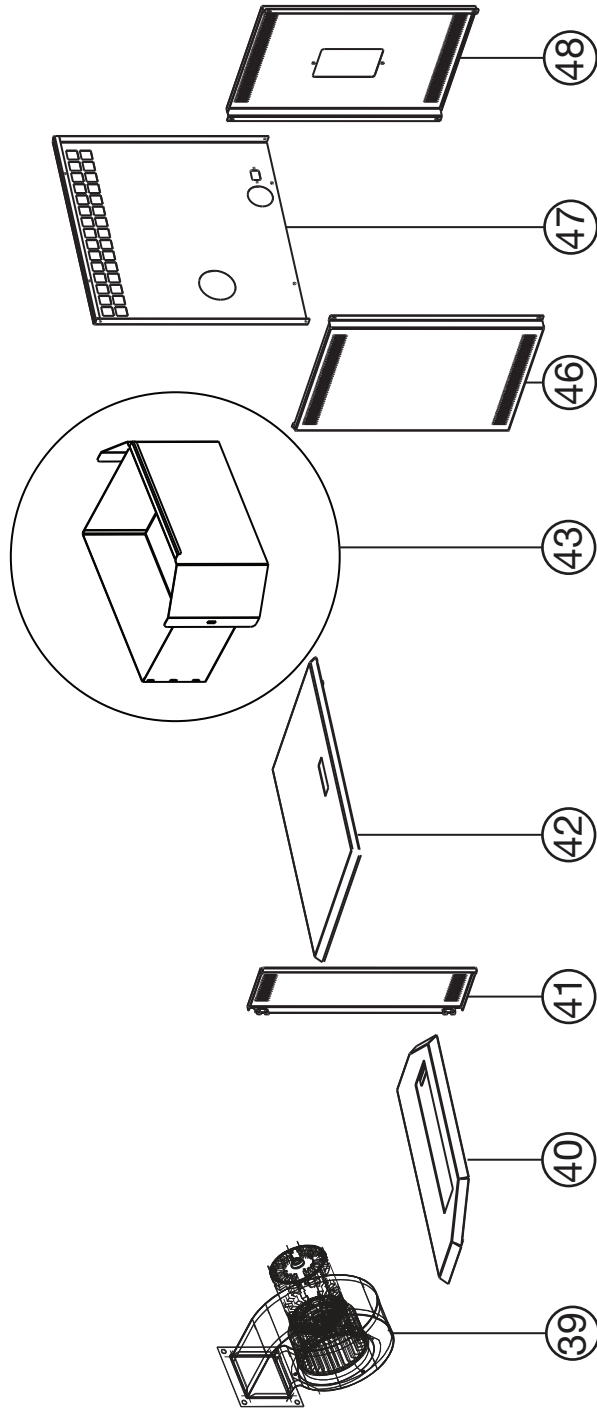
Ces articles peut différer de celle illustré.

| No. de Réf. | No. de Pièce  | Description   | En Stock |
|-------------|---------------|---|----------|
| 1           | W660-0052     | Interrupteur de basse temp. 140°F (60°C)              | Oui      |
| 2           | W660-0169     | Interrupteur de surchauffe 220°F (93°C)               | Oui      |
| 3           | W660-0056     | Interrupteur de pression                              | Oui      |
| 4*          | W195-0004     | Cordon d'alimentation                                 | Oui      |
| 5           | NPAM          | Moteur de vis sans fin                                | Oui      |
| 6           | W062-0027-SER | Ventilateur d'évacuation                              | Oui      |
| 7           | W290-0111     | Joint plat pour le moteur de ventilateur d'évacuation | Oui      |
| 8*          | W290-0120     | Joint d'étanchéité du ventilateur de convection       | Oui      |
| 9           | W290-0119     | Joint de ventilateur de convection                    |          |
| 10*         | W255-0020     | Tube à clapet   |          |
| 11*         | W570-0107     | Vis de la vis sans fin                                | Oui      |
| 12          | W390-0002     | Loquet de porte (X4)                                  |          |
| 13          | W555-0061     | Tuge autonettoyante                                   |          |
| 14*         | W105-0012     | Bague en nylon  | Oui      |
| 15*         | W485-0038     | Goupille fendue                                       |          |
| 16*         | W750-0383     | Harnais de fils                                       | Oui      |
| 17*         | W385-2010     | Logo Napoléon   | Oui      |

\* Partie non illustrée.

| No. de Réf. | No. de Pièce  | Description                                      | En Stock |
|-------------|---------------|--|----------|
| 18*         | W010-1528     | Porte du boîtier de commande                     |          |
| 19*         | W475-0555     | Panneau inférieur OI                             |          |
| 20*         | W010-1949-SER | Kit d'allumage                                   | Oui      |
| 21          | W390-0012     | Loquet du panneau de commande                    |          |
| 22*         | W010-1490     | Tube d'échappement                               |          |
| 23*         | W010-3872-SER | Allumeur   |          |
| 24          | W350-0361     | Boîtier de commande                              |          |
| 25          | W080-0932     | Support moteur                                   |          |
| 26          | W010-1491     | Assemblage de tube d'air de combustion           |          |
| 27          | W030-0022P    | Bar d'accent (x2)                                |          |
| 28          | W135-0320     | Cast, pot de brûleur                             | Oui      |
| 29*         | W430-0002     | Assemblage de fermeture de porte magnétique (x2) |          |
| 30*         | W460-0004     | Réceptacle                                       | Oui      |
| 31          | W290-0122     | Joint d'échappement                              | Oui      |
| 32          | W010-1612     | Collier d'échappement                            | Oui      |
| 33          | W010-1685     | Assemblage des ailettes gauche                   |          |
| 34          | W010-1673     | Assemblage des ailettes droite                   |          |

## 11.2 recharges de NSP45



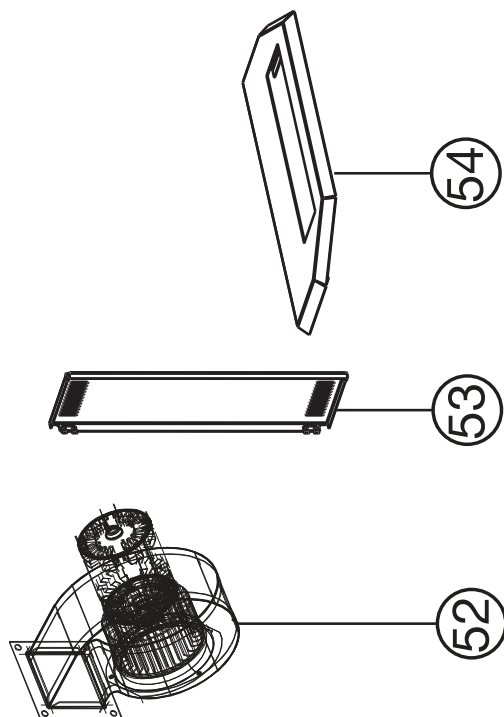
Ces articles peut différer de celle illustré.

| No. de Réf. | No. de Pièce | Description  | En Stock |
|-------------|--------------|--|----------|
| 39          | PSCB         | Ventilateur de convection                                | Oui      |
| 40          | W010-1508    | Assemblage du dessus soudé                               |          |
| 41          | W010-1527    | Assemblage de pa porte latérale                          |          |
| 42          | W010-1529    | Assemblage de la porte du réservoir                      |          |
| 43          | W010-1667    | Assemblage du contenant pour cendres                     |          |
| 44*         | W010-1668    | Assemblage de la porte latérale pour unité sur piédestal |          |
| 45*         | W035-0191    | Base du piédestal  |          |

\* Partie non illustrée.

| No. de Réf. | No. de Pièce | Description               | En Stock |
|-------------|--------------|---------------------------|----------|
| 46          | W475-0485    | Panneau extérieur, gauche |          |
| 47          | W475-0482    | Panneau arrière extérieur |          |
| 48          | W475-0484    | Panneau extérieur, droit  |          |
| 49*         | W562-0077    | Joint de piédestal        |          |
| 50*         | W660-0176    | Interrupteur, réservoir   | Oui      |
| 51*         | W750-0230    | Fil de dérivation (TGGT)  |          |

## 11.3 recharges de NPI45



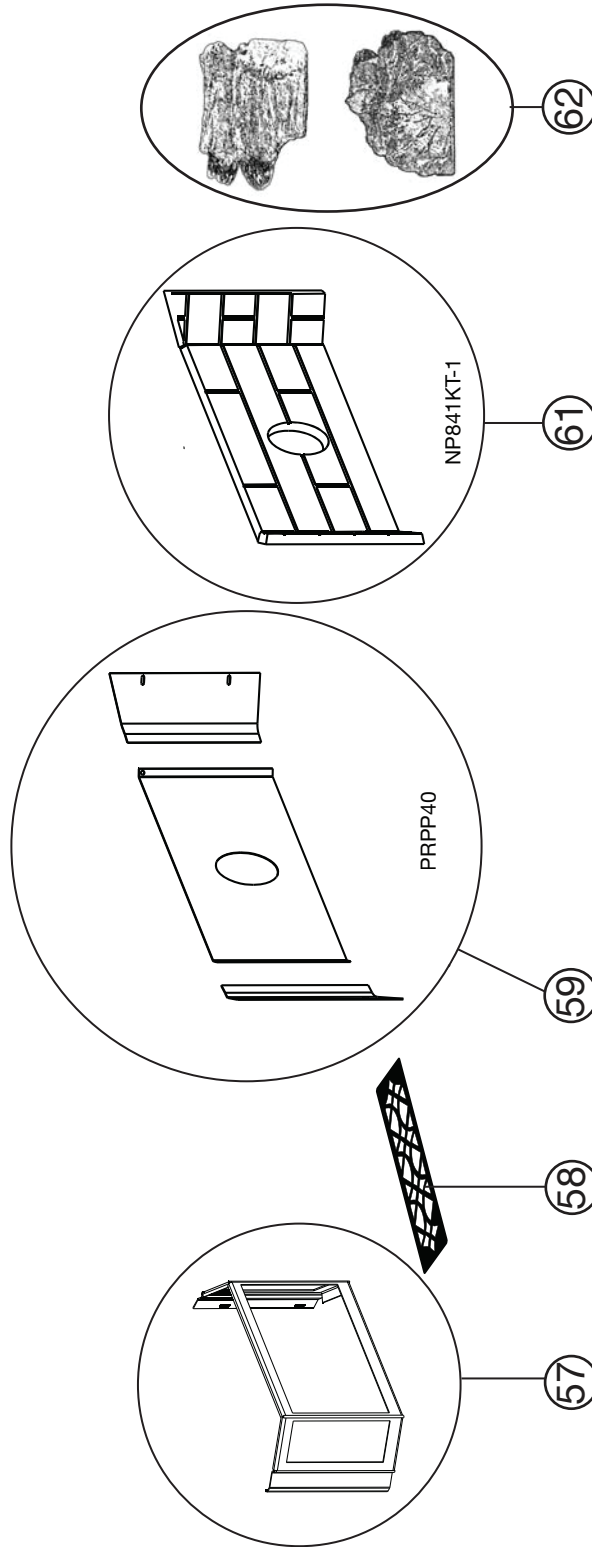
Ces articles peut différer de celle illustré.

| No. de Réf. | No. de Pièce | Description                                | En Stock |
|-------------|--------------|--|----------|
| 52          | PICB         | Ventilateur de convection                  | Oui      |
| 53          | W010-1670    | Assemblage de la porte latérale            |          |
| 54          | W010-1991    | Assemblage du couvercle de réservoir soudé |          |
| 55*         | W660-0084    | Interrupteur, réservoir                    |          |
| 56*         | W750-0230    | Fil de dérivation (TGGT)                   | Oui      |

\* Partie non illustrée.

## 12.0 accessoires

### 12.1 accessoires communs



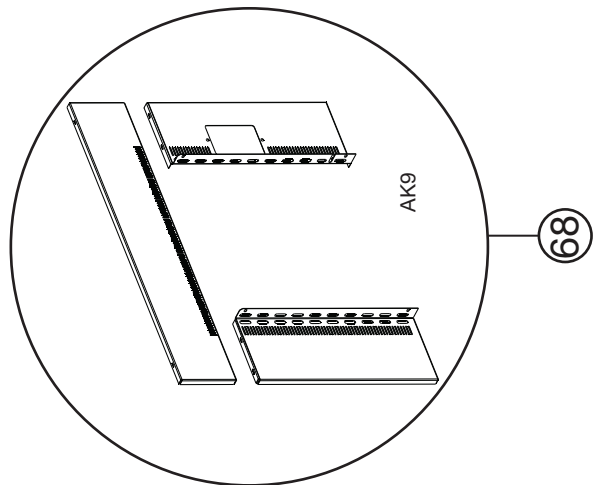
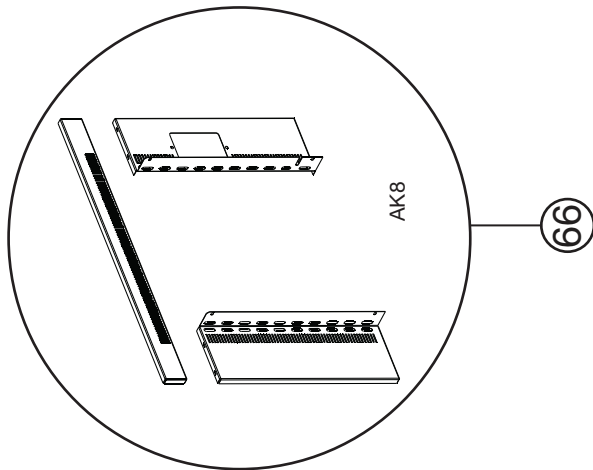
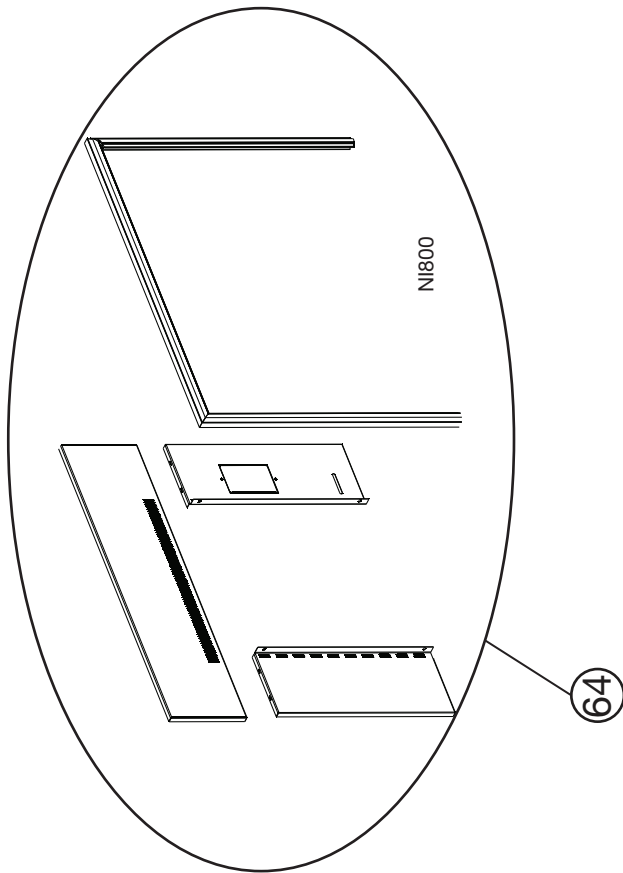
Ces articles peut différer de celle illustré.

| No. de Réf. | No. de Pièce | Description                           | En Stock |
|-------------|--------------|---------------------------------------|----------|
| 57          | W225-0195    | Châssis de porte noir                 |          |
| 57          | W225-0195G   | Châssis de porte plaqué or            |          |
| 57          | W225-0195SC  | Châssis de porte plaqué chrome satiné |          |
| 58          | GS200-G      | Grille ornementale, or                |          |
| 58          | GS200-SS     | Grille ornementale, chrome satiné     |          |

\* Partie non illustrée.

| No. de Réf. | No. de Pièce | Description                                | En Stock |
|-------------|--------------|--|----------|
| 59          | PRPP40       | Panneaux réflecteur radiants en porcelaine |          |
| 60*         | 114KT        | Pris d'air extérieur - 5pi (2" dia.)       |          |
| 61          | NP841KT-1    | Brique réfractaire                         |          |
| 62          | NPL41        | Ensemble de bûches                         |          |

12.2 accessoires de NPS45 / NPI45



Ces articles peut différer de celle illustré.

| No. de Réf. | No. de Pièce | Description                                | En Stock |
|-------------|--------------|--|----------|
| 63*         | NPHE40-1     | Extension de réservoir (NPS45 seulement)** |          |
| 64          | NI800        | Contour noir de 8" avec moulure noire      |          |
| 65*         | GICSK        | Contour arqué en fonte                     |          |
| 66          | AK8          | Kit d'adaptateur (requis pour GICSK)       |          |
| 67*         | CISM         | Contour en fonte, noir                     |          |

\*\* Augmente la capacité du réservoir à granules de 55lbs. à 100lbs.

\* Partie non illustrée.

| No. de Réf. | No. de Pièce | Description                         | En Stock |
|-------------|--------------|-------------------------------------|----------|
| 67*         | CISKN        | Contour en fonte, brun majolique    |          |
| 67*         | CISKB        | Contour en fonte, bleu majolique    |          |
| 67*         | CISKF        | Contour en fonte, vert majolique    |          |
| 68          | AK9          | Kit d'adaptateur (requis pour CISK) |          |



## 13.0 guide de dépannage

### ! AVERTISSEMENT

COUPEZ L'ALIMENTATION EN GAZ ET L'ALIMENTATION ÉLECTRIQUE AVANT DE PROCÉDER À L'ENTRETIEN DE L'APPAREIL.

L'APPAREIL PEUT ÊTRE CHAUD. ATTENDEZ QU'IL SOIT REFROIDI AVANT D'EN FAIRE L'ENTRETIEN.

N'UTILISEZ PAS DE PRODUITS ABRASIFS.

LORSQUE VOUS VÉRIFIEZ DES CONNEXION, QUE VOUS INSTALLEZ DES FILS DE DÉRIVATIONS (POUR EFFECTUER DES TESTS UNIQUEMENT) OU QUE VOUS REMPLACEZ DES COMPOSANTS, DÉBRANCHEZ L'APPAREIL DU RÉCEPTACLE AFIN D'ÉVITER LES CHOCS ÉLECTRIQUES OU DES DOMMAGES AUX COMPOSANTS.

**NOTE :** Plusieurs des essais suivants nécessiteront que les panneaux latéraux soient retirés ou que l'encastrement soit sorti de sa cavité pour permettre l'accès aux composants. Avant d'entreprendre le dépannage, assurez-vous toujours que tous les composants sont propres et exempts d'accumulation de cendre.

| SYMPTÔME  | SOLUTIONS   |
|---|---|
| <b>LE POÊLE S'ÉTEINT ET LE VOYANT #2 CLIGNOTE</b>   |   |
| Le boyau d'évacuation ou les raccords sont obstrués.  | - Décrochez le boyau d'air de l'interrupteur de pression et soufflez dedans. Si l'air circule librement, le boyau et le tube sont corrects. Si l'air ne circule pas dans le boyau, utilisez un cintre en métal pour débloquer le boyau.   |
| La prise d'air, le brûleur, les chambres d'air comburant internes, le ventilateur de combustion ou le conduit d'évacuation sont obstrués par la cendre ou d'autres matériaux. | - Suivez toutes les procédures de nettoyage dans la section entretien du manuel.  |
| L'appareil n'est pas bien scellé.   | - Assurez-vous que la porte est fermée et que le joint est en bon état. Si la porte du tiroir à cendres a un loquet, assurez-vous qu'il est verrouillé et que le joint est étanche.   |
| Le conduit d'évent n'est pas installé correctement.   | - Vérifier pour vous assurer que l'installation du conduit d'évent satisfait les critères dans le manuel.   |
| Les connexions de fils de l'interrupteur de pression sont incorrectes.  | - Vérifiez les connecteurs qui relient les fils bleus à l'interrupteur de pression.   |
| Les fils gris sont déserrés sur le connecteur du harnais de fils.   | - Vérifiez si les fils bleus sont déserrés sur le connecteur.   |
| Le ventilateur de combustion est en panne..   | - Avec le poêle allumé, vérifiez si le ventilateur de combustion fonctionne. S'il ne fonctionne pas, vous devez vérifier si le ventilateur de combustion est alimenté en courant. Le courant devrait être d'au moins 115 volts. S'il y a du courant, le ventilateur est défectueux. S'il n'y en a pas, voir la prochaine étape.   |
| Le tableau de commande n'envoie pas de courant au ventilateur de combustion.  | - Si le ventilateur de combustion n'est pas alimenté en courant, vérifiez toutes les connexions de fils. Si tous les fils sont bien branchés, le tableau de commande est défectueux.  |
| Le tableau de commande n'envoie pas de courant à l'interrupteur de pression.  | - Il devrait y avoir un courant de 5 volts (environ) qui alimente l'interrupteur de pression après que le poêle ait fonctionné pendant 30 secondes.   |
| L'interrupteur de pression est défectueux (très rare).  | - Pour tester l'interrupteur de pression, vous devrez débrancher le boyau d'air du poêle. Avec l'autre extrémité toujours fixée sur l'interrupteur de pression, aspirez très légèrement l'extrémité libre du boyau (nous vous conseillons de déconnecter entièrement le boyau du poêle et de l'interrupteur de pression pour vous assurer qu'il est libre de toute substance ou matière). Si vous entendez un clic, l'interrupteur de pression fonctionne. ATTENTION, UNE TROP GRANDE PRESSION NÉGATIVE ENDOMMAGERA L'INTERRUPTEUR DE PRESSION. |

FR

| SYMPTÔME   | SOLUTIONS   |
|--|---|
| <b>LE POËLE S'ÉTEINT ET LE VOYANT #3 CLIGNOTE</b>  |   |
| Il n'y a plus de granules dans le réservoir.   | - Remplissez le réservoir de granules.  |
| Le couvercle du réservoir est ouvert.  | - Fermez le couvercle du réservoir.   |
| Le brûleur n'est pas bien installé dans la chambre de combustion.  | - Assurez-vous que l'encoche de positionnement du brûleur s'insère dans l'allumeur et que le brûleur est à plat.  |
| Les trous du brûleur sont obstrués.  | - Retirez le brûleur et nettoyez-le bien.   |
| La prise d'air, les chambres internes ou le système d'évacuation sont partiellement bloqués.   | - Suivez toutes les procédures de nettoyage dans la section entretien du manuel.  |
| L'arbre de vis sans fin est bloqué.  | - Commencez par couper l'alimentation et vider le réservoir<br>- L'arbre de vis sans fin pourrait être bloqué. Pour plus d'information, voir la section « DANS L'ÉVENTUALITÉ OÙ LA VIS SANS FIN BLOQUE ».   |
| Le moteur de la vis sans fin ne fonctionne pas.  | - Retirez le moteur de la vis sans fin de l'arbre de vis sans fin et essayez de le faire fonctionner. Si le moteur tourne, l'arbre est coincé. Si le moteur ne tourne pas, le moteur est défectueux.  |
| L'interrupteur de basse température ne fonctionne pas bien.  | - Contournez temporairement l'interrupteur de basse température en débranchant les deux fils bruns, puis en les branchant ensemble avec un petit bout de fil électrique. Rebranchez ensuite l'appareil. S'il se remet en marche et qu'il fonctionne, alors vous devez remplacer l'interrupteur de basse température. ATTENTION : Cette procédure n'est qu'un test! Si l'interrupteur est contourné en permanence, les souffleries fonctionneront continuellement et la vis sans fin poursuivra l'alimentation même si le feu est éteint. Ne laissez pas l'interrupteur contourné. |
| Le fusible du tableau de commande a sauté.   | - Retirez le tableau de commande. Si le fusible a sauté, remplacez-le par un fusible de 5 A et de 250 volts. Rebranchez le poêle et essayez de le faire fonctionner.  |
| Le tableau de commande n'envoie pas de courant à l'interrupteur de basse température ou à d'autres composants du système de la vis sans fin.     | - Il devrait y avoir un courant de 5 volts (environ) qui alimente l'interrupteur de basse température après que le poêle ait fonctionné pendant 10 minutes.   |
| La flamme dans le brûleur s'est éteinte alors que la vitesse d'alimentation était à 1. Il reste quelques granules non consommés dans le brûleur. | - La vitesse d'alimentation est trop faible pour la qualité des granules utilisés et leur contenu en humidité. Diminuez le réglage de la soufflerie de combustion ou augmentez le réglage du moteur de la vis sans fin.   |
| <b>LE POËLE S'ÉTEINT ET LE VOYANT #4 CLIGNOTE</b>  |   |
| L'interrupteur de surchauffe s'est déclenché.  | - Même si cet interrupteur est à réenclenchement manuel, il devrait être réenclenché par un technicien qualifié après qu'il ait établi la cause de la défaillance.  |
| <b>LE POËLE S'ALIMENTE EN GRANULES, MAIS IL NE S'ALLUME PAS</b>  |   |
| Le tube d'allumage ou l'entrée du tube d'allumage est obstrué.   | - Assurez-vous que le trou de prise d'air n'est pas obstrué, il se trouve sur le côté du boîtier de l'allumeur derrière le mur pare-feu.  |
| Le brûleur n'est pas bien installé dans la chambre de combustion.  | - Assurez-vous que l'encoche de positionnement du brûleur s'insère dans l'allumeur et que le brûleur est à plat.  |
| L'allumeur est défectueux.   | - Alimentez l'allumeur directement en courant. Observez la pointe de l'allumeur à partir du devant du poêle. Après 2 minutes environ, cette pointe devrait rougeoier. Si elle ne rougeoie pas, l'allumeur est défectueux.   |

|   |   |
|---|---|
| Le brûleur n'est pas bien installé dans la chambre de combustion. | - Assurez-vous que l'encoche de positionnement du brûleur s'insère dans l'allumeur et que le brûleur est à plat.  |
| L'allumeur est défectueux.  | - Alimentez l'allumeur directement en courant. Observez la pointe de l'allumeur à partir du devant du poêle. Après 2 minutes environ, cette pointe devrait rougeoier. Si elle ne rougeoie pas, l'allumeur est défectueux.                         |
| Le tableau de commande n'envoie pas de courant à l'allumeur.      | - Vérifiez le voltage de l'allumeur durant le démarrage. Elle devrait être au maximum (115 volts). Si le voltage est moins que le maximum, vérifiez le filage. Si le filage est correct, cela signifie que le tableau de commande est défectueux. |

#### IL Y A UNE ODEUR DE FUMÉE DANS LA MAISON

|   |   |
|---|---|
| Il y a une fuite au niveau du système de conduits d'évent.              | - Inspectez toutes les connexions des conduits d'évent. Assurez-vous qu'elles sont scellées avec de la silicone RTV classée 260°C (500°F) ou plus. Scellez également les joints avec du ruban d'aluminium adhésif UL-181-AP. Assurez-vous également que l'adaptateur carré-rond du ventilateur de combustion a été scellé correctement avec la même silicone RTV. |
| Le joint d'étanchéité sur le ventilateur de combustion s'est détérioré. | - Inspectez les deux joints d'étanchéité sur le ventilateur de combustion pour vous assurer qu'ils sont en bon état.  |

FR

#### SYMPTOM

#### TEST SOLUTION

#### LE VENTILATEUR DE CONVECTION S'ÉTEINT ET SE RALLUME

|  |   |
|--|---|
| Le ventilateur de convection surchauffe et déclenche l'interrupteur de surchauffe. | - Essayer de lubrifier le ventilateur de convection. Nettoyez également la poussière qui se trouve sur les enroulements et les pales. Si la lubrification du ventilateur s'avère inutile, le ventilateur est peut-être défectueux.  |
| Mauvais fonctionnement du panneau de commande électronique.                        | - Testez le courant qui alimente le ventilateur de convection. Si du courant alimente le ventilateur lorsqu'il est éteint, le panneau de commande fonctionne bien. S'il n'y a PAS de courant qui alimente le ventilateur lorsqu'il s'éteint, le panneau de commande est défectueux. |

#### LE POÊLE N'EST PAS ALIMENTÉ EN GRANULES, MAIS LE VOYANT DE LA VIS SANS FIN S'ALLUME

|   |  |
|---|--|
| Le fusible du tableau de commande a sauté.                      | - Retirez le tableau de commande. Si le fusible a sauté, remplacez-le par un fusible de 5 A et de 250 volts. Rebranchez le poêle et essayez de le faire fonctionner.   |
| L'interrupteur de surchauffe s'est déclenché ou est défectueux. | - Laissez l'appareil refroidir pendant 30 à 45 minutes et il devrait bien fonctionner. Si ce n'est pas le cas, débranchez l'appareil et contournez momentanément l'interrupteur de surchauffe en débranchant les deux fils bruns et en les branchant avec un petit morceau de fil. Rebranchez ensuite l'appareil. S'il fonctionne, vous devez remplacer l'interrupteur de surchauffe. ATTENTION : Ceci sert à des fins de test seulement! Ne laissez pas l'interrupteur contourné. |
| Le moteur de la vis sans fin ne fonctionne pas.                 | - Retirez le moteur de la vis sans fin de l'arbre et essayez de faire fonctionner l'appareil. Si le moteur tourne, l'arbre est coincé. Si le moteur ne tourne pas, le moteur est défectueux.   |
| La vis sans fin est bloquée.                                    | - Commencez par vider le réservoir.<br>- L'arbre de vis sans fin pourrait être bloqué. Pour plus d'information, voir la section « DANS L'ÉVENTUALITÉ OÙ LA VIS SANS FIN BLOQUE ».  |
| Fil ou connecteur mal branché.                                  | - Vérifiez tous les fils et connecteurs branchés sur le moteur de la vis sans fin, l'interrupteur de surchauffe et le connecteur Molex.  |

#### LA VITRE S'ENCRASSE TRÈS RAPIDEMENT - LA FLAMME EST PARESSEUSE, SOMBRE ET SES POINTES SONT NOIRES LORSQUE LE POÊLE A FONCTIONNÉ PENDANT UN CERTAIN TEMPS, LE BRÛLEUR DÉBORDE

|  |   |
|--|---|
| Le poêle ou le conduit d'évacuation est sale ce qui réduit le passage d'air vers le brûleur. | - Suivez toutes les procédures de nettoyage dans la section « ENTRETIEN DU MANUEL ».  |
| Le conduit d'évent n'est pas installé correctement.  | - Assurez-vous que l'installation du conduit d'évent satisfait les critères dans le manuel.   |
| Les trous du brûleur sont obstrués.  | - Retirez le brûleur et nettoyez-le bien.   |
| Le conduit de prise d'air est obstrué.   | - Inspectez visuellement le conduit de prise d'air qui mène au brûleur pour vous assurer qu'il est exempt de matières étrangères.   |
| Mauvais fonctionnement de la carte de circuits imprimés.                                     | - Minutez la fréquence d'allumage du voyant d'alimentation à chaque réglage (après que le poêle a terminé le cycle de démarrage). Si le moteur de la vis sans fin fonctionne continuellement, la carte est défectueuse. |

**NOTE:** Lorsque le voyant vert clignote, cela est indiquant qu'il est en mode pilote ou faible consommation. Le réglage de lumière de niveau de chaleur ne changera pas, et sera toujours afficher le réglage manuel courant du niveau de chaleur. La seule façon pour indiquer qu'ils sont en pilote ou faible consommation, ce est quand le voyant d'alimentation clignote en vert.

|   |   |   |
|---|---|---|
| Mauvais granules (s'applique seulement à LA VITRE S'ENCRASSE TRÈS RAPIDEMENT) | - | La marque de granules ou le lot de granules utilisés sont peut-être de mauvaise qualité. Si possible,utilisez une autre marque de granules. Vous voudrez peut-être essayer des granules faits avec un autre type de bois (bois mous versus bois dur). Tous les types de bois ne brûlent pas de la même façon. |
|---|---|---|

|   |   |   |
|---|---|---|
| Le réglage de la soufflerie de combustion lorsque la vitesse d'alimentation est à « high » est trop bas (s'applique seulement à LA VITRE S'ENCRASSE TRÈS RAPIDEMENT). | - | Appuyez et maintenez enfoncés le bouton d'alimentation et le bouton de la soufflerie pointant vers le haut pour augmenter le réglage de la soufflerie de combustion. Si le voyant no 1 est allumé, l'appareil est au réglage le plus bas. Si seul le voyant no 3 est allumé, alors l'appareil est au réglage par défaut. Si le voyant no 5 est allumé, la soufflerie de combustion de l'appareil est au réglage le plus élevé. Si l'appareil fonctionne à un des réglages les plus bas, avancez au prochain réglage et essayez de faire fonctionner l'appareil. |
|---|---|---|

#### **FLAMME TRÈS ACTIVE EN MODE VEILLEUSE (VITESSE D'ALIMENTATION MINIMALE)**

|  |   |   |
|--|---|---|
| La flamme est très active au réglage d'alimentation le plus bas, la consommation de granules semble trop élevée. | - | Appuyez et maintenez enfoncés le bouton d'alimentation et le bouton de chaleur pointant vers le bas pour diminuer le réglage d'alimentation. Si seul le voyant no 3 est allumé, l'appareil est au réglage par défaut. Diminuez l'alimentation d'un réglage et le voyant no 2 s'allumera. Diminuez d'un autre réglage et le voyant no 1 s'allumera. Essayez de faire fonctionner l'appareil. |
|--|---|---|

#### **L'INTERRUPTEUR DE SURCHAUFFE SE DÉCLENCHE CONTINUELLEMENT**

|   |   |  |
|---|---|--|
| La soufflerie de convection surchauffe et déclenche l'interrupteur de surchauffe. | - | Nettoyez la poussière qui se trouve sur l'enroulement et les pales. Si le nettoyage de la soufflerie s'avère inutile, la soufflerie est peut-être défectueuse. |
|---|---|--|

|   |   |   |
|---|---|---|
| Situation de surcharge ou de baisse de tension. | - | Une surcharge de tension, une pointe ou une baisse de tension pourrait déclencher l'interrupteur de surchauffe.Vérifiez si un parasurtenseur est utilisé sur le poêle. Sinon, il est fortement recommandé d'en utiliser un. |
|---|---|---|

|   |   |   |
|---|---|---|
| Mauvais fonctionnement de l'interrupteur de surchauffe. | - | Vérifiez tous les autres composants. S'ils sont corrects, remplacez l'interrupteur de surchauffe. |
|---|---|---|

## 14.0 garantie

Les appareils aux granules NAPOLÉON sont fabriqués conformément aux normes rigoureuses du Système de Gestion de la Qualité mondialement reconnu ISO 9001 : 2015.

Les produits NAPOLÉON sont conçus avec des composants et des matériaux de qualité supérieure, assemblés par des artisans qualifiés qui sont fiers de leur travail. Une fois assemblé, chaque appareil est soigneusement inspecté par un technicien qualifié avant d'être emballé pour garantir que vous, le client, recevez le produit de qualité dont vous vous attendez de NAPOLÉON.

### GARANTIE À VIE LIMITÉE DU PRÉSIDENT DES APPAREILS AUX GRANULES NAPOLEON

Les matériaux suivants et la fabrication de votre nouvel appareil aux granules NAPOLÉON sont garantis contre les défauts tant que vous en êtes le propriétaire. Ceci couvre : le réservoir à granules, le caisson extérieur, la vitre en céramique (cassure thermique seulement) et le tiroir à cendres.\*

La chambre de combustion et l'échangeur de chaleur sont garantis contre les défauts pour une période de cinq ans. Les composants électriques (110 V et millivolt) et les pièces soumises à l'usure sont couverts et NAPOLÉON fournira gratuitement les pièces de rechange durant la première année de la garantie limitée. Ceci couvre: la ventilateur, les interrupteurs thermiques et le brûleur

Les coûts de main-d'oeuvre relatifs aux réparations garanties ne sont pas couverts.

\* La fabrication de chaque modèle varie. La garantie s'applique uniquement aux composants disponibles avec votre appareil.

### CONDITIONS ET LIMITATIONS

NAPOLÉON garantit ses produits contre les défauts de fabrication à l'acheteur d'origine seulement. L'enregistrement de la garantie n'est pas nécessaire. Fournissez simplement une preuve d'achat ainsi que le modèle et le numéro de série afin d'effectuer une réclamation de garantie. L'achat doit avoir été fait par l'entremise d'un détaillant NAPOLÉON autorisé et sous réserve des conditions et limitations suivantes :

La couverture de la garantie débute à partir de la date d'installation originale.

Cette garantie du fabricant n'est pas transférable et ne peut être prolongée ou étendue par aucun de nos représentants quelle qu'en soit la raison.

L'appareil aux granules doit être installé par un installateur ou un entrepreneur qualifié. L'installation doit être faite conformément aux instructions d'installation incluses avec le produit et à tous les codes d'incendie et de construction locaux et nationaux.

Cette garantie limitée ne couvre pas les dommages causés par un mauvais usage, un manque d'entretien, un accident, des altérations, des abus ou de la négligence. Faire fonctionner l'appareil au réglage maximal pendant des périodes prolongées constitue de la négligence. L'installation de pièces d'autres fabricants annulera cette garantie.

Cette garantie limitée ne couvre pas non plus les égratignures, les bossellements, la corrosion ou la décoloration causée par une chaleur excessive, des produits d'entretien chimiques et abrasifs ou l'écaillage des pièces en porcelaine émaillée ou tout composant de ventilation utilisé dans l'installation de l'appareil.

Au cours de la première année seulement, cette garantie s'étend à la réparation ou le remplacement des pièces garanties dont les matériaux ou la fabrication sont défectueux à la condition que le produit ait été utilisé conformément aux instructions de fonctionnement et dans des conditions normales.

Après la première année, concernant cette Garantie à Vie Limitée du Président, NAPOLÉON peut, à sa discrétion, se libérer entièrement de toutes obligations en ce qui concerne cette garantie en remboursant à l'acheteur d'origine le prix de gros de toute pièce garantie qui est défectueuse.

Après la première année, Wolf Steel Ltée ne sera pas responsable de l'installation, de la main-d'oeuvre ou autres coûts ou dépenses relatives à la réinstallation d'une pièce garantie, et de telles dépenses ne sont pas couvertes par cette garantie.

Nonobstant toutes les dispositions contenues dans cette Garantie à Vie Limitée du Président, la responsabilité de NAPOLÉON sous cette garantie est définie comme ci-dessus et elle ne s'étendra à aucun dommage accidentel, consécutif ou indirect.

Cette garantie définit l'obligation et la responsabilité de NAPOLÉON concernant l'appareil aux granules NAPOLÉON. Toute autre garantie énoncée ou implicite en ce qui concerne ce produit, ses composants ou accessoires est exclue.

NAPOLÉON n'endosse ni n'autorise aucun tiers à assumer en son nom, toutes autres responsabilités concernant la vente de ce produit. NAPOLÉON ne sera pas responsable pour : une surchauffe, des refoulements, des déversements causés par des conditions environnementales telles que des toits, des bâtiments, la proximité d'arbres, de collines, de montagnes, une ventilation ou des événements inadéquats, des configurations d'évacuation excessives, un apport d'air insuffisant ou des pressions négatives qui peuvent ou non être causées par des systèmes mécaniques tels que les ventilateurs d'évacuation, les fournaies, les sècheuses de linge, etc.

Tous dommages causés à l'appareil, à la chambre de combustion, à l'échangeur de chaleur, aux garnitures de laiton ou autre composant par l'eau, les dommages causés par les intempéries, de longues périodes d'humidité, la condensation, des produits chimiques ou des produits d'entretien nuisibles ne seront pas de la responsabilité de NAPOLÉON.

Le nettoyage régulier de la fine cendre générée durant le fonctionnement de cet appareil est nécessaire au bon entretien de votre appareil aux granules. Tout dommage aux composantes qui est attribuable à un manque d'entretien ne sera pas couvert par cette garantie.

NAPOLÉON se réserve le droit de demander à son représentant d'inspecter tout produit ou pièce avant d'honorer toute réclamation.

Toutes les pièces remplacées en vertu de la politique de Garantie à vie limitée du Président ne peuvent faire l'objet que d'une seule réclamation. Durant les dix premières années, NAPOLÉON remplacera ou réparera les pièces défectueuses qui sont couvertes par la garantie à vie limitée à sa discrétion gratuitement. Après les dix premières années, NAPOLÉON fournira les pièces de rechange à 50 % du prix de détail courant.

Toutes les pièces remplacées au titre de la garantie seront couvertes pour une période de 90 jours à partir de leur date d'installation.

Le fabricant peut exiger que les pièces défectueuses ou les produits soient retournés ou que des photos numériques soient fournies pour valider la réclamation. Les pièces retournées doivent être expédiées port payé au fabricant pour inspection en usine. Si un produit est déclaré défectueux, le fabricant le réparera ou le remplacera.

Avant d'expédier votre appareil ou les pièces défectueuses, votre détaillant doit obtenir un numéro d'autorisation. Toute marchandise expédiée à notre usine sans autorisation sera refusée et retournée à l'expéditeur.

Les coûts d'expédition ne sont pas couverts par cette garantie.

Des frais de service supplémentaires peuvent être appliqués si vous cherchez à obtenir des services au titre de la garantie auprès d'un détaillant.

Les frais de déplacement pour main-d'oeuvre, de tests de diagnostic, d'expédition et autres frais afférents ne sont pas couverts par cette garantie.

TOUTES LES SPÉCIFICATIONS ET LES CONCEPTIONS SONT SUJETTES À MODIFICATIONS SANS PRÉAVIS EN RAISON DES AMÉLIORATIONS CONSTANTES APPORTÉES AUX PRODUITS. NAPOLÉON EST UNE MARQUE DE COMMERCE DÉPOSÉE DE WOLF STEEL LTÉE.







# NAPOLÉON CÉLÈBRE PLUS DE 40 ANS D'EXISTENCE CONSACRÉS À LA CONCEPTION DE PRODUITS DE CONFORT



7200, Route Transcanadienne, Montréal, Québec H4T 1A3  
24 Napoleon Road, Barrie, Ontario, Canada L4M 0G8  
214 Bayview Drive, Barrie, Ontario, Canada L4N 4Y8  
103 Miller Drive, Crittenden, Kentucky, USA 41030

Téléphone: 1-866-820-8686  
[napoleonproducts.com](http://napoleonproducts.com)