

NAPOLEON



STARfire™ Series Gas Fireplaces
napoleonfireplaces.com



The STARfire™ Series Gas Fireplaces. Endless Choices.

Created with Napoleon's state-of-the-art gas fireplace technology, the STARfire™ Series offers a wide range of heat output and advanced burner technology.

The STARfire™ Series offers something for everyone with three distinct burner choices. The realistic hand painted TALL FLAME PHAZER® log set is rich in detail and creates a towering show of flames, the PHAZER® OAK log set disburses flames across the width of the firebox for a traditional hand built fire appearance, and the Fire Cradle hosts a bed of dazzling CRYSTALINE™ glass embers that glitter under the mass flame for a modern spectacle.

Additional media kits and enhancement kits are available to create your own personal look, ensuring a fireplace experience you will love today and forever.



Napoleon's Hot Spots Research Study delivers insights on key areas of the home. In particular, how to help you add relaxation, social interaction and functionality to rooms to enhance your memorable moments.

Throughout this brochure we will share some of our insights with you.

For more inspiration visit napoleonfireplaces.com/inspiration



We are proud to be recognized as one of Canada's Best Managed Companies and are dedicated to providing quality, home comfort products for over 40 years and counting.





The STARfire™ 52 shown with the PHAZER® OAK Log Set and Newport™ Decorative Brick Panels



The STARfire™ 35 shown with the PHAZER™ OAK log set and Custom Blend LEDGEROCK Decorative Brick Panels.

STARfire™ 35

Direct Vent Fireplace



HDX35

Up to 35,000 BTU's

42 3/4" h x 43 3/8" w x 20 1/8" d

Available in natural gas or propane



Napoleon's Hot Spots Research Study divulges how over **90%** of people surveyed strongly desire a fireplace in the family / living room.

For more detailed specifications on this unit, see page 11

STARfire™ 52

Direct Vent Fireplace



HDX52-2

Up to 55,000 BTU's

54 13/16" h x 56 7/8" w x 29 1/8" d

Available in natural gas or propane



Burner Options



Fire Cradle



PHAZER[®] OAK Log Set



TALL FLAME PHAZER[®] Log Set

- Three burner options create more choices for individuals, while ensuring you a fireplace you will love forever.
- A modern Fire Cradle places beautiful CRYSTALINE[™] glass embers on display at the base of a stunning flame.
- The PHAZER[®] OAK log set visually creates an authentic built firewood experience.
- The Tall Flame PHAZER[®] log set houses a towering flame for a powerful and impressive focal point.





Surrounds & Decorative Fronts



Safety Barrier Front

Available with a commercial safety barrier or **PREMIUM** safety barrier



Decorative Safety Barrier Front

Available with a commercial safety barrier or **PREMIUM** safety barrier



Decorative Rectangular Surround - Wrought Iron



Decorative Arched Surround - Wrought Iron

Decorative Panels



**Antique White LEDGEROCK
Decorative Brick Panels**



**Custom Blend LEDGEROCK
Decorative Brick Panels**



**Herringbone Decorative
Brick Panels**



**Newport™ Deluxe Decorative
Brick Panels**



**Cappuccino MIRRO-FLAME™ Porcelain
Reflective Radiant Panels**



**Platinum MIRRO-FLAME™ Porcelain
Reflective Radiant Panels**



**Black MIRRO-FLAME™ Porcelain
Reflective Radiant Panels**

Decorative Panels allow you to “dress up” your fireplace. Add a brick kit to create an authentic wood masonry appearance. Match your pre-existing decor with four style choices to choose from.

Choose to add a MIRRO-FLAME™ Porcelain Reflective Radiant Panel in one of three colors to echo and maximize the fireplace’s flame.

Media Options



Glass Media Kit – Blue



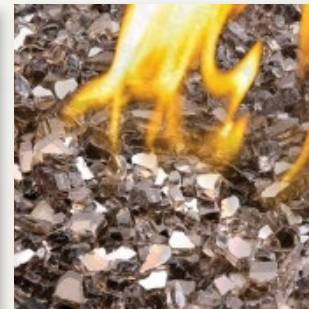
Glass Media Kit – Clear



Glass Media Kit – Red



Glass Media Kit – Black



Glass Media Kit – Topaz



Glass Media Kit – Amber

Customize to your heart's content with the decorative media options.

The Fire Cradle burner is home to the CRYSTALINE™ glass embers. Want a different color glass? Change it to one of five alternative colors and enjoy the shine and shimmer reflected from the flames within the fire cradle.

Imitate picturesque natural landscapes with Beach Fire driftwood logs combined with Mineral Rocks.



Mineral Rock Kit



Driftwood Log and Rock Media Enhancement Kit

Features

- Exclusive Napoleon **NIGHT LIGHT™** radiates a warm glow to the room even when the fireplace is off
- Back-up control system ensures reliable use, even during power failures
- Choice of Fire Cradle with **CRYSTALINE™** glass or two different **PHAZER™** log set burner assemblies
- Choose from decorative or classic front, both come complete with screen
- Optional **MIRRO-FLAME™** Porcelain Reflective Radiant Panels in Black, Platinum or Cappuccino
- Optional brick kits in Antique White LEDGEROCK, Custom Blend LEDGEROCK, Newport™ or Herringbone
- Optional glass ember media kits in black, blue, red, amber, clear and topaz to replace or add to the CRYSTALLINE™ ember bed
- Optional Driftwood Log and Rock Media enhancement kit available. Comes with four driftwood logs and a variety of mineral rocks
- Optional **AMBIENT-GLOW™** metal fibers are designed to enhance the glowing embers on gas fires

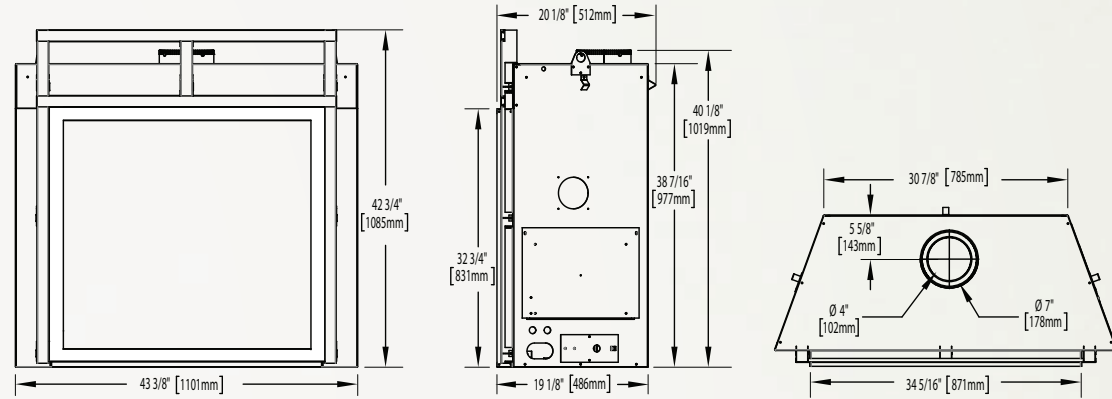


Remote Control Included

STARfire™ 35

Shown on pages 4

*Fronts/Surrounds may change unit dimensions

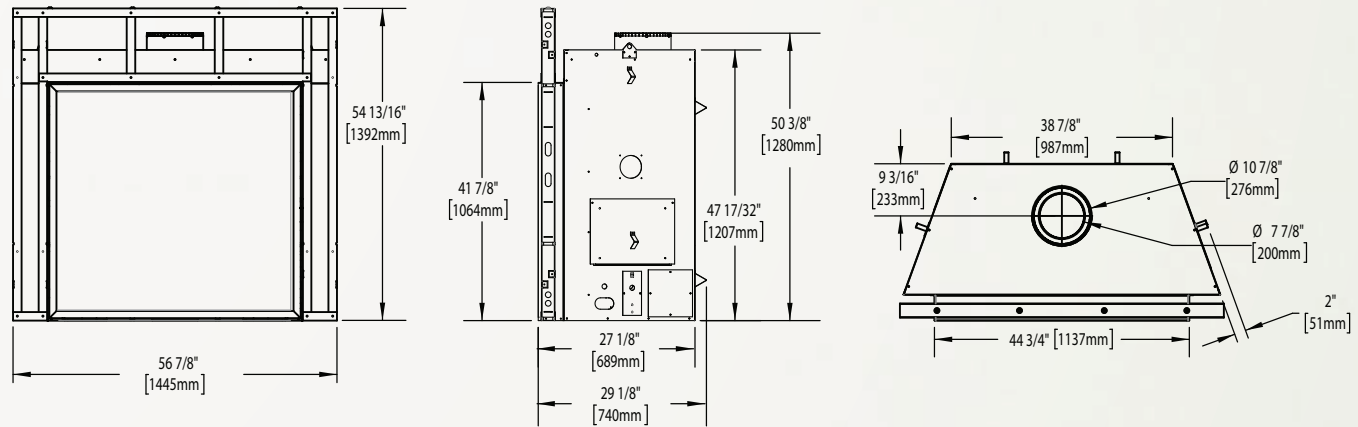


Model	BTU's (Input)		Venting 4" x 7"	Height		Front Width		Depth		Glass Type	Glass Size		Glass Area (sq. in.)	Efficiencies		Blower	Mobile Home Certified	Electronic Ignition
	Natural Gas	Propane		Actual	Framing	Actual	Framing	Actual	Framing		Height	Width		EnerGuide	Steady State			
HDX35	35,000	35,000	Top	42 3/4"	43"	43 3/8"	43 3/8"	20 1/8"	19 1/8"	Ceramic	31 1/8"	28 5/32"	876	68.9%	66.7%	Optional	Yes	Yes

STARfire™ 52

Shown on pages 5

*Fronts/Surrounds may change unit dimensions



Model	BTU's (Input)		Venting 8" x 10"	Height		Front Width		Depth		Glass Type	Glass Size		Glass Area (sq. in.)	Efficiencies		Blower	Mobile Home Certified	Electronic Ignition
	Natural Gas	Propane		Actual	Framing	Actual	Framing	Actual	Framing		Height	Width		EnerGuide	Steady State			
HDX52-2	55,000	55,000	Top	54 13/16"	55 1/4"	56 7/8"	57 3/8"	29 1/8"	29 3/8"	Ceramic	37 1/2"	41 3/4"	1566	65.2%	53.6%	Optional	Yes	Yes

Certified under Canadian and American National Standards.



NAPOLEON - CELEBRATING OVER 40 YEARS OF HOME COMFORT PRODUCTS

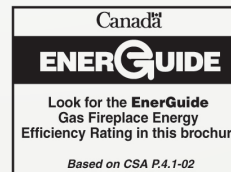


24 Napoleon Road, Barrie, Ontario, Canada L4M 0G8
103 Miller Drive, Crittenden, Kentucky, USA 41030
7200 Trans Canada Highway, Montreal, Quebec, Canada H4T 1A3

Tel: 1-866-820-8686
napoleonfireplaces.com



Authorized Dealer



Consult your owner's manual for complete installation instructions and proper clearances to combustible materials. Check all local and national building codes and gas regulations. All specifications are subject to change without prior notice due to on-going product improvements. Products may not be exactly as shown. Flame height and activity is influenced by varying vent configurations and may not appear as shown. Napoleon® is a registered trademark of Wolf Steel Ltd. © Wolf Steel Ltd. EnerGuide - A Canadian efficiency standard based on frequent, short start-up and cool-down cycles. All appliances sold in Canada are subject to this EnerGuide rating system. AFUE - A US efficiency standard (Department of Energy) based on extended on/off cycles, more typical of fireplace usage. Steady State - Reflects the highest possible overall heating efficiency.