

PELLET STOVES  
& INSERTS



www.regency-fire.com



**PELLET STOVES  
& INSERTS**

# WHY CHOOSE REGENCY?

## CLEAN BURN HEATING SOLUTIONS

In 1979, I founded Regency Fireplace Products with a mission to produce the finest fireplace products available anywhere. Today, Regency continues to be honored with awards for exceptional aesthetics & performance, a testament to our reputation as the premium fireplace brand.

## SAVE MONEY... ZONE HEAT

Home heating costs have never been higher. Turn your furnace way down and zone heat with beautiful, renewable pellet energy in the rooms you spend time in. Not only can you cut your fuel bills in half, but you'll be able to spend more time doing the things you love. Easy to use, smoke free and highly efficient, there is nothing like using pellets to heat your home.

## REGENCY QUALITY

Regency maintains the highest standards for quality and safety. Supported by an exceptional team, state of the art research and a world class manufacturing facility, Regency dealers are committed to your satisfaction; because that's what matters most.

## LIFETIME GUARANTEE

I'm so confident in the quality of our workmanship, our fine material selection, and the durable, heavy-duty construction we invest into every product, I offer industry's best Limited Lifetime Warranty. I know you'll be as proud of your Regency as I am - I guarantee it.



Robert Little

**Founder & CEO**



# TABLE OF CONTENTS

*Hampton*  
**GCi60 & GC60**      **04**

*Greenfire*  
**GFi55 , GF55**      **06**  
**GF40**      **08**

*Technical Specs*      **09**





Hampton GCi60 biomass pellet insert shown with ceramic log set.

## HAMPTON® | GCi60 · GC60 Biomass Pellet Insert & Stove

### INEXPENSIVE OPERATION

Our Hampton biomass pellet collection beautifully combines the best features of traditional cast iron with the latest developments in alternative fuel technology. Designed to burn wood, corn, wheat and barley pellets, these models offer maximum heat efficiency and very cost effective home heating.

### PRICELESS DESIGN

Experience the most impressive pellet flame in the industry. Supported by a patent pending low maintenance burner, the Hampton GCi60 and GC60 require less cleaning and provide high heat efficiency.

SPECIFICATIONS	GCi60	GC60
BTU Input (on high)*	55,000	55,000
BTU Input (on low)*	10,000	10,000
Optimum Efficiency	83.5%	76.6%
Emissions (grams/hour)	1.0 g	1.0 g
Fuel Capacity (hopper size)	60 lbs	60 lbs
Burn Time (typical)	up to 36 hrs.	up to 36 hrs.
Room Size / Area Heated**	up to 2,500 sq. ft.	up to 2,500 sq. ft.
Weight	500 lbs	504 lbs
Max. Power usage (ignitor on)	504 Watts	504 Watts
Operating Power usage	200 Watts	200 Watts
Vent Size	4"	4"
Viewing Area	232 sq. in.	232 sq. in.

#### MINIMUM FIREPLACE OPENING (GCi60 ONLY)

Width (front)	27"
Height	23"
Depth	16"

\* Figure will vary with individual conditions and fuel quality.

\*\* Figure will vary with floor plan, house layout / heat loss of the house and quality of pellets used.



*Hampton GC60 biomass pellet stove shown with ceramic log set.*

BURN TIME  
up to  
**36 HOURS\***

## STANDARD FEATURES

- Ability to burn a variety of biomass pellet fuels:  
high grade to low grade wood, corn, wheat and barley
- Durable cast iron exterior provides beautiful radiant heat
- Fluted cast iron liner
- Low maintenance burner with agitator rod in the burn pot
- Reduced cleaning intervals compared to other pellet stoves
- Quick start automatic (400 watts) ignitor with air pump
- 200 CFM convection variable speed blower
- Standard wall thermostat
- Concealed, easy-to-use controls with Tri-mode operating system (Manual – Hi/Lo – Auto/Off)
- Advanced air wash system for cleaner glass
- Mobile home approved (GC60 only)
- Large concealed ash drawer

## OPTIONS

- Ceramic one piece log set
- Oversize filler panel (GCi60 only)





Greenfire GF55 pellet insert with antique copper door overlay and ceramic log set.

## GREENFIRE™ | GF55 · GF55 Wood Pellet Insert & Stove

### RELIABLE WOOD PELLET TECHNOLOGY

Regency Greenfire™ pellet stoves and home heater inserts are quiet, inexpensive, efficient and built to last. Designed to operate automatically with a standard ignitor, the GF55 and GF55 invite you to start and control the comfort of your home with a simple button push.

### EXCEPTIONAL FIRE

Enjoy a large bay window that provides a bigger fire view and maximum radiant heat dispersal. The freestanding design of the GF55 affords flexible installation, while the adjustable hopper on the GF55 allows it to fit into fireplaces with openings as low as 19.5 inches.

SPECIFICATIONS	GF55	GF55
BTU Input (on high)*	45,000	45,000
BTU Input (on low)*	12,000	12,000
Optimum Efficiency	75.8%	75.8%
Emissions (grams/hour)	2.0 g	2.0 g
Fuel Capacity (hopper size)	55 lbs	55 lbs
Burn Time (typical)	up to 36 hrs.	up to 36 hrs.
Room Size / Area Heated**	up to 2,000 sq. ft.	up to 2,000 sq. ft.
Max. Power usage (ignitor on)	520 Watts	520 Watts
Operating Power usage	200 Watts	200 Watts
Vent Size	3"	3"
Viewing Area	161 sq. in.	161 sq. in.

#### MINIMUM FIREPLACE OPENING (GF55 ONLY)

Width (front)	26"
Height	19-1/2" - 22-3/4"
Depth	15"

\* Figure will vary with individual conditions and fuel quality.

\*\* Figure will vary with floor plan, house layout / heat loss of the house and quality of pellets used.



Greenfire GF55 pellet stove shown with brushed nickel door overlay and ceramic log set.

BURN TIME  
up to  
**36 HOURS\***

## STANDARD FEATURES

- Large arched bay door
- Black door overlay
- Steel fluted liner panels
- Hidden door handle
- Decorative black grilles
- Heavy-duty heat exchanger
- Large full pedestal ash drawer (GF55 model)
- Large concealed ash drawer (GF55 model)
- Large 55 lb hopper with easy access lid and recessed handle
- Adjustable hopper height (GF55) from 22.75" to 19.5"
- 160 CFM convection variable speed blower
- Concealed, easy-to-use controls with Tri-mode operating system (Manual – Hi/Lo – Auto/Off)
- Quick start ignitor (300 Watts)
- Mobile home approved (GF55 only)

## OPTIONS

- Antique copper door overlay
- Brushed nickel door overlay
- Ceramic one piece log set
- Regular or oversize faceplate (GF55)





Greenfire GF40 shown with hearth pad.

## GREENFIRE™ | GF40 Wood Pellet Stove

### MODERN, COMPACT DESIGN

The GF40 small freestanding pellet stove features a modern compact design that heats your room evenly and efficiently. Put up your feet and enjoy the warmth, while the quick start automatic ignitor and large, multi-tube heat exchanger do all the work.

SPECIFICATIONS	GF40
BTU Input (on high)*	30,000
BTU Input (on low)*	8,000
Optimum Efficiency	78%
Emissions (grams/hour)	1.6 g
Fuel Capacity (hopper size)	up to 67 lbs
Burn Time (typical)	up to 36 hrs.
Room Size / Area Heated**	up to 1,200 sq. ft.
Weight	230 lbs
Max. Power usage (ignitor on)	475 Watts
Operating Power usage	215 Watts
Vent Size	3"
Viewing Area	124 sq. in.

\* Figure will vary with individual conditions and fuel quality.

\*\* Figure will vary with floor plan, house layout / heat loss of the house and quality of pellets used.

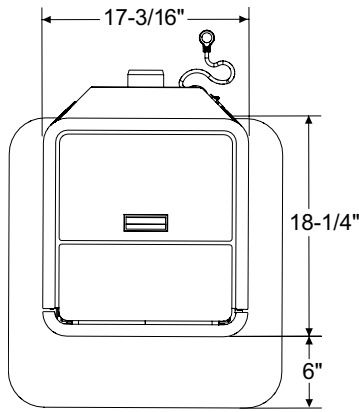
### STANDARD FEATURES

- Ability to burn a variety of pellet fuels - high grade to low grade wood pellets
- Low maintenance burner and easy to clean burn pot
- Concealed, easy-to-use controls with Tri-mode operating system (Manual - Hi/Lo - Auto/Off)
- Large multi-tube heat exchanger
- 130 CFM convection variable speed blower
- Mobile home approved
- Quick start automatic (400 watt) ignitor
- Large concealed ash drawer
- Standard matching hearth pad

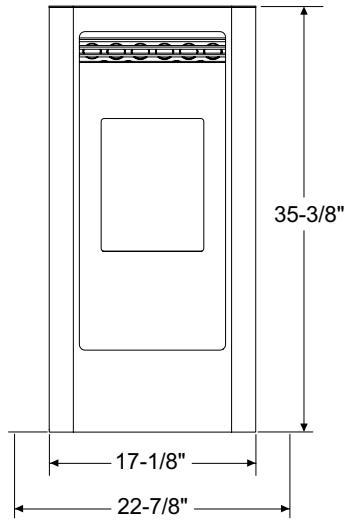




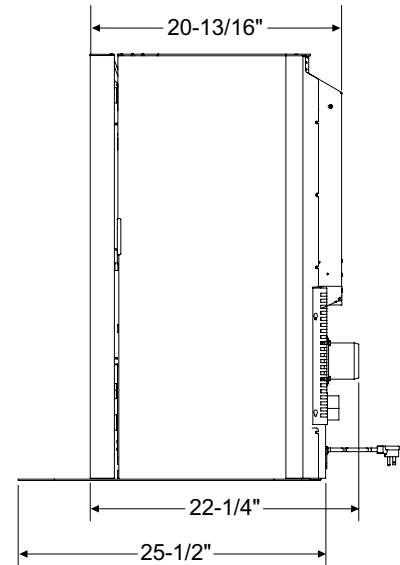
# SPECIFICATIONS - GF40 WOOD PELLET STOVE



TOP

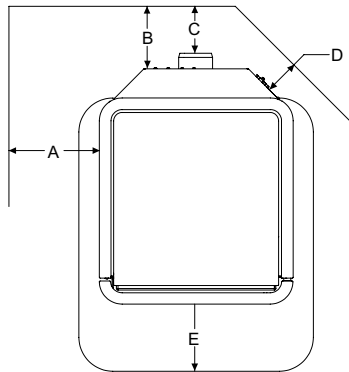


FRONT

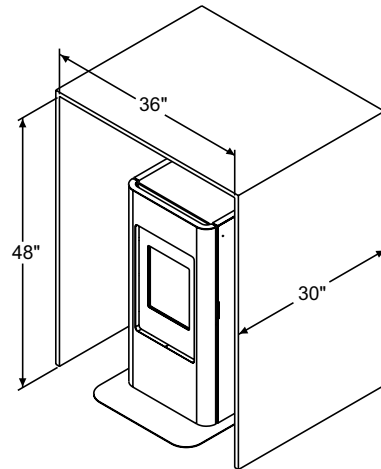


SIDE

## CLEARANCES



## MIN. ALCOVE CLEARANCES

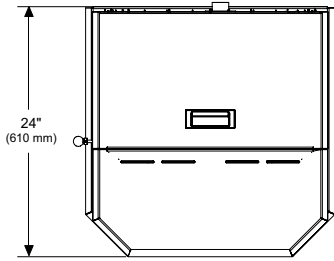


CLEARANCES TO COMBUSTIBLES		
A	Side wall to unit	8"
B	Back wall to unit	5-1/2"
C	Back wall to chimney connector	4"
D	Corner to unit	3"
E	Glass to hearth pad	6"

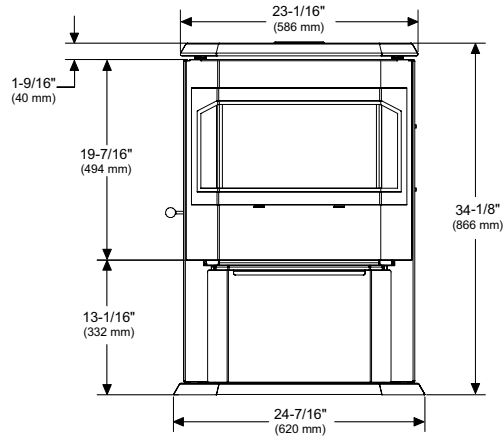
NOTE: All product specifications are subject to change without notice. Before installing refer to the relevant product manual for full and up to date information.

# SPECIFICATIONS - GREENFIRE STOVE & INSERT

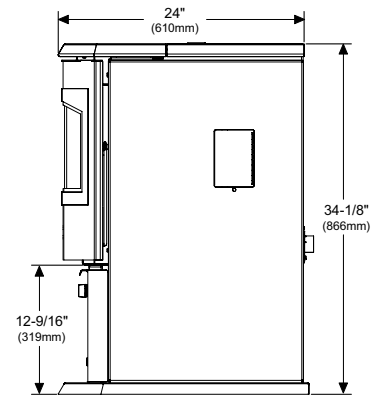
## GF55 PELLET STOVE



TOP

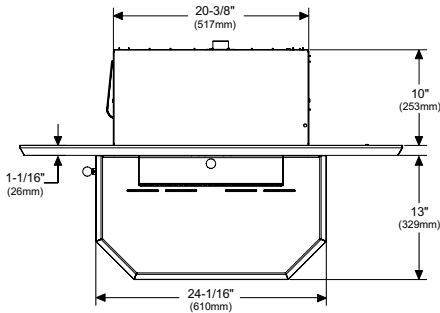


FRONT

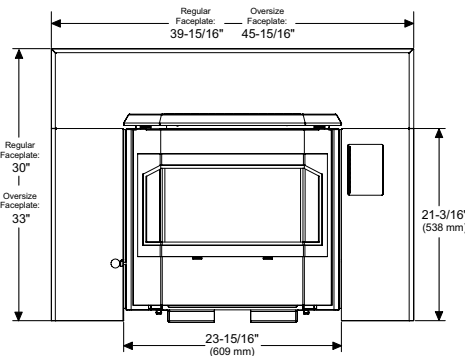


SIDE

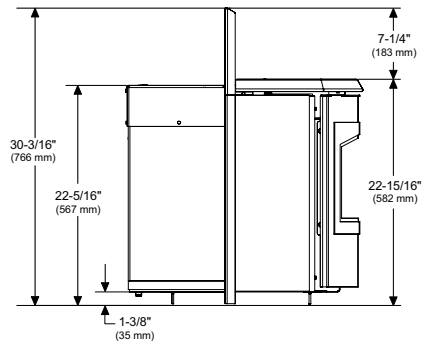
## GF155 PELLET INSERT



TOP

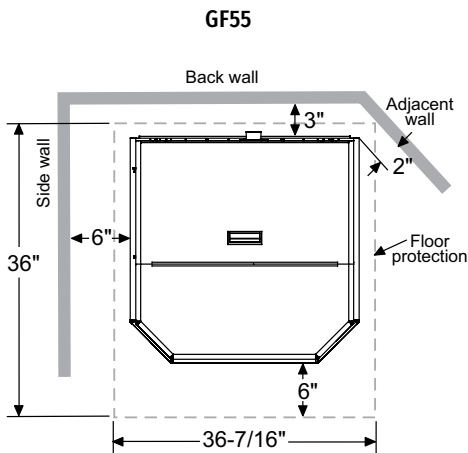


FRONT

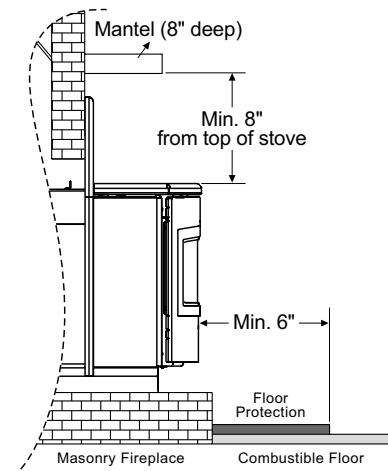


SIDE

## CLEARANCES



GF55

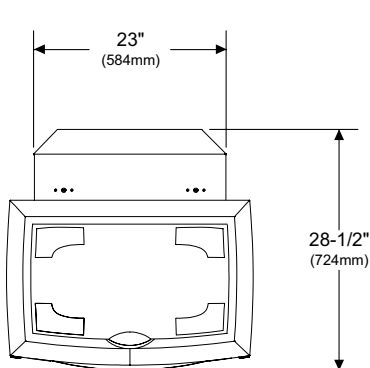


GF155

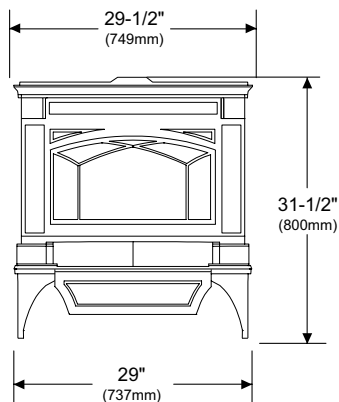
MIN. FIREPLACE OPENING	
Height - 55 lbs hopper (standard)	22-3/4"
Height - 42 lbs hopper (adjusted)	19-1/2"
Width	26"
Depth	15"

# SPECIFICATIONS - HAMPTON STOVE & INSERT

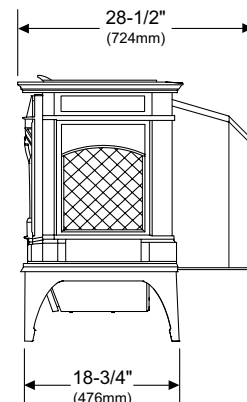
## GC60 PELLET STOVE



TOP

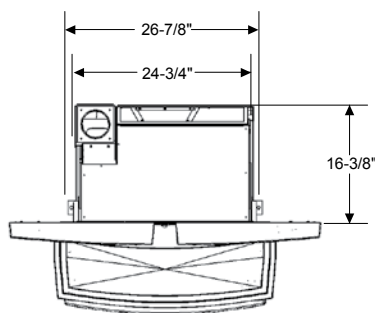


FRONT

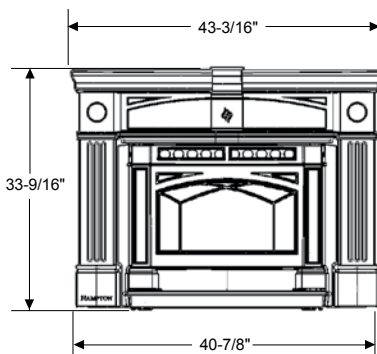


SIDE

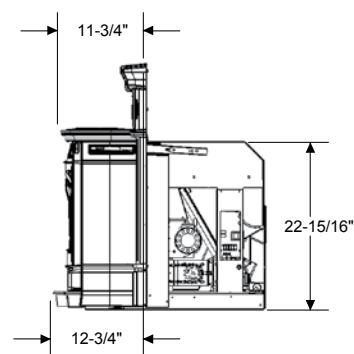
## GCi60 PELLET INSERT



TOP

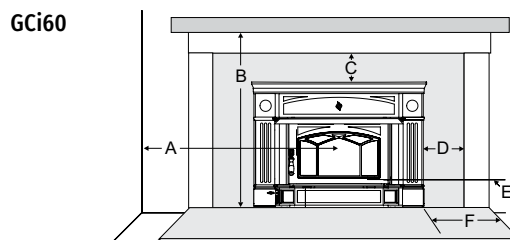
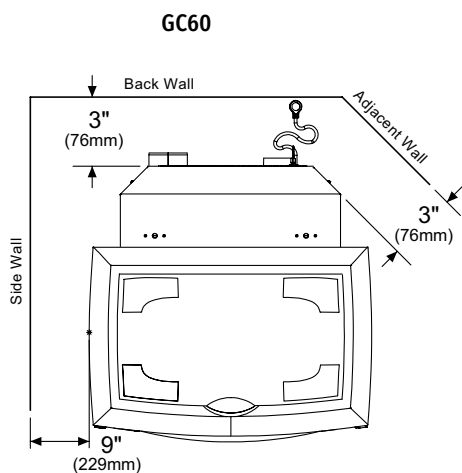


FRONT



SIDE

## CLEARANCES



### MASONRY & FACTORY BUILT FIREPLACE CLEARANCES

The minimum required clearances to combustible materials when installed into a masonry fireplace are:

	Adjacent Side Wall (from center)	Mantel (12") (bottom unit)	Top Facing (top faceplate)	Adjacent Side Wall (from faceplate)	Min. Hearth Extension (from door opening)	Min. Hearth Side Extension (from side of unit)
	A	B	C	D	E	F
GCi60	24"	33"	0"	2"	6"	6"

NOTE: All product specifications are subject to change without notice. Before installing refer to the relevant product manual for full and up-to-date information.

## PELLET PRODUCT - A GREEN CHOICE



### RENEWABLE ENERGY

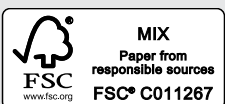
Pellets are derived from renewable natural resources. Well-managed forests and crops offer a renewable, sustainable source of energy that helps reduce greenhouse gas emissions so we can be less dependent on oil & gas.

### PELLET BURNING IS CARBON NEUTRAL

As plants grow, they absorb carbon dioxide from the atmosphere. When plants die and decompose, the carbon stored in them is released into the atmosphere as carbon dioxide. Burning pellets is carbon neutral because burning pellets produce the same amount of carbon dioxide as they absorb during their life cycle.

### EPA CERTIFIED

All Regency products have been tested and certified to the strictest clean air standard as set by the Environmental Protection Agency. Rated among the highest efficiency units, all Regency pellet stoves heat between 1,200 - 2,500 square feet and come with adjustable heat management options.



your Regency dealer

[www.regency-fire.com](http://www.regency-fire.com)

Approved for sale in United States & Canada.  
UL-1482/ULC S627; CSAB366.2M/ULC S628; UL907/UL-127 ULC S610.

©2018 FPI Fireplace Products International Ltd. Greenfire™, Regency®, Hampton® are registered or proprietary trademarks of FPI Fireplace Products International Ltd.

All rights reserved. Printed in Canada (07/18)

Part no. 944-407